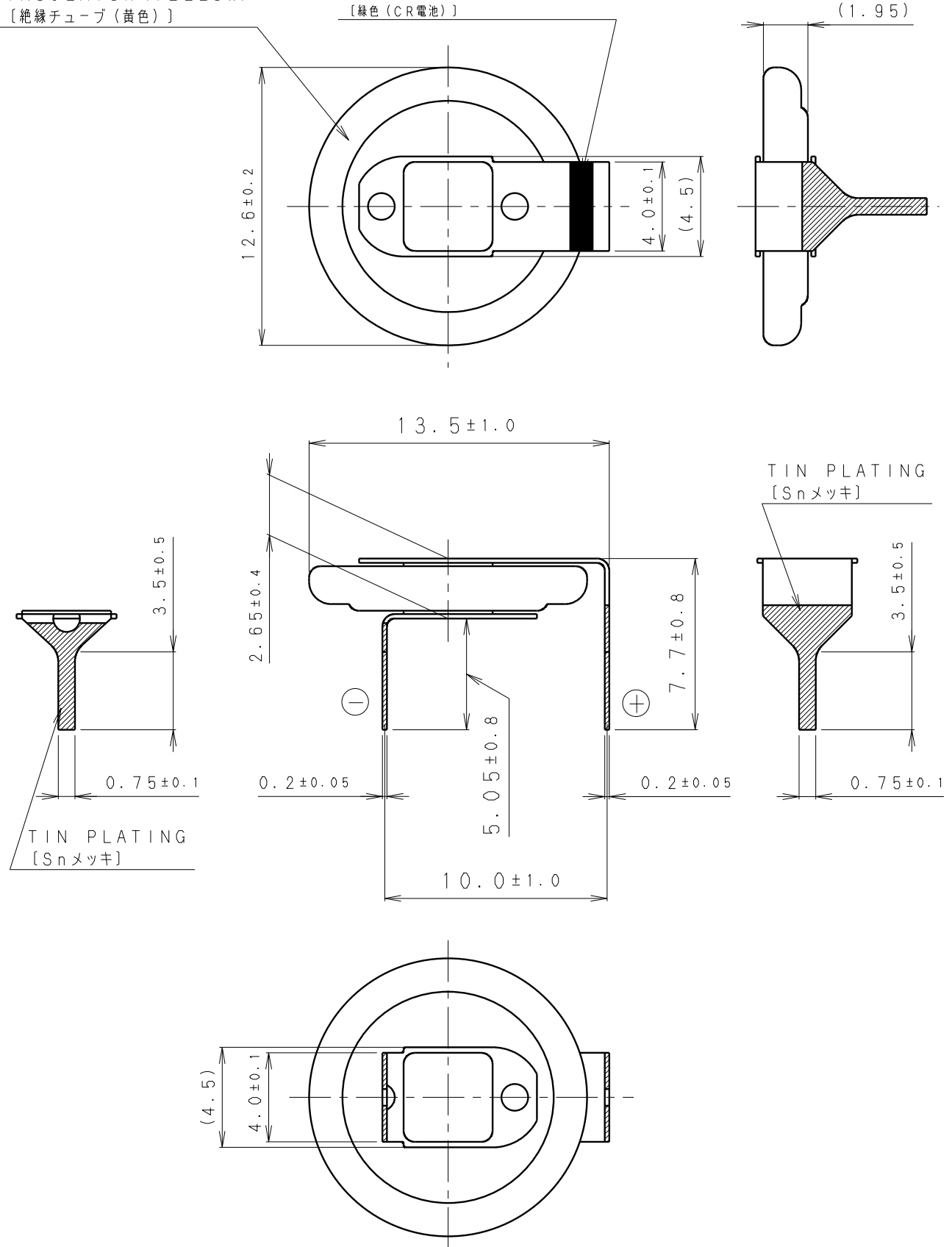


INSULATOR (YELLOW)
[絶縁チューブ (黄色)]

MARKING (GREEN) MEANS
"CR" BATTERY
[緑色 (CR電池)]



* NOTE [注記]

- TAB PULLING STRENGTH OVER 19.6N
[端子溶接強度: 19.6N以上]
- TAB MATERIAL: STAINLESS STEEL WITH TIN PLATING [Snメッキ]
[端子材料: 基材 ステンレス/表面 部分Snメッキ]
- (): REFERENCE DIMENSION AND ANGLE
[() 寸法、角度は参考値]

| | | | |
|-------------|-------------|-------|----------|
| PRODUCT NO. | CR-1220/HFN | SCALE | |
| | | 4:1 | |
| DRAWING NO. | JEHA1Z | REV. | UNIT: mm |
| | | 0 | |