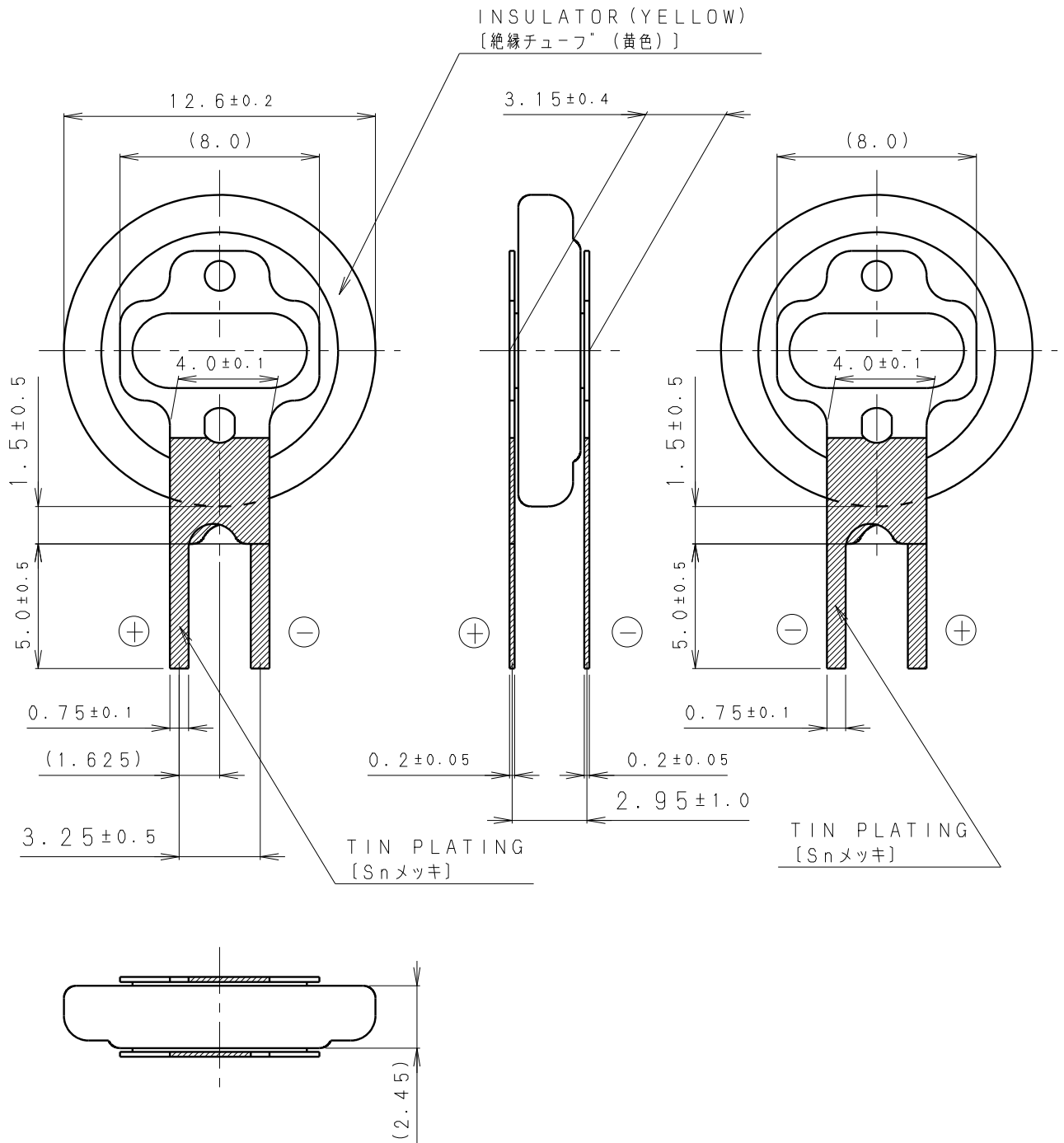


\* NOTE [注記]

1. TAB PULLING STRENGTH OVER 19.6N  
[端子溶接強度：19.6N以上]
2. TAB MATERIAL: STAINLESS STEEL WITH TIN PLATING [錫メッキ]  
[端子材料：基材 ステンレス/表面 部分Snメッキ]
3. ( ) : REFERENCE DIMENSION AND ANGLE  
[ ( ) 寸法、角度は参考値]

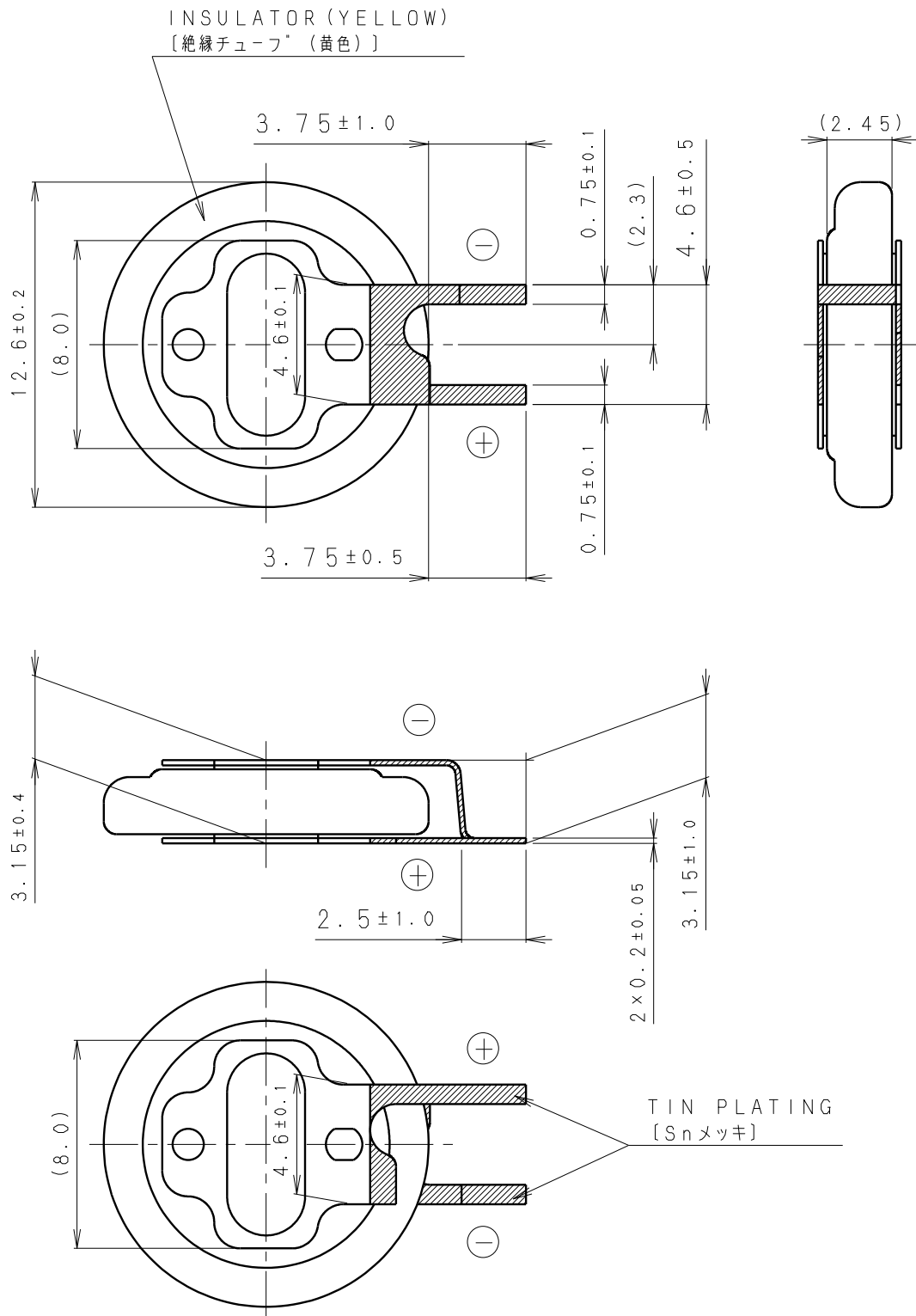
PRODUCT NO.	BR-1225/V1BN	SCALE	
		4:1	
DRAWING NO.	JGVA1Z	REV.	 UNIT:mm
		0	



\* NOTE [注記]

1. TAB PULLING STRENGTH OVER 19.6N  
[端子溶接強度：19.6N以上]
2. TAB MATERIAL: STAINLESS STEEL WITH TIN PLATING  
[端子材料：基材 ステンレス/表面 部分Snメッキ]
3. ( ) : REFERENCE DIMENSION AND ANGLE  
[ ( ) 寸法、角度は参考値]

PRODUCT NO.	BR-1225/VCN	SCALE	
		4:1	
DRAWING NO.	JGVB1Z	REV.	 UNIT: mm
		0	



\* NOTE [注記]

1. TAB PULLING STRENGTH OVER 19.6N  
[端子溶接強度：19.6N以上]
2. TAB MATERIAL: STAINLESS STEEL WITH TIN PLATING [斜線]  
[端子材料：基材 ステンレス/表面 部分Snメッキ [斜線]]
3. ( ) : REFERENCE DIMENSION AND ANGLE  
[ ( ) 寸法、角度は参考値]

PRODUCT NO.	BR-1225/VFN	SCALE	
		4:1	
DRAWING NO.	JGFA6Z	REV.	 UNIT: mm
		0	