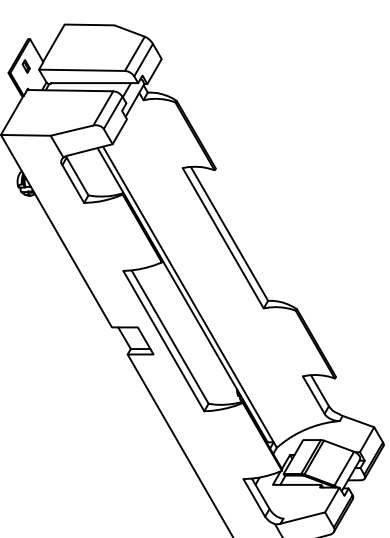
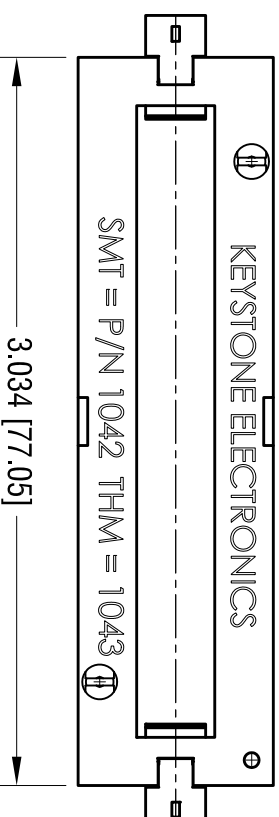
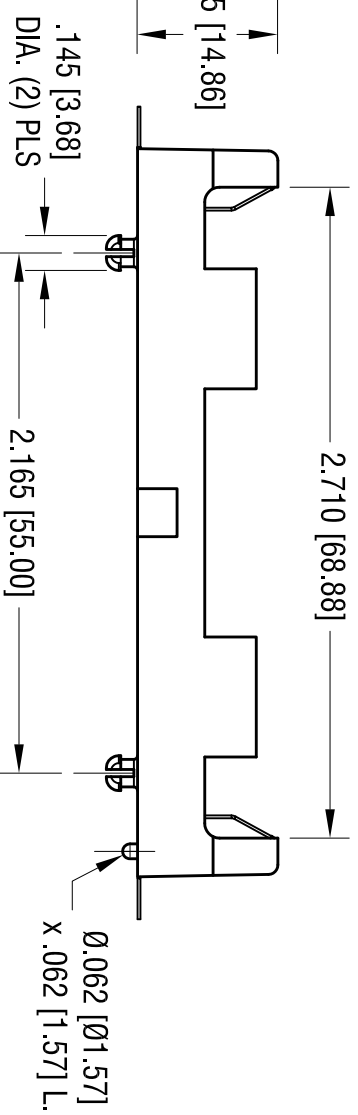
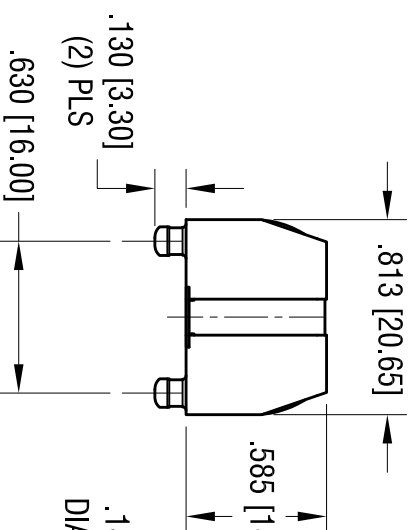
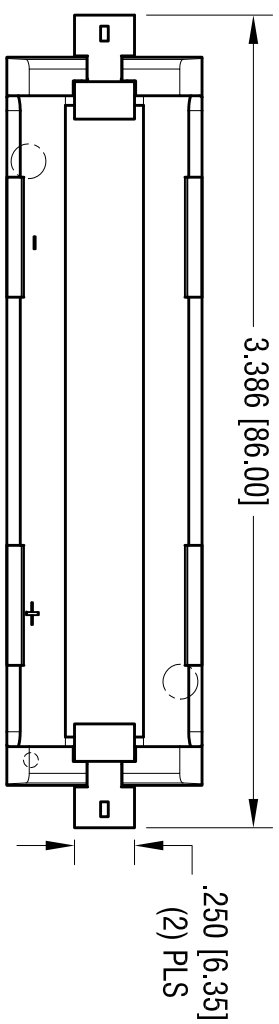
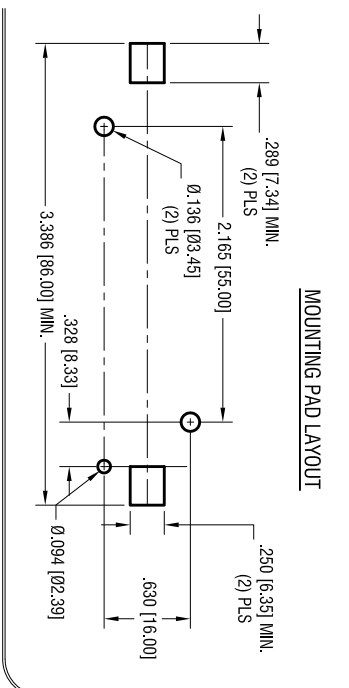


DATE	DESCRIPTION	REV.
10.24.10	AS PER ECN 10-062	A
10.04.10	CHANGE AS PER ECN 10-069	B
10.26.10	CHANGE AS PER ECN 10-075	C



KEYSTONE ELECTRONICS CORP.

www.keyleco.com • ASTORIA, N.Y. 11105-2017 • Tel (718) 956-8900

PART NAME

PC BATTERY HOLDER, 18650

MATERIAL

AS NOTED

FINISH

AS NOTED

TOLERANCES

INCH [MM]

DECIMAL ± .010 [± 0.25]

ANGULAR ± 1°

UNLESS OTHERWISE SPECIFIED

CODE

C

DWG NO.

LN

SCALE

1.25X

DRN BY

NT

DATE

8.19.10

SCALE

1.25X

1042

NOTE:

1. BASE:

MAT'L: HEAT RESISTANCE NYLON

STANYL 46 OR EQUIVALENT

2. CONTACT:

MAT'L: .012 [0.30] THK PHOSPHOR BRONZE

FINISH: GOLD FLASH, OVER NICKEL PLATE

THIS DOCUMENT IS THE PROPERTY OF
KEYSTONE ELECTRONICS CORP. AND
SHALL NOT BE REPRODUCED, DISTRIBUTED
OR USED AS A BASIS FOR MANUFACTURE
WITHOUT PRIOR WRITTEN PERMISSION
FROM KEYSTONE ELECTRONICS CORP.