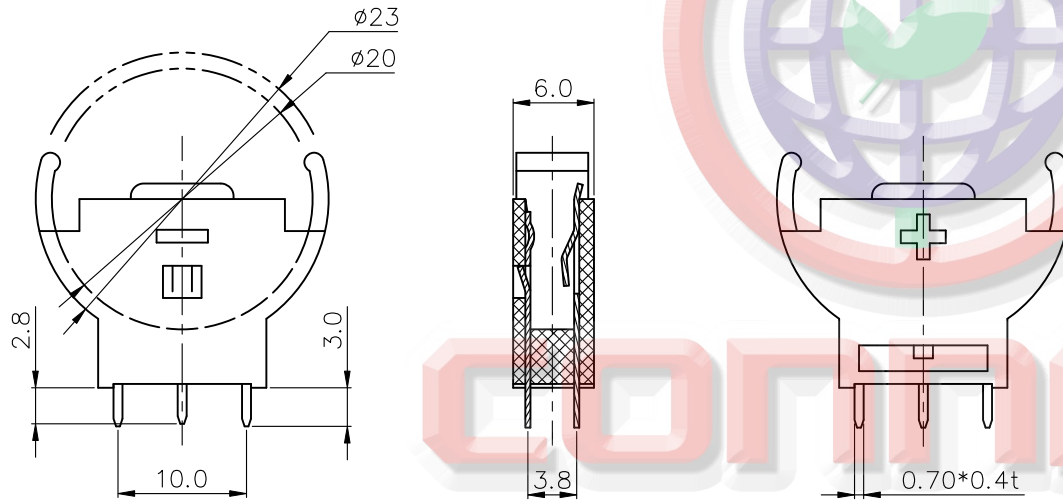


REV.	DESCRIPTION	DRAWN	CHECKED	APPROVED
A	NEW RELEASE	YCH 08/07/12'	~	LJC 08/07/12'
B	DRAWING UPDATE	JLZ 01/20/16'	HZW 01/20/16'	LJC 01/20/16'



**NOTE:**

**1. Materials:**

1.1 Base: Thermoplastic, UL94 V-0, Color of black.  
Temp. Range: -40°C to +105°C.

1.2 Positive & Negative Contacts: Copper Alloy.

**2. Specification:**

2.1 Dielectric Withstanding Voltage: AC 500V AC.

2.2 Insulation Resistance: 1000MΩ min.

2.3 Contact Resistance: 100mΩ Max.

**3. Part Number Code:**

DS1092-01 - X X X

— Housing material:  
P: PBT  
— Contact plating:  
6: Tin  
— Housing color:  
B: Black

Tel:86-574-63508787

Fax:86-574-63510817

E-mail:sale@connfly.com


http://www.connfly.com

Add:East Industry Zone KuangYan

Town Cixi Ningbo China

P.C:315333

Recommend PCB Layout  
Tolerance=±0.05

GENERAL TOLERANCE		ANGLE TOLERANCE		PROJECTION	TITLE	2032 Lithium Coin Cell Battery Holders Upright insert type	
X.	±0.60	X.	±5°	mm			
.X	±0.38	.X	±3°	A4	SERIES	DS1092-01 Series	
.XX	±0.25	.XX	±2°				
DRAWING TYPE		CUSTOMER		 <b>晨翔电子有限公司</b> <b>CONNFLY CONNFLY ELECTRONIC CO. LTD</b>			
SCALE		1:1					
DRAWING NO.		C-DS1092-01-XXX-B					