

## TERMSERIES TRS 24-230VUC 1CO

**Weidmüller Interface GmbH & Co. KG**  
 Klingenbergstraße 16  
 D-32758 Detmold  
 Germany  
 Fon: +49 5231 14-0  
 Fax: +49 5231 14-292083  
 www.weidmueller.com



TERMSERIES relay module 1 CO, complete modules consisting of a relay and a base with AC/DC/UC coils, available in different versions:

- With screw connection
- AgNi contact
- Optionally with multiple-voltage input: 24...230 V UC
- With various protective circuits in the input (free-wheel diode, RC element)
- Illuminated ejection lever

### General ordering data

Type	TRS 24-230VUC 1CO
Order No.	<a href="#">1122850000</a>
Version	TERMSERIES, Relays, No. of contacts: 1, CO contact, AgNi, Rated control voltage: 24...230 V UC $\pm 10\%$ , Continuous current: 6 A, Screw connection
GTIN (EAN)	4032248905232
Qty.	10 pc(s).

**TERMSERIES**  
**TRS 24-230VUC 1CO**

**Weidmüller Interface GmbH & Co. KG**  
 Klingenbergstraße 16  
 D-32758 Detmold  
 Germany  
 Fon: +49 5231 14-0  
 Fax: +49 5231 14-292083  
 www.weidmueller.com

**Technical data****Dimensions and weights**

Width	6.4 mm	Height	90 mm
Depth	88 mm	Net weight	38 g

**Temperatures**

Humidity	5–95% rel. humidity, $T_u = 40^\circ\text{C}$ , no condensation	Operating temperature	-40 °C...+60 °C
Storage temperature	-40 °C...+85 °C		

**Input**

Protective circuit	Rectifier	Rated control voltage	24...230 V UC $\pm 10\%$
Rated current AC	4 mA @ 230 V AC $\pm 10\%$ , 28 mA @ 24 V AC $\pm 10\%$	Rated current DC	22 mA @ 24 V DC $\pm 10\%$
Power rating	530 mW @ 24 V DC, 930 mVA @ 230 V AC	Pull-inrop-out voltage, typ.	11.5 V / 6 V AC 11.5 V / 5 V DC
Status indicator	Green LED		

**Output**

Rated switching voltage	250 V AC	Max. switching voltage, AC	250 V
Max. switching voltage, DC	250 V	Continuous current	6 A
Inrush current	20 A / 20 ms	AC switching capacity (resistive), max.	1500 VA @ 250 V
DC switching capacity (resistive), max.	144 W @ 24 V	Switch-on delay	< 22 ms
Switch-off delay	< 100 ms	Min. switching power	100 mA / 5 V, 10 V / 10 mA, 24 V / 1 mA
Max. switching frequency at rated load	0.1 Hz		

**Contact data**

No. of contacts	1	Contact design	CO contact
Contact material	AgNi	Mechanical service life	$5 \times 10^6$ switching cycles

**General data**

Wire connection method	Screw connection	Humidity	5–95% rel. humidity, $T_u = 40^\circ\text{C}$ , no condensation
UL 94 flammability rating	V-0		

**Insulation coordination**

Creepage and clearance distance input – output	$\geq 5.5$ mm	Rated voltage	300 V
Dielectric strength to mounting rail	4 kV <sub>eff</sub> / 1 min.	Impulse withstand voltage	6 kV (1.2/50 $\mu\text{s}$ )
Protection degree	IP 20	Pollution severity	2
Surge voltage category	III		

**Other technical data**

Version	Relay coupler	Protective circuit	Rectifier
Status indicator	Green LED		

**Data sheet**

**TERMSERIES  
TRS 24-230VUC 1CO**

**Weidmüller Interface GmbH & Co. KG**  
 Klingenbergstraße 16  
 D-32758 Detmold  
 Germany  
 Fon: +49 5231 14-0  
 Fax: +49 5231 14-292083  
 www.weidmueller.com

**Technical data**

**Further details of approvals / standards**

Certificate No. (GERMLLOYD)	47053-12	Certificate no. (cULus)	E141197
Standards	DIN EN 50178		

**Connection data**

Clamping range, rated connection	1.5 mm <sup>2</sup>	Clamping range, rated connection, max.	1.5 mm <sup>2</sup>
Clamping range, rated connection, min.	0.14 mm <sup>2</sup>	Stripping length, rated connection	8 mm
Tightening torque, max.	0.4 Nm	Wire connection method	Screw connection

**Classifications**

eClass 6.2	27-37-16-01	eClass 7.1	27-37-16-01
------------	-------------	------------	-------------

**Product information**

Descriptive text ordering data	Spare relay Type: RSS113024 Orderno.: 4060120000
Descriptive text technical data	Accessories and dimensional drawings: refer to the TERMSERIES Accessories page.

**Approvals**

Approvals



ROHS	Conform
------	---------

**Downloads**

Declaration of Conformity	<a href="#">K438_10_12.pdf</a>
PDF	<a href="#">Operating Instructions</a>
	<a href="#">3-D model</a>

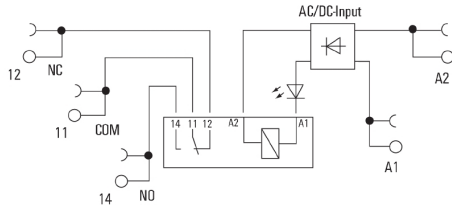
**Data sheet**

**TERMSERIES  
TRS 24-230VUC 1CO**

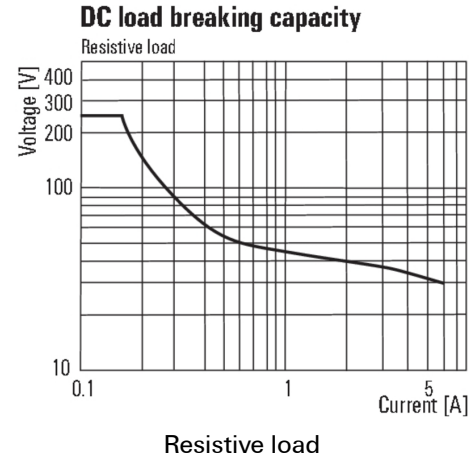
**Weidmüller Interface GmbH & Co. KG**  
 Klingenbergstraße 16  
 D-32758 Detmold  
 Germany  
 Fon: +49 5231 14-0  
 Fax: +49 5231 14-292083  
 www.weidmueller.com

**Drawings**

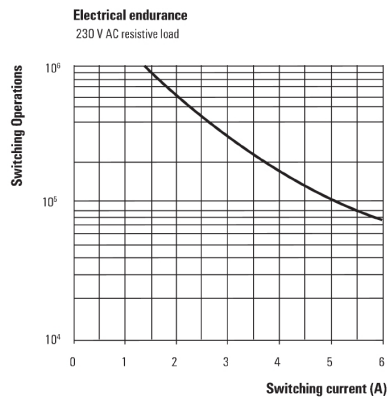
**Wiring diagram**



**DC load limit curve**

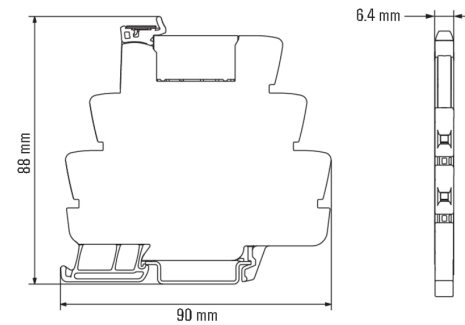


**Electrical service life**



230 V AC resistive load

**Dimensioned drawing**



**Data sheet**

**TERMSERIES  
TRS 24-230VUC 1CO**

**Weidmüller Interface GmbH & Co. KG**  
 Klingenbergstraße 16  
 D-32758 Detmold  
 Germany  
 Fon: +49 5231 14-0  
 Fax: +49 5231 14-292083  
 www.weidmueller.com

**Drawings**

**Type codes**

