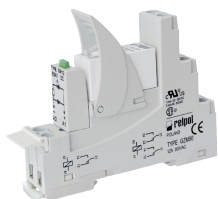


# PI84 with socket GZM80 interface relays

## RM84 + GZM80



- Interface relay **PI84 with socket GZM80** consists of: electromagnetic relay **RM84**, grey plug-in socket **GZM80**, signalling / protecting module: version **LD** - M41G or M43G (L - LED green, D - diode, polarization N: +A1/-A2); version **LV** - M91G or M93G (L - LED green, V - varistor), retainer / retractor clip **GZT80-0040** (plastic), white description plate **GZT80-0035**
- 35 mm rail mount acc. to PN-EN 60715 or on panel mounting with one M3 screw
- May be linked with interconnection strip type **ZGGZ80**
- Recognitions, certifications, directives: recognitions RM84, RoHS, **CE EAC**

### Contact data

Number and type of contacts		2 CO
Contact material		<b>AgNi</b>
Rated / max. switching voltage	AC	250 V / 440 V
Min. switching voltage		5 V
Rated load (capacity)	AC1	8 A / 250 V AC
	AC15	3 A / 120 V    1,5 A / 240 V (B300)
	AC3	550 W (single-phase motor)
	DC1	8 A / 24 V DC (see Fig. 3)
	DC13	0,22 A / 120 V    0,1 A / 250 V (R300)
Min. switching current		5 mA
Max. inrush current		15 A
Rated current		8 A
Max. breaking capacity	AC1	2 000 VA
Min. breaking capacity		0,3 W
Contact resistance		≤ 100 mΩ
Max. operating frequency		
• at rated load	AC1	600 cycles/hour
• no load		72 000 cycles/hour
<b>Coil data</b>		
Rated voltage	50/60 Hz AC	12 ... 230 V
	DC	12 ... 110 V
Must release voltage		AC: ≥ 0,15 U <sub>n</sub> DC: ≥ 0,1 U <sub>n</sub>
Operating range of supply voltage		see Tables 1, 2 and Fig. 4, 5
Rated power consumption	AC	0,75 VA
	DC	0,4 ... 0,48 W
<b>Insulation according to PN-EN 60664-1</b>		
Insulation rated voltage		300 V AC
Rated surge voltage		4 000 V    1,2 / 50 μs
Overvoltage category		III
Insulation pollution degree		3
Dielectric strength		
• between coil and contacts	5 000 V AC	type of insulation: reinforced
• contact clearance	1 000 V AC	type of clearance: micro-disconnection
• pole - pole	2 500 V AC	type of insulation: basic
Contact - coil distance		
• clearance		≥ 10 mm
• creepage		≥ 10 mm
<b>General data</b>		
Operating / release time (typical values)		7 ms / 3 ms
Electrical life		
• resistive AC1	> 10 <sup>5</sup>	8 A, 250 V AC
• cosφ	see Fig. 2	
• cosφ = 0,4	> 10 <sup>5</sup>	3 A, 250 V AC
• DC L/R=40 ms	> 10 <sup>5</sup>	0,12 A, 220 V DC
Mechanical life (cycles)		> 3 x 10 <sup>7</sup>
Dimensions (L x W x H)		78,1 x 15,9 x 66,5 mm
Weight		59 g
Ambient temperature	• storage	-40...+85 °C
	• operating	AC: -40...+70 °C    DC: -40...+85 °C
Cover protection category		IP 20                      PN-EN 60529
Environmental protection		RM84: RTII            GZM80: RT0            PN-EN 116000-3
Shock resistance		20 g
Vibration resistance	(NO/NC)	10 g / 5 g 10...150 Hz

The data in bold type pertain to the standard versions of the relays.

**Coil data - DC voltage version**

Table 1

Coil code	Rated voltage V DC	Coil resistance at 20 °C Ω	Acceptable resistance	Coil operating range V DC	
				min. (at 20 °C)	max. (at 20 °C)
012DC	12	360	± 10%	8,4	30,6
<b>024DC</b>	<b>24</b>	<b>1 440</b>	<b>± 10%</b>	<b>16,8</b>	<b>61,2</b>
110DC	110	25 200	± 10%	77,0	280,0

The data in bold type pertain to the standard versions of the relays.

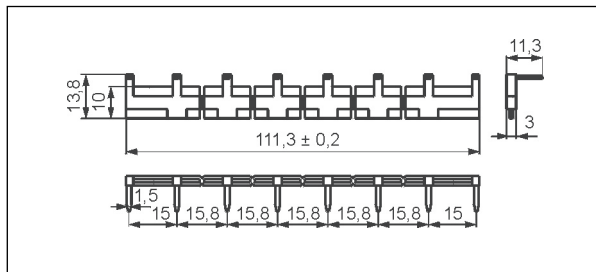
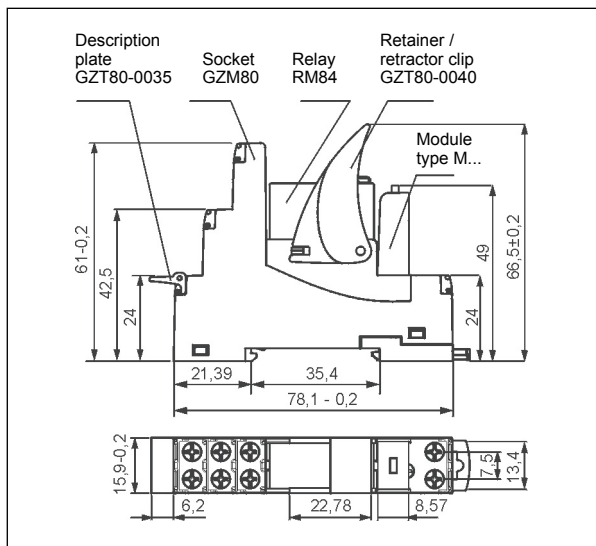
**Coil data - AC 50/60 Hz voltage version**

Table 2

Coil code	Rated voltage V AC	Coil resistance at 20 °C Ω	Acceptable resistance	Coil operating range V AC 50 Hz	
				min. (at 20 °C)	max. (at 20 °C)
012AC	12	100	± 10%	9,6	13,2
<b>024AC</b>	<b>24</b>	<b>400</b>	<b>± 10%</b>	<b>19,2</b>	<b>26,4</b>
120AC	120	10 200	± 10%	96,0	144,0
<b>230AC</b>	<b>230</b>	<b>38 500</b>	<b>± 10%</b>	<b>184,0</b>	<b>253,0</b>

The data in bold type pertain to the standard versions of the relays.

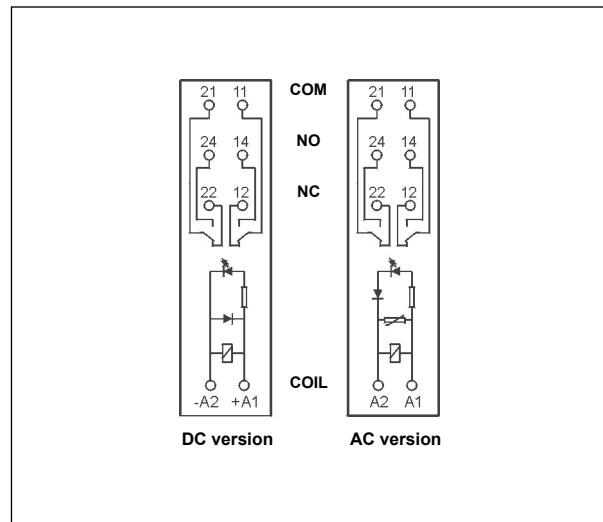
## Dimensions



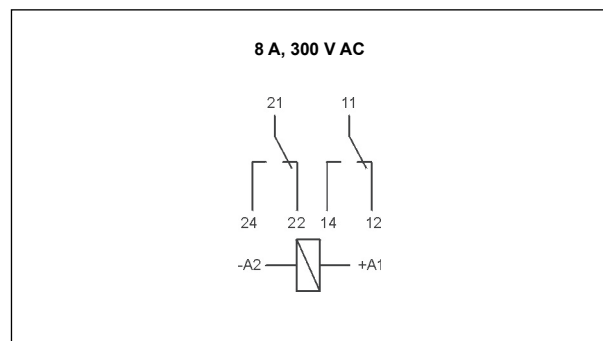
Interconnection strip type **ZGGZ80**

## Connection diagrams

(screw terminals side view)

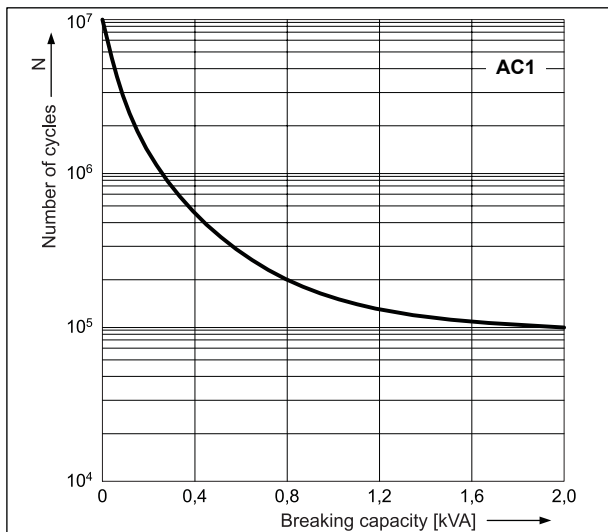


## Connection of GZM80 socket



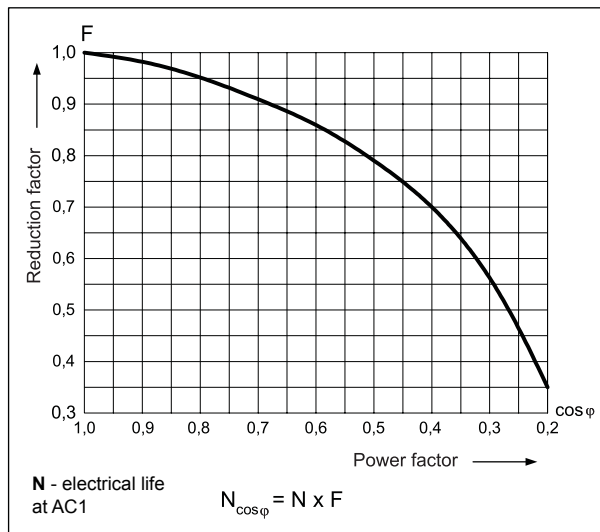
**Electrical life at AC resistive load.**  
Switching frequency: 600 cycles/hour

Fig. 1



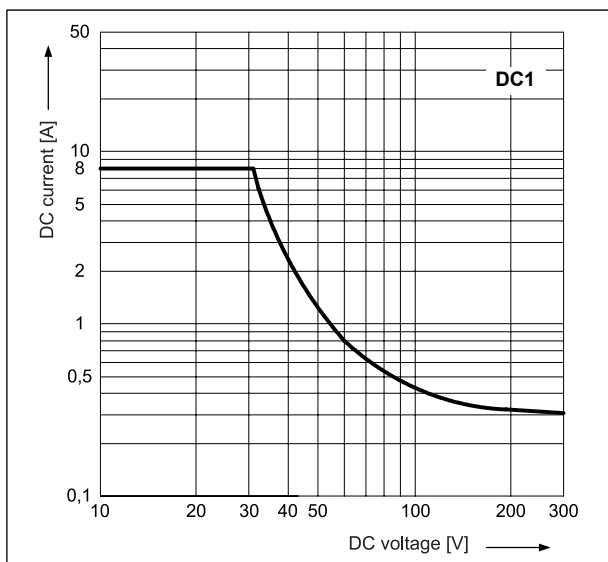
**Electrical life reduction factor at AC inductive load**

Fig. 2



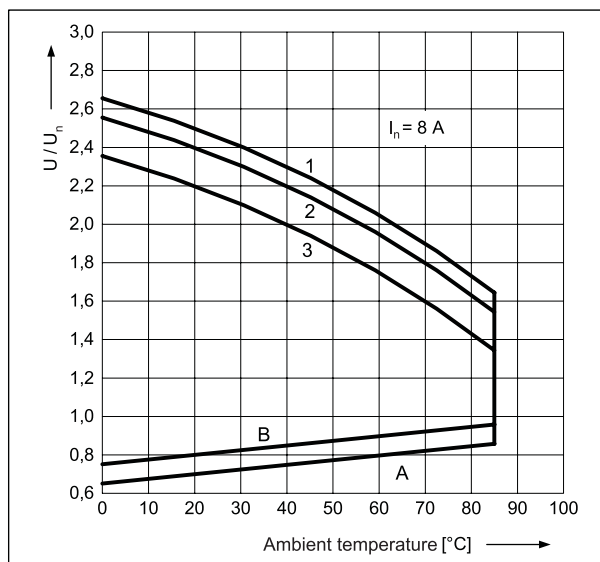
**Max. DC resistive load breaking capacity**

Fig. 3



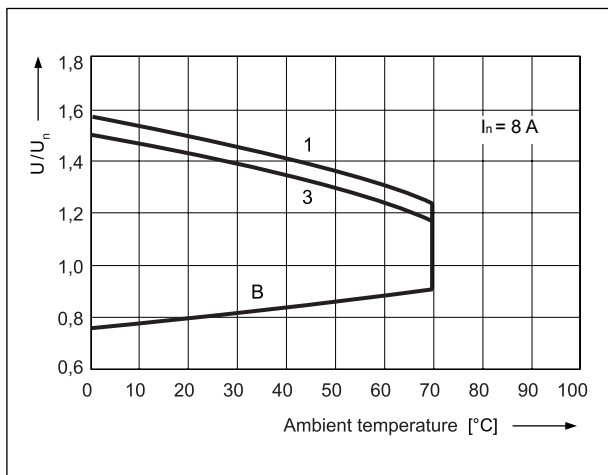
**Coil operating range - DC**

Fig. 4



**Coil operating range - AC 50 Hz**

Fig. 5



**Description of Fig. 4 and 5**

**A** - relations between make voltage and ambient temperature at no load on contacts. Coil temperature and ambient temperature are equal before coil energizing. Make voltage is not higher than the value read on Y axis (multiplication of rated voltage).

**B** - relations between make voltage and ambient temperature after initial coil heating up with  $1,1 U_n$ , at continues load of  $I_n$  on contacts. Make voltage is not higher than the value read on Y axis (multiplication of rated voltage).

**1, 2, 3** - values on Y axis represent allowed overvoltage on coil at certain ambient temperature and contact load:

- 1 - no load
- 2 - 50% of rated load
- 3 - rated load

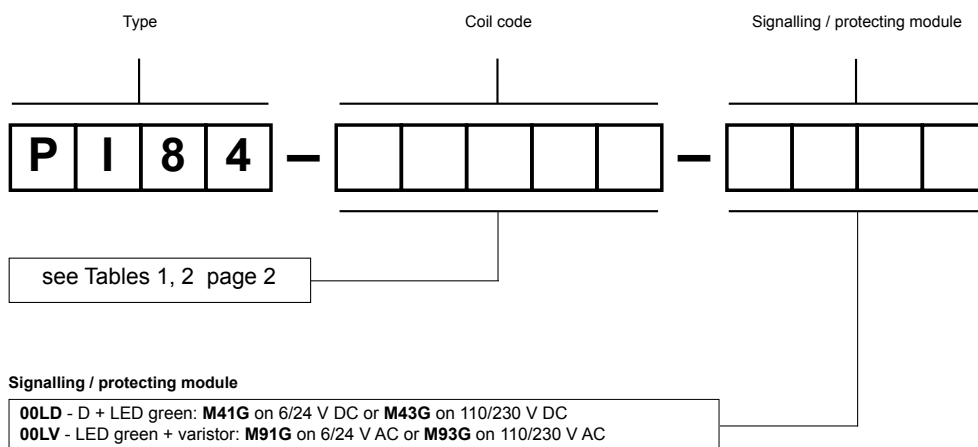
# PI84 with socket GZM80 interface relays

## Mounting

Relays **PI84 with socket GZM80** are designed for direct mounting on 35 mm rail mount acc. to PN-EN 60715 or on panel mounting with one M3 screw. **Connections:** max. cross section of the cables (stranded): 2 x 2,5 mm<sup>2</sup> (2 x 14 AWG), length of the cable deinsulation: 6,5 mm, max. tightening moment for the terminal: 0,7 Nm.

Plug-in sockets **GZM80** may be linked with interconnection strip type **ZGGZ80**. Strip **ZGGZ80** bridges common input signals, maximum permissible current is 10 A / 250 V AC. Possibility of connection of 8 sockets. Colours of strips: **ZGGZ80-1** grey, **ZGGZ80-2** black (see page 5).

## Ordering codes



Examples of ordering codes:

- PI84-012DC-00LD** interface relay **PI84**, which consists of: relay **RM84** with coil 12 V DC, grey plug-in socket **GZM80** (screw terminals), signalling / protecting module **M41G** (version **LD**: L - LED green, D - diode, polarization N: +A1/-A2), retainer / retractor clip **GZT80-0040** (plastic), white description plate **GZT80-0035**
- PI84-230AC-00LV** interface relay **PI84**, which consists of: relay **RM84** with coil 24 V AC 50/60 Hz, grey plug-in socket **GZM80** (screw terminals), signalling / protecting module **M91G** (version **LV**: L - LED green, V - varistor), retainer / retractor clip **GZT80-0040** (plastic), white description plate **GZT80-0035**

### PRECAUTIONS:

1. Ensure that the parameters of the product described in its specification provide a safety margin for the appropriate operation of the device or system and never use the product in circumstances which exceed the parameters of the product. 2. Never touch any live parts of the device. 3. Ensure that the product has been connected correctly. An incorrect connection may cause malfunction, excessive heating or risk of fire. 4. In case of any risk of any serious material loss or death or injuries of humans or animals, the devices or systems shall be designed so to equip them with double safety system to guarantee their reliable operation.

## Interconnection strips ZGGZ80



PI85-...-00L.  
(RM85 + GZM80)

ZGGZ80

### ZGGZ80 for:

Plug-in sockets	Relays for plug-in sockets	Interface relays <sup>①</sup>
GZT80	RM84, RM85, RM85 inrush, RM85 105 °C sensitive, RMB841, RMB851, RM87L <sup>②</sup> , RM87P <sup>②</sup> , RM87N <sup>②</sup>	PI84-...-M...G (RM84 + GZT80)
GZM80		PI84-...-00L. (RM84 + GZM80)
GZS80		PI85-...-M...G (RM85 + GZT80)
GZT92		PI85-...-00L. (RM85 + GZM80)
GZM92		
GZS92		
ES 32	RM96 1 CO	

<sup>①</sup> Interface relay PI84 (PI85) is offered as a set: plug-in socket GZT80 or GZM80 + miniature relay RM84 (RM85) + signalling / protecting module type M... + retainer / retractor clip GZT80-0040 + description plate GZT80-0035. <sup>②</sup> Also versions RM87. sensitive

### Interconnection strip ZGGZ80

- designed for the co-operation with plug-in sockets of miniature relays and with interface relays PI84 and PI85, which are equipped with screw terminals; sockets and relays are mounted on 35 mm rail mount acc. to PN-EN 60715,
- bridges common input signals (coil terminals A1 or A2) or output signals - see photo at the top,
- maximum permissible current is 10 A / 250 V AC,
- possibility of connection of 8 sockets or relays,
- colours of strips: **ZGGZ80-1** grey, **ZGGZ80-2** black.

