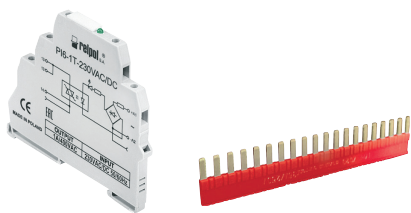


PI6-1T

interface relays



- Width 6,2 mm
- Interface relay **PI6-1T** - with triac output
- 35 mm rail mount acc. to PN-EN 60715
- May be linked with interconnection strip type **ZG20**
- Equipped in LED green
- Recognitions, certifications, directives: RoHS, **CE ENEC**

Output circuit - Triac

Number and type of outputs		1 NO
Rated / max. switching voltage	AC	400 V / 440 V
Min. switching voltage	AC	20 V
Rated load	AC1	1,2 A / 400 V AC
Min. switching current		10 mA
Max. non-repeat surge current		30 A $t=20$ ms
Rated current		1,2 A
I^2t for fusing		5,1 A ² s $t=1-10$ ms
dI/dt		50 A/ μ s
dV/dt		40 V/ μ s

Input circuit

Rated voltage	DC	5...32 V
	AC: 50/60 Hz AC/DC	24 ... 230 V
Turn-off voltage		AC: $\geq 0,2 U_n$ DC: $\geq 0,1 U_n$
Rated power consumption	DC	0,3 W
	AC/DC	0,3 VA / 0,3 W
	AC/DC	1,6 VA / 1,6 W
		5...32 V DC at 24 V
		24 V AC/DC
		230 V AC/DC

Insulation according to PN-EN 60664-1

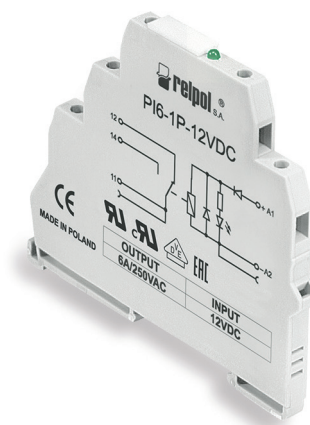
Insulation rated voltage		600 V AC
Insulation pollution degree		2
Dielectric strength	• input - output	4 000 V AC 50/60 Hz, 1 min., type of insulation: reinforced

General data

Operating time		10 ms max. (zero turn-on)
Release time		10 ms max.
Dimensions (L x W x H)		93,8 x 6,2 x 80 mm
Weight		40 g
Ambient temperature	• storage	-40...+70 °C
	• operating	-40...+55 °C
Protection category		IP 20 PN-EN 60529
Environmental protection		RTI PN-EN 116000-3
Shock resistance		10 g
Vibration resistance		5 g 10...500 Hz

EUROPRODUCT 2003
for interface relays **PI6**

Gold medal
AUTOMATICON 2004
for interface relays **PI6**



PI6-1T

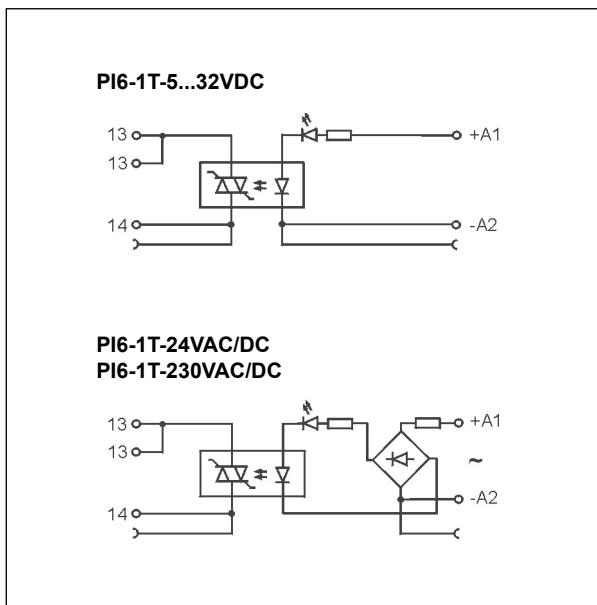
interface relays

Input data

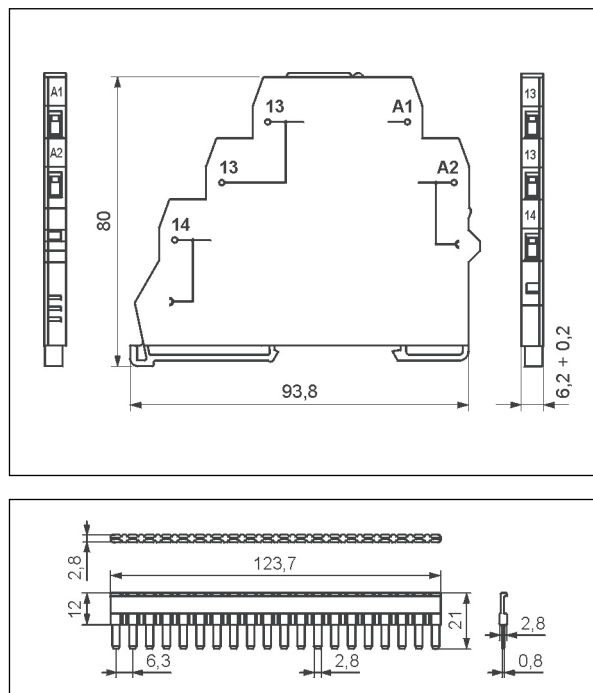
Table 1

Interface relay code	Rated input voltage U_n	Power of input circuit
PI6-1T-5...32VDC	5...32 V DC	0,3 W at 24 V
PI6-1T-24VAC/DC	24 V AC/DC	0,3 VA / 0,3 W
PI6-1T-230VAC/DC	230 V AC/DC	1,6 VA / 1,6 W

Connection diagrams



Dimensions



Interconnection strip type **ZG20**

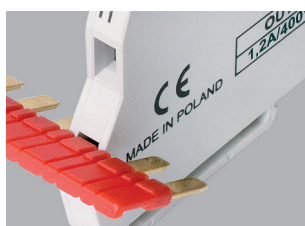
Ordering codes

Ordering codes **PI6-1T** are specified in Table 1, „Interface relay code” column.

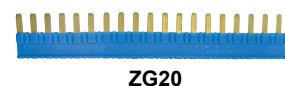
Mounting

Relays **PI6-1T** are designed for direct mounting on 35 mm rail mount acc. to PN-EN 60715. **Connections:** max. cross section of the cables: 1 x 2,5 mm² / 2 x 1,5 mm² (1 x 14 / 2 x 16 AWG), length of the cable deinsulation: 8 mm, max. tightening moment for the terminal: 0,3 Nm.

PI6-1T may be linked with interconnection strip type **ZG20**. Strip **ZG20** bridges common input or output signals, maximum permissible current is 36 A / 250 V AC. Colours of strips: **ZG20-1** red, **ZG20-2** black, **ZG20-3** blue.



Interconnection strip ZG20:
bridging of common
input or output signals.



PRECAUTIONS:

1. Ensure that the parameters of the product described in its specification provide a safety margin for the appropriate operation of the device or system and never use the product in circumstances which exceed the parameters of the product. 2. Never touch any live parts of the device. 3. Ensure that the product has been connected correctly. An incorrect connection may cause malfunction, excessive heating or risk of fire. 4. In case of any risk of any serious material loss or death or injuries of humans or animals, the devices or systems shall be designed so to equip them with double safety system to guarantee their reliable operation.