
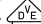


RM12N

miniature relays



- DC coils - of up to 24 V DC, low coil power 0,22 ... 0,25 W
- For PCB
- Small dimensions, light weight
- Application: for household electrical appliance, automation systems, electrical equipment, instrument and meter, telecommunication devices, remote control facilities
- Recognitions, certifications, directives: RoHS,  ( pending)

Contact data

Number and type of contacts	1 CO, 1 NO	
Contact material	AgNi , AgSnO ₂	
Rated / max. switching voltage	AC	250 V / 440 V
Min. switching voltage	6 V	
Rated load	AC1 DC1	1 CO: 8 A / 250 V AC 1 CO: 8 A / 30 V DC 1 NO: 10 A / 250 V AC 1 NO: 10 A / 30 V DC
Min. switching current	100 mA	
Rated current	10 A	
Max. breaking capacity	AC1	2 500 VA
Contact resistance	≤ 100 mΩ	

Coil data

Rated voltage	DC	5 ... 24 V
Must release voltage	DC: ≥ 0,1 U _n	
Operating range of supply voltage	see Table 1	
Rated power consumption	DC	0,22 ... 0,25 W

Insulation according to PN-EN 60664-1

Insulation resistance	> 1 000 MΩ	500 V DC, 60 s
Dielectric strength		
• between coil and contacts	5 000 V AC	type of insulation: reinforced
• contact clearance	1 000 V AC	type of clearance: micro-disconnection
• pole - pole	2 500 V AC	type of insulation: basic
Contact - coil distance		
• clearance	≥ 8 mm	
• creepage	≥ 8 mm	

General data

Operating / release time (typical values)	10 ms / 5 ms	
Electrical life (number of cycles)		
• resistive AC1	1 800 cycles/hour	10 ⁵ 10 A, 250 V AC
• resistive DC1	1 800 cycles/hour	10 ⁵ 10 A, 30 V DC
Mechanical life	18 000 cycles/hour	10 ⁷
Dimensions (L x W x H)	28,7 x 10,3 x 12,7 mm	
Weight	8 g	
Ambient temperature	• operating	-40...+85 °C
Cover protection category	IP 40 or IP 67	PN-EN 60529
Shock resistance	10 g	
Vibration resistance	1 NO: 0,80 mm DA (without coil voltage)	10...55 Hz
	1 NC: 1,65 mm DA (constant amplitude)	10...55 Hz
Solder bath temperature	max. 260 °C	
Soldering time	max. 3 s	

The data in bold type pertain to the standard versions of the relays.

RM12N

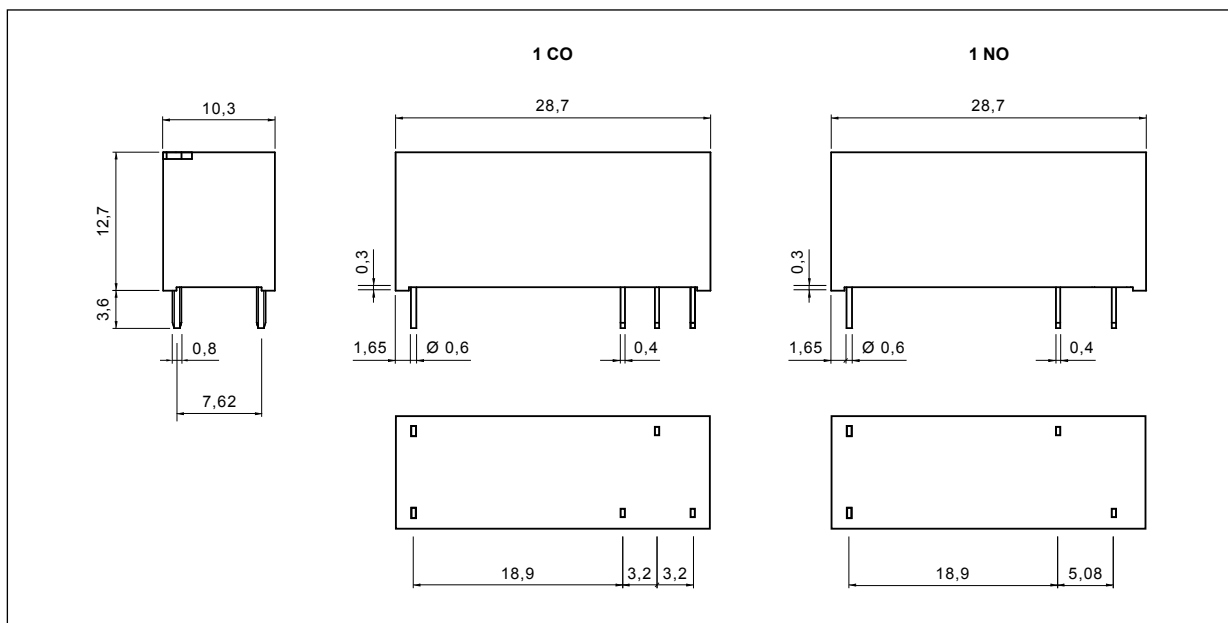
miniature relays

Coil data - DC voltage version

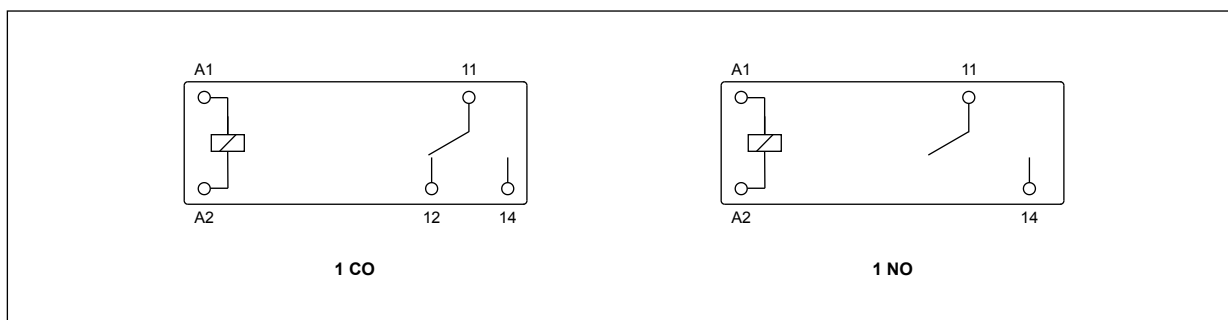
Table 1

Coil code	Rated voltage V DC	Coil resistance at 20 °C Ω	Acceptable resistance	Coil operating range V DC	
				min. (at 20 °C)	max. (at 20 °C)
1005	5	113	$\pm 10\%$	3,5	6,5
1009	9	360	$\pm 10\%$	6,3	11,7
1012	12	620	$\pm 10\%$	8,4	15,6
1018	18	1 295	$\pm 10\%$	12,7	23,4
1024	24	2 350	$\pm 10\%$	16,8	31,2

Dimensions



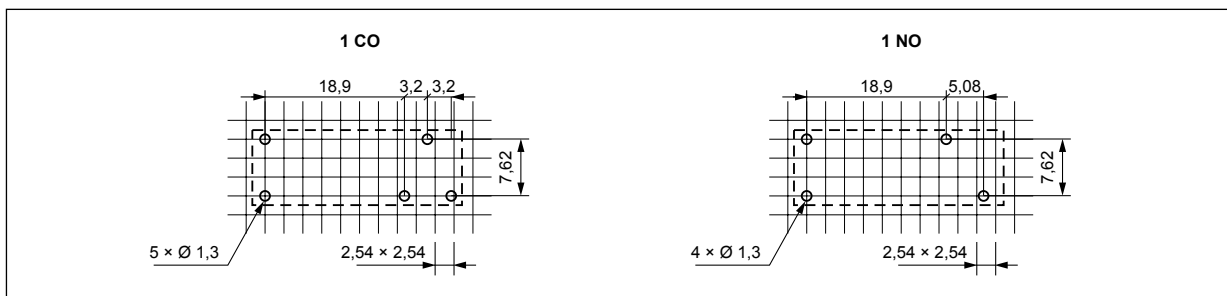
Connection diagrams (pin side view)



RM12N

miniature relays

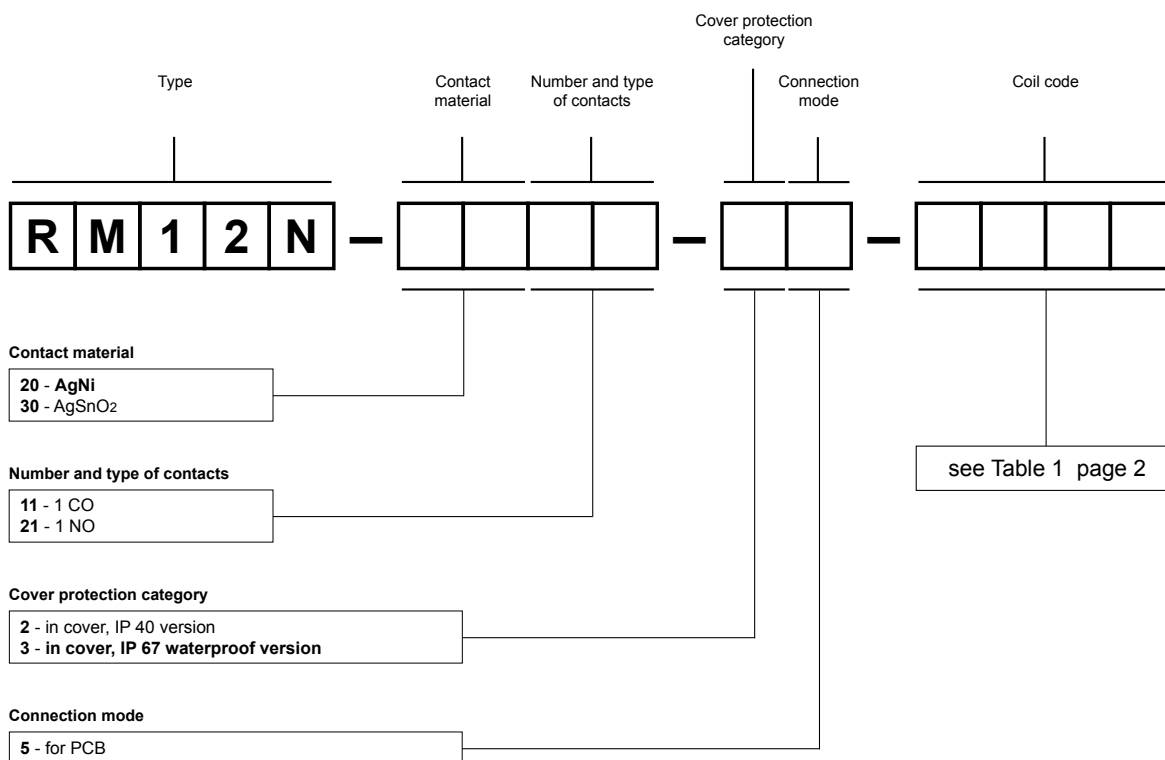
Pinout (solder side view)



Mounting

Relays **RM12N** are designed for direct PCB mounting.

Ordering codes



Examples of ordering codes:

RM12N-2011-35-1012

relay **RM12N**, for PCB, one changeover contact, contact material AgNi, coil voltage 12 V DC, in cover IP 67

RM12N-3021-25-1024

relay **RM12N**, for PCB, one normally open contact, contact material AgSnO₂, coil voltage 24 V DC, in cover IP 40

PRECAUTIONS:

1. Ensure that the parameters of the product described in its specification provide a safety margin for the appropriate operation of the device or system and never use the product in circumstances which exceed the parameters of the product. 2. Never touch any live parts of the device. 3. Ensure that the product has been connected correctly. An incorrect connection may cause malfunction, excessive heating or risk of fire. 4. In case of any risk of any serious material loss or death or injuries of humans or animals, the devices or systems shall be designed so to equip them with double safety system to guarantee their reliable operation.