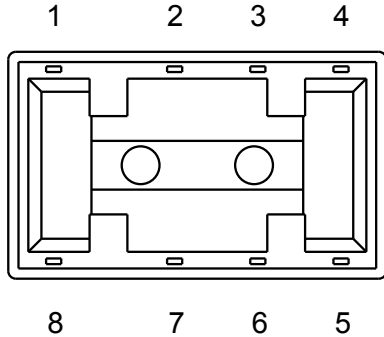
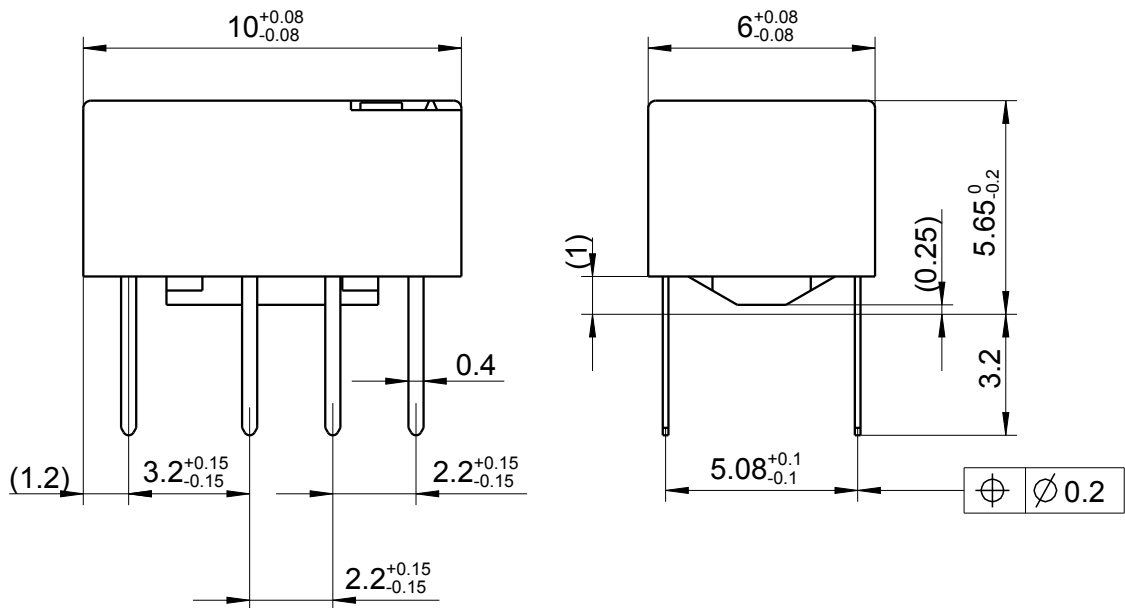


LOC	DIST	REVISIONS					
		P	LTR	DESCRIPTION	DATE	DWN	APVD
HJ	-		A7	additional marking	10OCT2008	UKo	HD
			A8	REVISED PER ECO-11-005150	25MAR2011	RK	HMR
			A9	REVISED PER ECR-11-015637	25MAR2011	UKo	AK
			A10	REVISED PER ECR-13-014508 (TE-Logo)	16SEP2013	UKo	AK



Relay - bottom view



XX = Relay type
 zz = nominal voltage
 YYWW = Date code

RELEASED FOR PUBLICATION
 ALL RIGHTS RESERVED.
 THIS DRAWING IS UNPUBLISHED.
 COPYRIGHT 2000

DRAWING ALIAS: E2002-DOK02

DIMENSIONS: mm	DWN UKo 9193	28AUG1998	MATERIAL	-	FINISH	-
	CHK HD 9121	28AUG1998	TE Connectivity			
TOLERANCES UNLESS OTHERWISE SPECIFIED: DIN 7168-m	APVD HD 9121	28AUG1998				
0 PLC ±	PRODUCT SPEC	-	IM-Relay THT (Standard)			
1 PLC ±	APPLICATION SPEC	-	Dimensions			
2 PLC ±	WEIGHT	-	SIZE	CAGE CODE	DRAWING NO	RESTRICTED TO
3 PLC ±			A4	00779	C-1462037-4	-
4 PLC ±			CUSTOMER DRAWING			
ANGLES ±			SCALE	SHEET	OF	REV
			5:1	1	1	A10