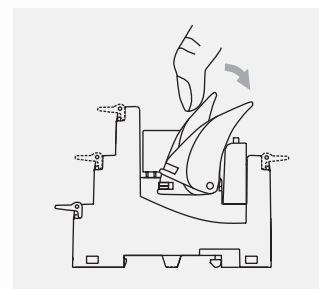


Signalling / protecting module
type M...

Retainer / retractor clip

Screw terminals
plug-in socket

Electromagnetic relay



Removing the relay from the socket
with a retractor / retractor clip

Description plate

Accessories

retainer / retractor clips and description plates

Type of plug-in socket	GZT80, GZT92, GZM80, GZM92	GZS80, GZS92	ES 32	GZT2, GZT3, GZT4, GZM2, GZM3, GZM4
Retainer / retractor clips				
Type	GZT80-0040	GZS-0040 ①	MS16	GZT4-0040
Colour	gray, black	black	black	gray, black
Description plates				
Type	GZT80-0035	TR	TR	GZT4-0035
Colour	white	white	white	white
Designed for relays	RM84, RM85, RM85 inrush, RM85 105 °C sensitive, RM87, RM87 sensitive	RM84, RM85, RM85 inrush, RM85 105 °C sensitive, RM87, RM87 sensitive	RM96 1 C/O	R2, R3, R4
Height of relay	15...16,5 mm	15...16,5 mm ①	15...16,5 mm	35,6 mm

① Relpol S.A. offers also retainer / retractor clip GZS-0025 designed for relays of the height 25...26 mm.



For sockets type:
GZT80, GZT92,
GZM80, GZM92,
GZS80, GZS92,
ES 32,
GZT2, GZT3, GZT4,
GZM2, GZM3, GZM4

Modules type M...	Layout	Voltage	Type of module ①
Module D (polarization P) It limits overvoltage on DC coils.		6/230 V DC	M21P
Module D (polarization N) It limits overvoltage on DC coils.		6/230 V DC	M21N
Module LD (polarization P) It limits overvoltage on DC coils. Coil energizing indication.		6/24 V DC 24/60 V DC 110/230 V DC	M31R, M31G M32R, M32G M33R, M33G
Module LD (polarization N) It limits overvoltage on DC coils. Coil energizing indication.		6/24 V DC 24/60 V DC 110/230 V DC	M41R, M41G M42R, M42G M43R, M43G
Module RC It protects against EMC disturbance. It limits overvoltage.		6/24 V AC 24/60 V AC 110/240 V AC	M51 M52 M53
Module L Coil energizing indication.		6/24 V AC/DC 24/60 V AC/DC 110/230 V AC/DC	M61R, M61G M62R, M62G M63R, M63G
Module LV It limits overvoltage on AC and DC coils. Coil energizing indication.		6/24 V AC/DC 24/60 V AC/DC 110/230 V AC/DC	M91R, M91G M92R, M92G M93R, M93G
Module V It limits overvoltage on AC and DC coils. No indication.		24 V AC 130 V AC 230 V AC	M71 M72 M73
Module R It limits overvoltage on AC coils.		110/230 V AC	M103

① M...R - LED red colour

M...G - LED green colour

Modules type M... are parallelly connected with relay coil. Polarity P: -A1/+A2. Polarity N: +A1/-A2.

Additional features for industrial relays

Type ②	Description	For industrial relays
W	mechanical indicator	R15 2 C/O, R15 3 C/O, R2, R3, R4
T	lockable front test button, orange colour - AC coils, green colour - DC coils	R15 2 C/O, R15 3 C/O, R2, R3, R4
L	light indicator (LED diode), located inside the relay	R15 2 C/O, R15 3 C/O, R15 4 C/O, RUC, R2, R3, R4, RY2
D	surge suppression element (diode) - only for DC coils	R15 2 C/O, R15 3 C/O, R15 4 C/O, R2, R3, R4, RY2
V	surge suppression element (varistor) - only for AC coils	R15 2 C/O, R15 3 C/O
K	test button without block function	R15 4 C/O, RUC

WT - mechanical indicator + lockable front test button

Standard features for industrial relays: R15 2 C/O, R15 3 C/O, R2, R3, R4.

② Available combinations:

WT, WTL, WTD, WTLD, WTV, WTLV - relays for plug-in sockets: R15 2 C/O, R15 3 C/O.

WT, WTL, WTD, WTLD - relays for plug-in sockets: R2, R3, R4

K, L, D, KL, KD, KLD - relays for plug-in sockets R15 4 C/O.

K, L, KL - relays RUC.

Detailed information for individual relays: see Ordering codes - Additional features.

Test buttons are recommended for R2...WT, R3...WT, R4...WT, R15...WT 2 C/O, R15...WT 3 C/O relays - for applications that do not allow permanent contact latching. By manual operation (pressing the button) relay contacts can get switched for as long time as long the button is pressed. Contacts return to initial position as soon as pressure is released from the button. Those operations can be done while the coil is deenergized.

Button **R4P-0001** or **R15-M404** can be easily inserted by the Customer after removal of button type **T** (see Fig. 2). Button type **T** can be removed with screwdriver as shown on Fig. 1.

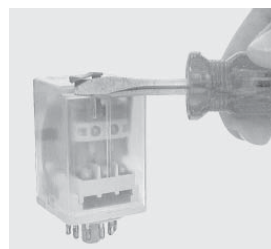


Fig. 1

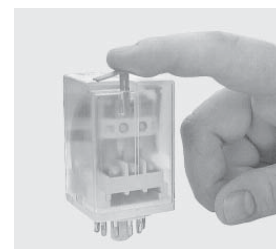
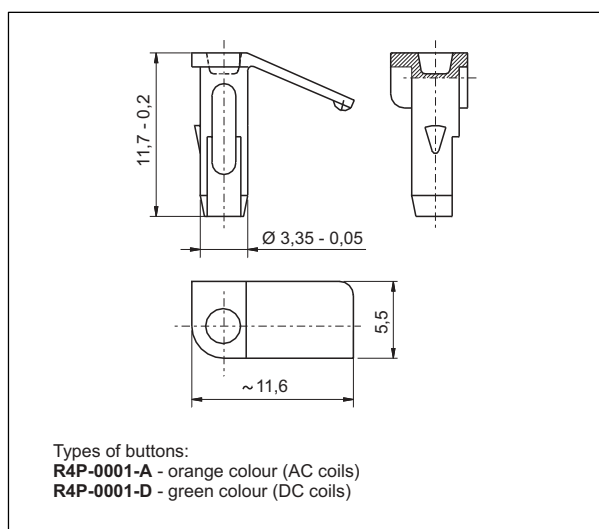
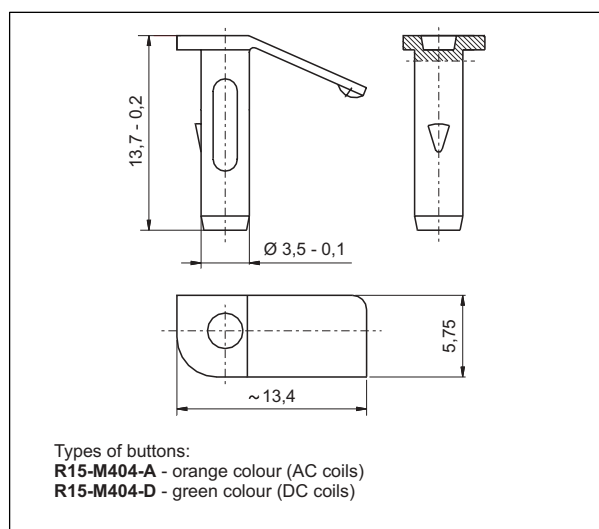


Fig. 2

Dimensions - test button R4P-0001
for relays R2...WT, R3...WT, R4...WT

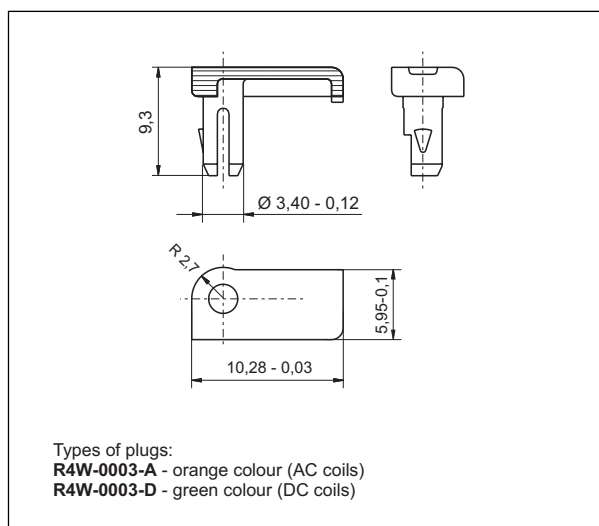


Dimensions - test button R15-M404
for relays R15...WT 2 C/O, R15...WT 3 C/O

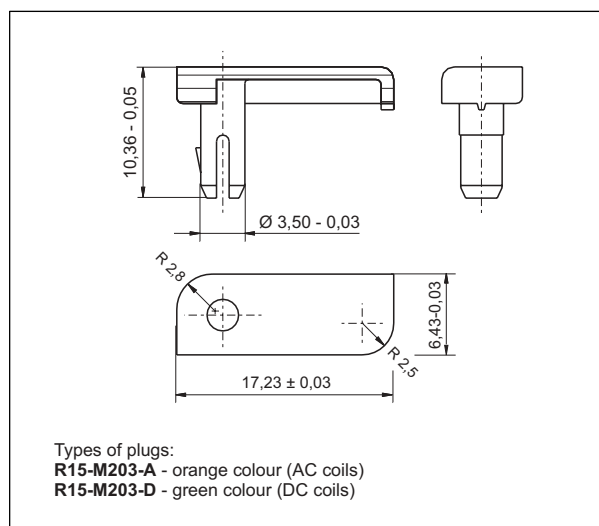


Plugs R4W-0003 or **R15-M203** can substitute button type **T** if manual operation (latching and testing) is not allowed. Changing button type **T** for plug can be done by Customer themselves in the same way as changing button type **T** for button (no latching).

Dimensions - plug R4W-0003
for relays R2...WT, R3...WT, R4...WT



Dimensions - plug R15-M203
for relays R15...WT 2 C/O, R15...WT 3 C/O





ZGGZ80 are designed for:

Plug-in sockets	Relays for plug-in sockets	Interface relays ①
GZT80	RM84, RM85,	PI84-...-M..G (GZT80 + RM84)
GZM80	RM85 inrush, RM85 105 °C sensitive,	PI84-...-00L. (GZM80 + RM84)
GZS80	RM87L ②, RM87P ②	PI85-...-M..G (GZT80 + RM85)
GZT92		PI85-...-00L. (GZM80 + RM85)
GZM92	RM87N ②	
GZS92		
ES 32	RM96 1 C/O	

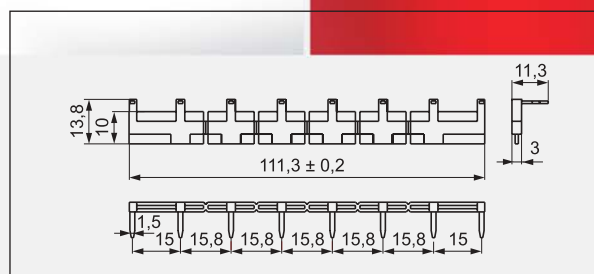
① Interface relay PI84 (PI85) is offered as a set: plug-in socket GZT80 or GZM80 + miniature relay RM84 (RM85) + signalling / protecting module type M.. + retainer / retractor clip GZT80-0040 + description plate GZT80-0035. ② Also versions RM87.. sensitive

NEW PRODUCT

Interconnection strip ZGGZ80

- designed for the co-operation with plug-in sockets of miniature relays and with interface relays PI84 and PI85, which are equipped with screw terminals; sockets and relays are mounted on 35 mm rail mount acc. to PN-EN 60715,
- bridges common input signals (coil terminals A1 or A2) or output signals - see photo at the top,
- maximum permissible current is 10 A / 250 V AC,
- possibility of connection of 8 sockets or relays,
- colours of strips: ZGGZ80-1 grey, ZGGZ80-2 black.

 NEW product





ZGGZ4 are designed for:

Plug-in sockets	Relays for plug-in sockets	Interface relays ①
GZT2	R2...WT	PIR2...-00L. (GZM2 + R2...WT)
GZM2		PIR3...-00L. (GZM3 + R3...WT)
GZT3	R3...WT	PIR4...-00L. (GZM4 + R4...WT)
GZM3		
GZT4	R4...WT	
GZM4		

① Interface relay PIR2 (PIR3, PIR4) is offered as a set: plug-in socket GZM2 (GZM3, GZM4) + miniature industrial relay R2 (R3, R4) + signalling / protecting module type M.. + retainer / retractor clip GZT4-0040 + description plate GZT4-0035.

NEW PRODUCT

Interconnection strip ZGGZ4

- designed for the co-operation with plug-in sockets of miniature industrial relays and with interface relays PIR2, PIR3 and PIR4, which are equipped with screw terminals; sockets and relays are mounted on 35 mm rail mount acc. to PN-EN 60715,
- bridges common input signals (coil terminals A1 or A2) or output signals - see photo at the top,
- maximum permissible current is 10 A / 250 V AC,
- possibility of connection of 6 sockets or relays,
- colours of strips: **ZGGZ4-1** grey, **ZGGZ4-2** black.

NEW product

