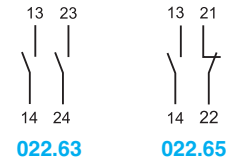
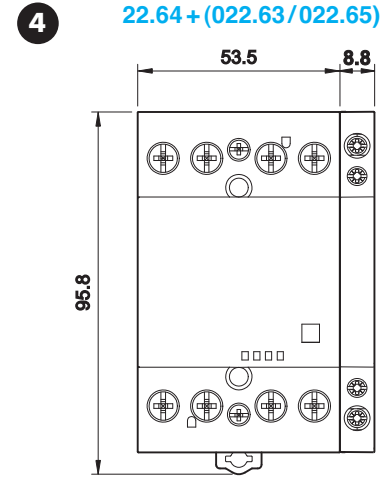
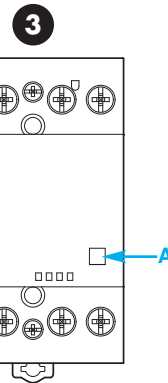
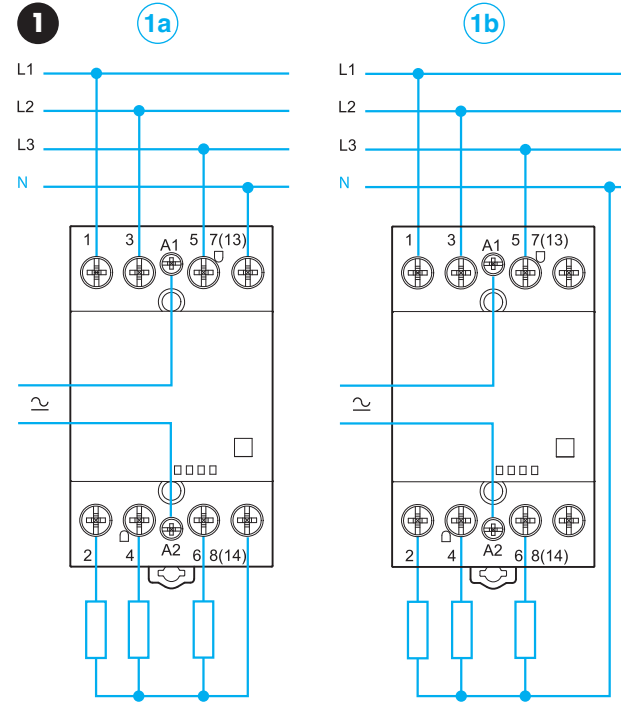
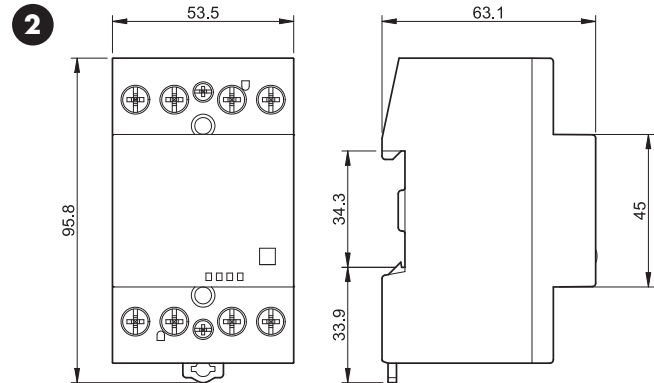




<b>22.64.0.xxx.4x10</b>			
	$U_N$ [12-24-110...120 (110 V DC) - 230...240 (220 V DC)] VAC (50/60 Hz) / DC $U_{min} - U_{max}$ (0.85-1.1) $U_N$ $P$ 5 VA (50 Hz) / 5 W		
	 A1 1 3 5 7(13) A2 2 4 6 8(14) 4 NO (4310)	 A1 1 3 5 7 A2 2 4 6 8 3 NO + 1 NC (4710)	 A1 1 3 5 7 A2 2 4 6 8 2 NO + 2 NC (4610)
	63 A 440 VAC (EN 61095: 2009 - EN 60947-4-1: 2009)		
	AC1/AC-7a (400 V) 24000 VA	5000 W	
	AC3/AC-7b (400 V) 30 A	2000 W	
	DC1 (30/110/220) V (63/4/1.2) A	CFL 1500 W	
	(M 3~) (400-440 VAC) 15 kW		
	(-5...+55)°C		
	IP20		



<b>022.63</b>	2 NO (DPST-NO)
<b>022.65</b>	1 NO (SPST-NO) + 1 NC (SPST-NC)
	AC1                      6 A AC15 (230 VAC)      700 VA

**22.64 MODULAR CONTACTORS 63 A**

Compliant with EN 61095: 2009 and with EN 60947-4-1: 2009.

**1 CONNECTION DIAGRAM**

- 1a** Line and neutral switched
- 1b** Line only switched

**2 OUTLINE DRAWINGS**

**3 FRONT VIEW**

A = Mechanical indicator

**4 ACCESSORIES**

Auxiliary contact module available (022.63/022.65) for "Quick assembly" to the main contactor.

**NOTE**

- The maximum ambient temperature for 3 adjacent contactors is +40°C. Where more than 3 contactors are installed, it is necessary to interpose an air gap of 9 mm between each group of three contactors.
- The maximum ambient temperature for 2 adjacent contactors is +55°C. Where more than 2 contactors are installed, it is necessary to interpose an air gap of 9 mm between each group of two contactors.
- Operate/release time: (20/45) ms.