



CONTACTOR, AC-3 37 KW/400 V, DC 24 V,
3-POLE, SIZE S3, SCREW CONNECTION

General technical data:

product brand name		SIRIUS
Size of the contactor		S3
Protection class IP / on the front		IP20
Degree of pollution		3
Installation altitude / at a height over sea level / maximum	m	2,000
Ambient temperature / during operating	°C	-25 ... +60
Mechanical operating cycles as operating time		
<ul style="list-style-type: none"> • of the contactor / typical • of the contactor with added auxiliary switch block / typical • of the contactor with added electronics-compatible auxiliary switch block / typical 		<p>10,000,000</p> <p>10,000,000</p> <p>5,000,000</p>

Main circuit:

Number of NC contacts / for main contacts		0
Number of NO contacts / for main contacts		3
Operating current		
<ul style="list-style-type: none"> • at AC-1 / at 400 V <ul style="list-style-type: none"> • at 40 °C ambient temperature / rated value • at 60 °C ambient temperature / rated value • at AC-3 / at 400 V / rated value 	<p>A</p> <p>A</p> <p>A</p>	<p>120</p> <p>100</p> <p>80</p>

• at AC-4 / at 400 V / rated value	A	66
• with 1 current path / at DC-1		
• at 24 V / rated value	A	100
• at 110 V / rated value	A	9
• with 2 current paths in series / at DC-1		
• at 24 V / rated value	A	100
• at 110 V / rated value	A	100
• with 3 current paths in series / at DC-1		
• at 24 V / rated value	A	100
• at 110 V / rated value	A	100
• with 1 current path / at DC-3 / at DC-5		
• at 24 V / rated value	A	40
• at 110 V / rated value	A	2.5
• with 2 current paths in series / at DC-3 / at DC-5		
• at 24 V / rated value	A	100
• at 110 V / rated value	A	100
• with 3 current paths in series / at DC-3 / at DC-5		
• at 24 V / rated value	A	100
• at 110 V / rated value	A	100
Service power		
• at AC-2 / at 400 V / rated value	kW	37
• at AC-3 / at 400 V / rated value	kW	37
• at AC-4 / at 400 V / rated value	W	37,000
Active power loss / per conductor / typical	W	7.7

Control circuit:		
Type of voltage / of the controlled supply voltage		DC
Control supply voltage / 1		
• for DC		
• rated value	V	24
Operating range factor control supply voltage rated value / of the magnet coil		
• for DC		0.8 ... 1.1
Pull-in power / of the solenoid / for DC	W	15
Holding power / of the solenoid / for DC	W	15

Auxiliary circuit:		
Contact reliability / of the auxiliary contacts		1 faulty switching per 100 million (17 V, 1 mA)
Number of NC contacts / for auxiliary contacts / instantaneous switching		0
Number of NO contacts / for auxiliary contacts / instantaneous switching		0

Operating current / of the auxiliary contacts		
• at AC-12 / maximum	A	10
• at AC-15		
• at 230 V	A	6
• at 400 V	A	3
• at DC-12		
• at 60 V	A	6
• at 110 V	A	3
• at 220 V	A	1
• at DC-13		
• at 24 V	A	10
• at 60 V	A	2
• at 110 V	A	1
• at 220 V	A	0.3

Short-circuit:

Design of the fuse link

- for short-circuit protection of the auxiliary switch / required
- for short-circuit protection of the main circuit
 - with type of assignment 1 / required
 - at type of coordination 2 / required

fuse gL/gG: 10 A

fuse gL/gG: 250 A

fuse gL/gG: 160 A

Installation/mounting/dimensions:

Type of mounting		screw and snap-on mounting onto 35 mm and 75 mm standard mounting rail
series installation		Yes
Width	mm	70
Height	mm	146
Depth	mm	152
Distance, to be maintained, to earthed part / sideways	mm	6

Connection type:

Design of the electrical connection

- for main current circuit
- for auxiliary and control current circuit

screw-type terminals

screw-type terminals

Type of the connectable conductor cross-section

- for main contacts
 - solid
 - stranded
 - finely stranded
 - with conductor end processing

2x (2.5 ... 16 mm²)

2x (4 ... 50 mm²)

2x (2.5 ... 35 mm²)

- without conductor final cutting
- for AWG conductors / for main contacts
- for auxiliary contacts
 - solid
 - finely stranded
 - with conductor end processing
- for AWG conductors / for auxiliary contacts

2x (4 ... 35 mm²)
 2x (10 ... 1/0)
 2x (0.5 ... 1.5 mm²), 2x (0.75 ... 2.5 mm²), max. 2x (0.75 ... 4 mm²)
 2x (0.5 ... 1.5 mm²), 2x (0.75 ... 2.5 mm²)
 2x (20 ... 16), 2x (18 ... 14), 1x 12

Certificates/approvals:

General Product Approval

Functional Safety / Safety of Machinery



[Type Examination](#)

Declaration of Conformity

Test Certificates



EG-Konf.

[other](#)

[Special Test Certificate](#)

Shipping Approval



ABS



BUREAU VERITAS



GL



LRS



RMRS

other

[Confirmation](#)

[other](#)

[Environmental Confirmations](#)

Further information:

Information- and Downloadcenter (Catalogs, Brochures,...)

<http://www.siemens.com/industrial-controls/catalogs>

Industry Mall (Online ordering system)

<http://www.siemens.com/industrial-controls/mall>

Cax online generator:

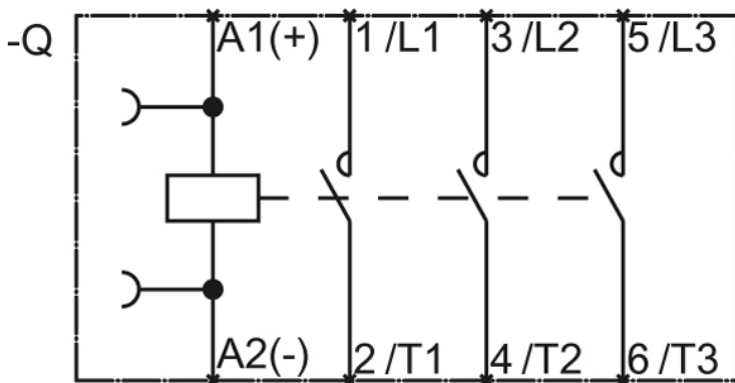
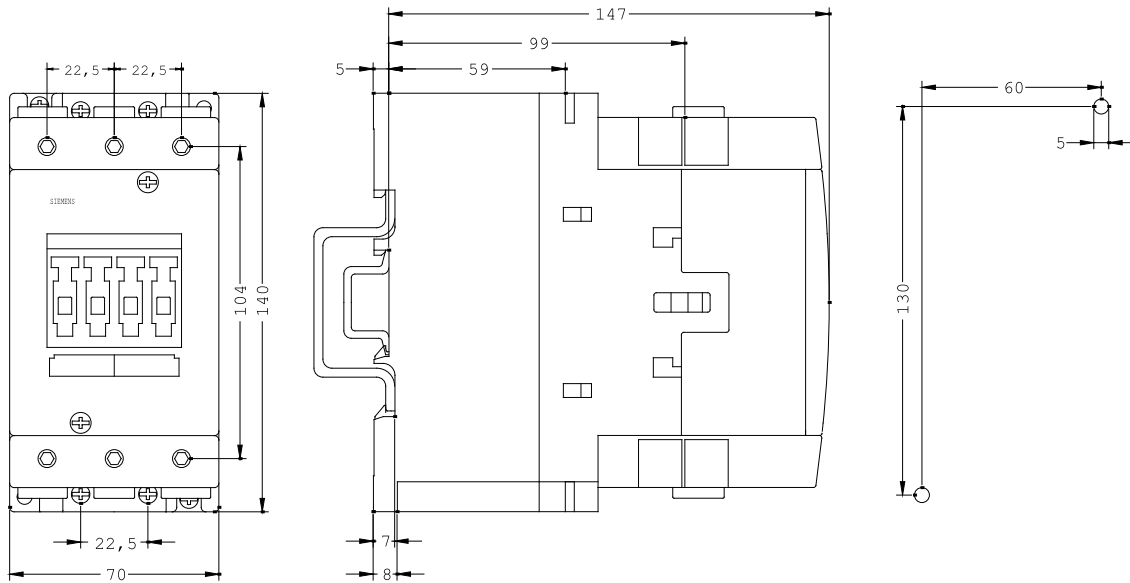
<http://www.siemens.com/cax>

Service&Support (Manuals, Certificates, Characteristics, FAQs,...)

<http://support.automation.siemens.com/WW/view/en/3RT1045-1BB40/all>

Image database (product images, 2D dimension drawings, 3D models, device circuit diagrams, ...)

http://www.automation.siemens.com/bilddb/cax_en.aspx?mlfb=3RT1045-1BB40



last change:

Sep 10, 2012