



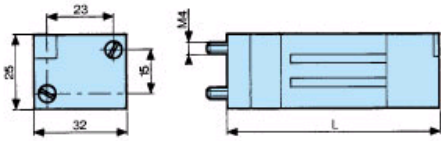
81507720-Adjustable



Symbol	
Delay (s)	0,1 →30
Frequency (Hz)	-
Operating pressure (bar)	2 →8
Flow at 6 bars NI/min	170
Orifice diameter mm	2,7
Accuracy %	±5
Reset min. time S	<0,1
Connection - Sub-base	✓
Operating temperature (° C)	-5 +50
Mechanical life (operations)	>10 ⁷
Weight (g)	180

Panel mounting adaptor	Weight (g)
79451904	53

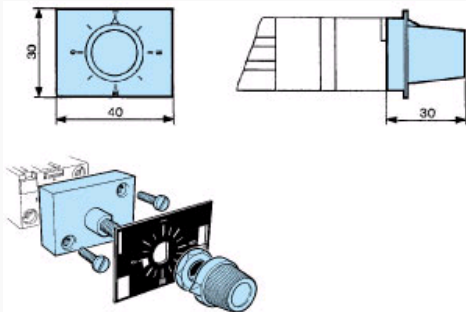
Dimension Diagram : 81 507 540 - 81 507 720



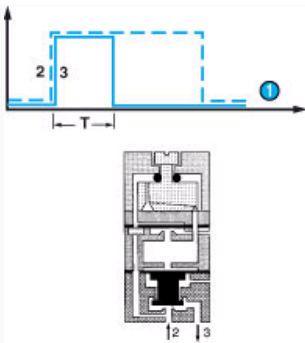
L (mm)

99 mm

Dimension Diagram : 79 451



: Adjustable impulse generator



N°	Legend
2	
3	Time

Curves :



N°	Legend
A	
B	

:

