



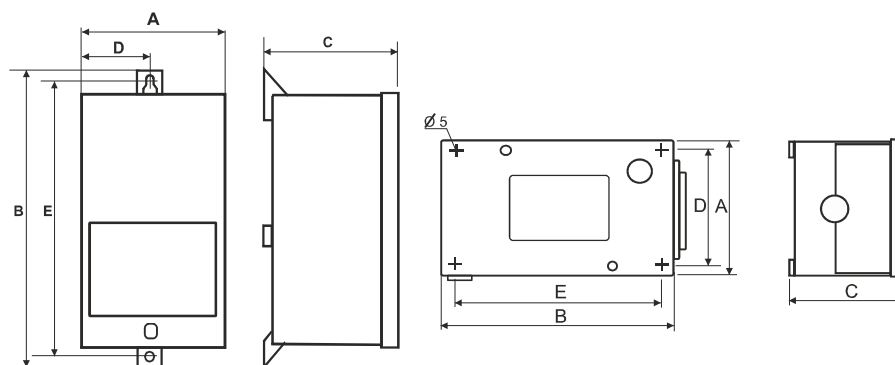
Encased protective transformers suited mainly for applications requiring protection against electric shock and high IP grade. PVS is a stationary version, free-standing or wall mounted. The transformers are made with Class II insulation and protection grade IP54, maximum ambient temperature 40°C, thermal class of insulation B (130°C). Manufactured in compliance with EN 61558-2-4 and EN 61558-2-6.



Rated power: 50 - 120 VA

Rated voltage PRI: 110 - 500 V 50/60 Hz

Rated voltage SEC: 6 - 250 V



PVS 50

PVS 120

Type	Power [VA]	Dimensions [mm]					Mounting	Weight [kg]
		A	B	C	D	E		
PVS 50	50	77	138	71	39	128	M4	1,20
PVS 120	120	96	166	91	78	148	M4	2,30

Because of the constant development of product construction and changes concerning technical requirements, Breve-Tufvassons Company reserves the right to change the parameters mentioned above.