



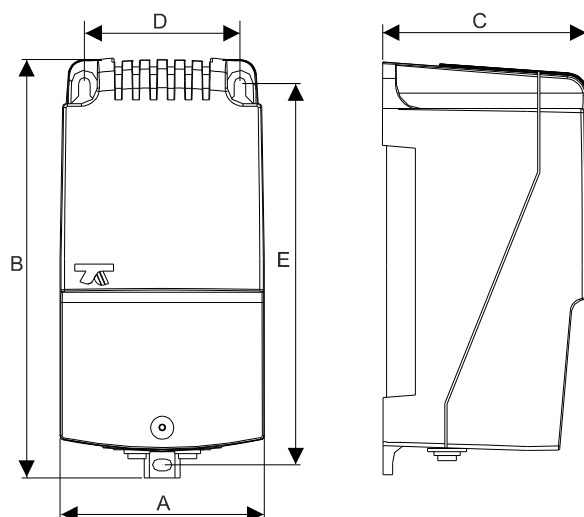
Encased protective transformers suited mainly for applications requiring protection against electric shock and high IP grade. PVS is a stationary version, free-standing or wall mounted. The transformers are made with Class II insulation and protection grade IP54, maximum ambient temperature 40°C, thermal class of insulation B (130°C). Manufactured in compliance with EN 61558-2-4 and EN 61558-2-6.



Rated power: 100 - 1000 VA

Rated voltage PRI: 110 - 500 V 50/60 Hz

Rated voltage SEC: 6 - 250 V



Type	Power [VA]	Dimensions [mm]					Mounting	Weight [kg]
		A	B	C	D	E		
PVS 100	100	90	175	90	71	160	M4	2,00
PVS 160	160	105	200	105	80	165	M5	3,10
PVS 250	250	105	200	105	80	165	M5	3,80
PVS 301	300	105	200	105	80	165	M5	3,90
PVS 320	320	123	240	125	105	220	M6	5,50
PVS 630	630	146	272	138	113	255	M5	9,50
PVS 800	800	146	272	138	113	255	M5	10,30
PVS 1000	1000	146	272	138	113	255	M5	10,50

As a result of constant development of product construction and changes concerning technical requirements, Breve Tufvassons reserves the right to change the parameters mentioned above.