

TSA Type – for tube amplifiers

Single-phase TSA type audio grade, toroidal transformers, manufactured and tested in compliance with EN 61558.

Toroidal transformers in audio grade realization can satisfy the most demanding electro-acoustic applications. They are marked by the highest quality, noise-free operation and excellent electrical parameters. They are custom made in order to satisfy the individual needs of the recipient.

The excellent performance of our products has been achieved by use of the highest quality laboratory selected components.

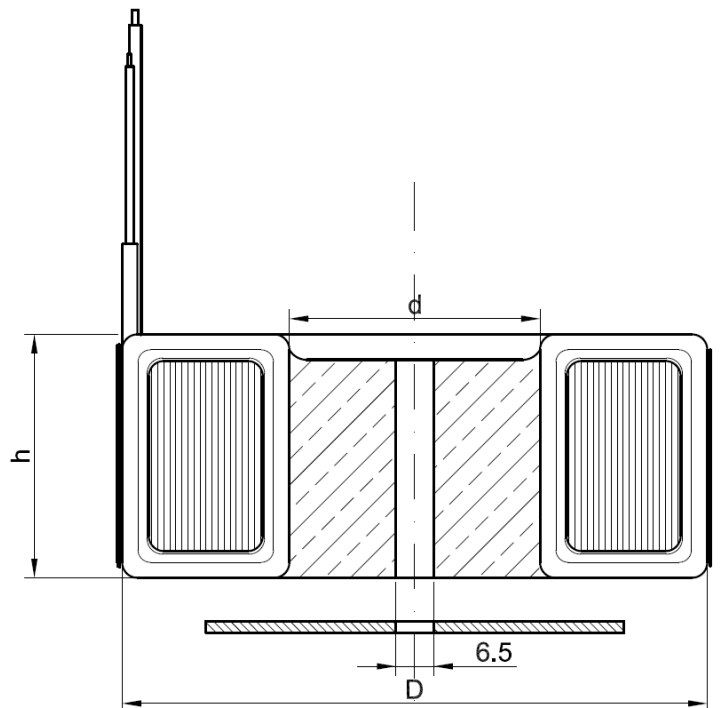
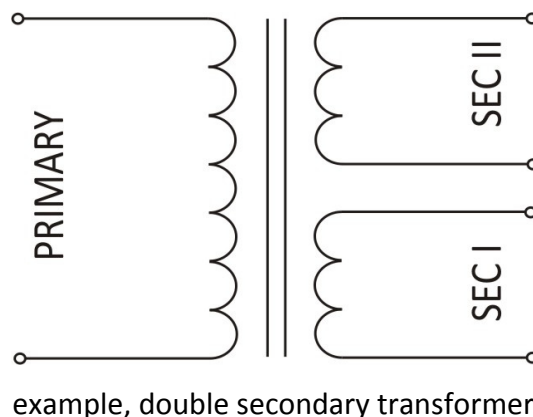
Modifications include but are not limited to: core and coil saturation, electrical and magnetic shields, enclosures filled with epoxy resin, and vibration-proof mounting.

Technical specification:

Nominal Power: 20 - 2000VA
 Input voltage: 1 – 500V
 Frequency: 50 – 60Hz
 Output voltage: 3 – 1000V (multiple taps)

Construction / Insulation class: II / B (130°C)
 Ambient temperature: 40°C
 Insulation voltage test: 4kVAC (RMS)

Wiring diagram:



Audio Grade TSTA types for tube amplifiers:

| | | |
|---------------------|--------------------------|-----------------|
| Type: | TSTA 40/001 | |
| Input voltage: | 2x 115V | |
| Frequency: | 50/60Hz | |
| Nominal Power: | 40VA | |
| Secondary voltages: | | Nominal Current |
| SEC I | 235V | 75mA |
| SEC II | 3,15 - 0 - 3,15V | 3A |
| Dimensions: | 77mm x 30mm (h) / 0,6 kg | |

| | | |
|---------------------|--------------------------|-----------------|
| Type: | TSTA 40/002 | |
| Input voltage: | 2x 115V | |
| Frequency: | 50/60Hz | |
| Nominal Power: | 40VA | |
| Secondary voltages: | | Nominal Current |
| SEC I | 200-0-200V | 40mA |
| SEC II | 3,15 - 0 - 3,15V | 2,5A |
| Dimensions: | 77mm x 30mm (h) / 0,6 kg | |

| | | |
|---------------------|--------------------------|-----------------|
| Type: | TSTA 50/002 | |
| Input voltage: | 2x 115V | |
| Frequency: | 50/60Hz | |
| Nominal Power: | 50VA | |
| Secondary voltages: | | Nominal Current |
| SEC I | 200V | 100mA |
| SEC II | 15V | 2A |
| Dimensions: | 83mm x 33mm (h) / 0,7 kg | |

| | | |
|---------------------|---------------------------|-----------------|
| Type: | TSTA 60/002 | |
| Input voltage: | 2x 115V | |
| Frequency: | 50/60Hz | |
| Nominal Power: | 60VA | |
| Secondary voltages: | | Nominal Current |
| SEC I | 250V | 150mA |
| SEC II | 3,15 - 0 - 3,15V | 2,5A |
| Dimensions: | 85mm x 34mm (h) / 0,75 kg | |

| | | |
|---------------------|--------------------------|-----------------|
| Type: | TSTA 80/001 | |
| Input voltage: | 2x 115V | |
| Frequency: | 50/60Hz | |
| Nominal Power: | 80VA | |
| Secondary voltages: | | Nominal Current |
| SEC I | 275V | 120mA |
| SEC II | 3,2 - 0 - 3,2V | 7A |
| Dimensions: | 94mm x 40mm (h) / 1,1 kg | |

| | | |
|---------------------|--------------------------|-----------------|
| Type: | TSTA 80/002 | |
| Input voltage: | 2x 115V | |
| Frequency: | 50/60Hz | |
| Nominal Power: | 80VA | |
| Secondary voltages: | | Nominal Current |
| SEC I | 280V | 150mA |
| SEC II | 3,2 - 0 - 3,2V | 1,5A |
| SEC III | 3,2 - 0 - 3,2V | 1,5A |
| SEC IV | 3,2 - 0 - 3,2V | 1,5A |
| SEC V | 3,2 - 0 - 3,2V | 1,5A |
| Dimensions: | 94mm x 40mm (h) / 1,1 kg | |

| | | |
|---------------------|--------------------------|-----------------|
| Type: | TSTA 120/002 | |
| Input voltage: | 2x 115V | |
| Frequency: | 50/60Hz | |
| Nominal Power: | 120VA | |
| Secondary voltages: | | Nominal Current |
| SEC I | 250V | 300mA |
| SEC II | 3,15 - 0 - 3,15V | 4,5A |
| Dimensions: | 95mm x 42mm (h) / 1,3 kg | |

| | | |
|---------------------|-------------------------|-----------------|
| Type: | TSTA 200/003 | |
| Input voltage: | 2x 115V | |
| Frequency: | 50/60Hz | |
| Nominal Power: | 200VA | |
| Secondary voltages: | | Nominal Current |
| SEC I | 300 – 0 – 300V | 200mA |
| SEC II | 5V | 4A |
| SEC III | 2,5V | 5A |
| SEC IV | 2,5V | 5A |
| SEC V | 3,15 - 0 - 3,15V | 3A |
| Dimensions: | 115mm x 46mm (h) / 2 kg | |

| | | |
|---------------------|-------------------------|-----------------|
| Type: | TSTA 220/001 | |
| Input voltage: | 2x 115V | |
| Frequency: | 50/60Hz | |
| Nominal Power: | 220VA | |
| Secondary voltages: | | Nominal Current |
| SEC I | 270 – 0 – 270V | 300mA |
| SEC II | 0 – 5 – 6,3V | 2A |
| SEC III | 6,3V | 3A |
| SEC IV | 6,3V | 3A |
| Dimensions: | 117mm x 47mm (h) / 2 kg | |

| | | |
|---------------------|--------------------------|-----------------|
| Type: | TSTA 250/001 | |
| Input voltage: | 2x 115V | |
| Frequency: | 50/60Hz | |
| Nominal Power: | 220VA | |
| Secondary voltages: | | Nominal Current |
| SEC I | 0 – 275 – 330V | 400mA |
| SEC II | 50V | 0,1A |
| SEC III | 6,3V | 7A |
| SEC IV | 6,3V | 7A |
| SEC V | 6,3V | 2A |
| Dimensions: | 117mm x 47mm (h) / 2,3kg | |

| | | |
|---------------------|--------------------------|-----------------|
| Type: | TSTA 250/002 | |
| Input voltage: | 2x 115V | |
| Frequency: | 50/60Hz | |
| Nominal Power: | 220VA | |
| Secondary voltages: | | Nominal Current |
| SEC I | 390 – 0 – 390V | 240mA |
| SEC II | 3,15 – 0 – 3,15V | 5,4A |
| SEC III | 6,3V | 3,8A |
| Dimensions: | 117mm x 47mm (h) / 2,3kg | |