



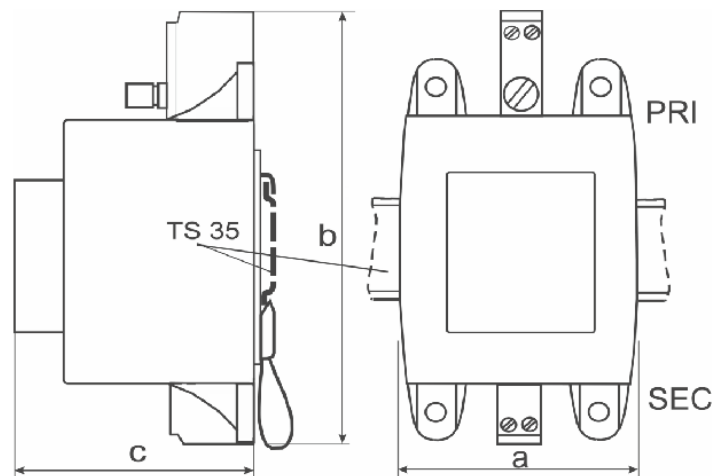
Encased protection transformers designed mainly for fitting into devices using T-35 bus. Elegant casing, featuring spring bracket significantly facilitates and speeds up attaching. The transformers are made with Class II insulation and protection grade IP30. Maximum ambient temperature 40°C, thermal class of insulation B (130°C). Manufactured in compliance with EN 61558-2-4 and EN 61558-2-6.



Rated power: 100 - 200 VA

Rated voltage PRI: 110 - 500 V 50/60 Hz

Rated voltage SEC: 6 - 250 V



Type	Power (VA)	Dimensions (mm)			Weight (kg)
		A	B	C	
PSZ 100	100	76	142	64	1,70
PSZ 160	160	87	155	76	2,70
PSZ 200	200	87	155	85	3,20

Type	PRI/SEC	230V/ 12V	230V/ 24V	230V/110V	230V/230V
		Art. Nr	Art. Nr	Art. Nr	Art. Nr
PSZ 100		16012-9960	16024-9950	16045-9974	16052-9959
PSZ 160		16012-9959	16024-9952	16045-9976	16052-9967
PSZ 200		16012-9958	16024-9951	16045-9975	16052-9966

As a result of constant development of product construction and changes concerning technical requirements, Breve Tufvassons reserves the right to change the parameters mentioned above.