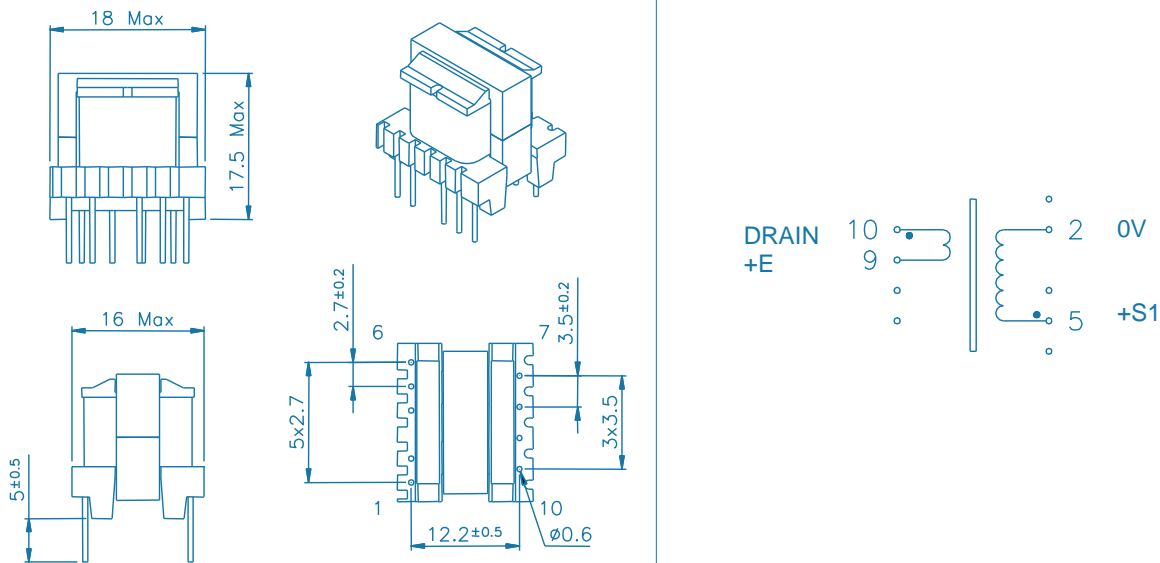


Type TINY SWITCH	Size E16	Output 5 V or 12 V	MYRRA P/N 74092 - 74093
----------------------------	--------------------	------------------------------	-----------------------------------

Product designation

FLYBACK TRANSFORMER

MECHANICAL CHARACTERISTICS - PINOUT



Pin 3 removed
Recommended PCB drilling diameter : 1.1 mm

ELECTRICAL CHARACTERISTICS

MYRRA P/N	Maximum output power	Windings					
			Pins	Turns	Voltage	Maximum current	Inductance (+/- 10 %)
74092	3.1 W	P	10 - 9	191	85 ~ 265 V _{rms}	0.34 A _{pk}	4.2 mH
		S1	5 - 2	13	3.3 ~ 6.0 V _{DC}	0.90 A _{DC}	
74093	3.1 W	P	10 - 9	191	85 ~ 265 V _{rms}	0.34 A _{pk}	4.2 mH
		S1	5 - 2	24	7.5 ~ 15.0 V _{DC}	0.40 A _{DC}	

REMARKS

RoHS compliant

UL94 V-0 materials

Class B

Ambient temperature: 70°C max.

P / S :

Creepage distances ≥ 6.0 mm

4.0 kV dielectric test

Construction conforms to IEC60950, IEC60335 and IEC61558-2-16 for reinforced isolation