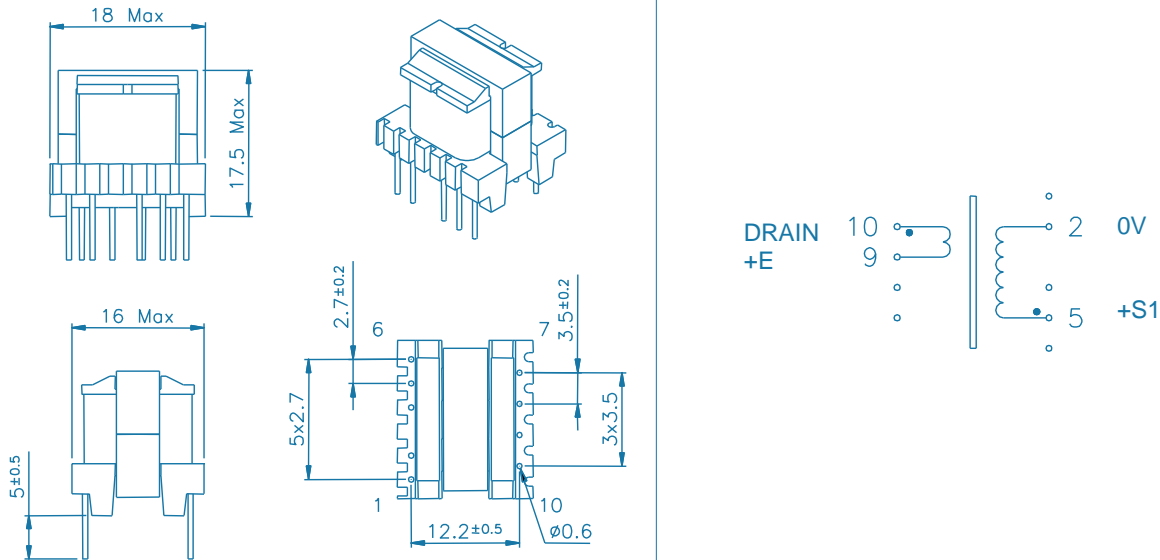


Type <b>TINY SWITCH</b>	Size <b>E16</b>	Output <b>5 V or 12 V</b>	MYRRA P/N <b>74090 - 74091</b>
----------------------------	--------------------	------------------------------	-----------------------------------

Product designation

## FLYBACK TRANSFORMER

### MECHANICAL CHARACTERISTICS - PINOUT



Pin 3 removed  
Recommended PCB drilling diameter : 1.1 mm

### ELECTRICAL CHARACTERISTICS

MYRRA P/N	Maximum output power	Windings					
			Pins	Turns	Voltage	Maximum current	Inductance (+/- 10 %)
74090	1.5 W	P	10 - 9	228	85 ~ 265 V <sub>rms</sub>	0.28 A <sub>pk</sub>	6.0 mH
		S1	5 - 2	16	3.3 ~ 6.0 V <sub>DC</sub>	0.40 A <sub>DC</sub>	
74091	1.5 W	P	10 - 9	228	85 ~ 265 V <sub>rms</sub>	0.28 A <sub>pk</sub>	6.0 mH
		S1	5 - 2	28	7.5 ~ 15.0 V <sub>DC</sub>	0.20 A <sub>DC</sub>	

### REMARKS

RoHS compliant

UL94 V-0 materials

Class B

Ambient temperature: 85°C max.

P / S :

Creepage distances ≥ 6.0 mm

4.0 kV dielectric test

Construction conforms to IEC60950, IEC60335 and IEC61558-2-16 for reinforced isolation