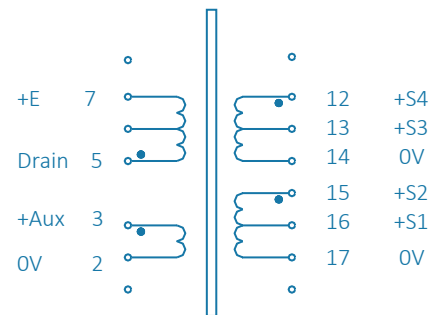
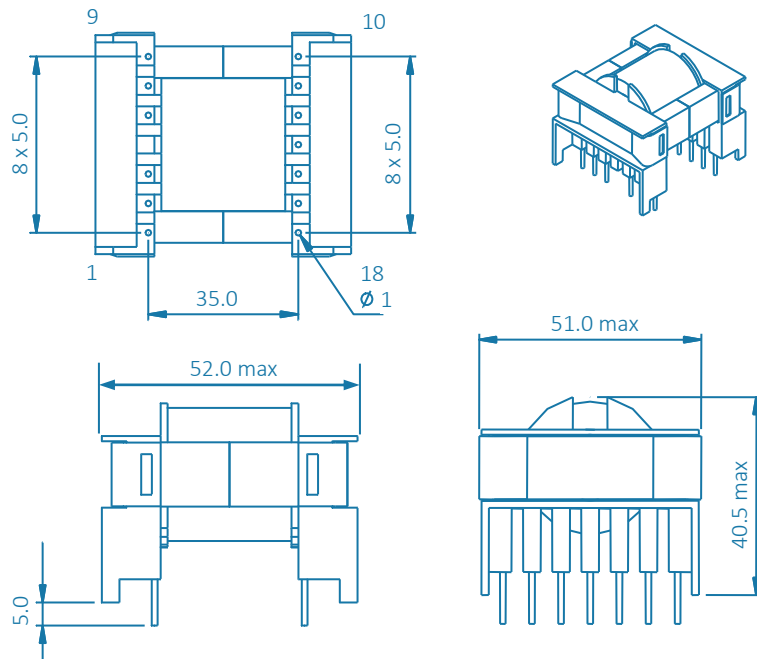


Type <b>FLYBACK</b>	Size <b>ETD44</b>	Output <b>5 + 12 V - 5 + 12 V</b>	MYRRA P/N <b>74070</b>
Product designation			

## FLYBACK TRANSFORMER – ETD44

### MECHANICAL CHARACTERISTICS - PINOUT



Pin 4 removed  
Recommended PCB drilling diameter : 1.5 mm

### ELECTRICAL CHARACTERISTICS

MYRRA P/N	Maximum output power	Windings					
			Pins	Turns	Voltage	Maximum current	Inductance (+/- 10%)
74070	180 w	P	5 - 7	38	85 ~ 265 Vrms	8.0 A <sub>pk</sub>	0.30 mH
		Aux.	3 - 2	4	7.0 ~ 14.0 V <sub>DC</sub>	0.5 A <sub>DC</sub>	
		S1	16 - 17	2	3.3 ~ 6.5 V <sub>DC</sub>	6.0 A <sub>DC</sub>	
		S2	15 - 17	5	8.5 ~ 17.0 V <sub>DC</sub>	5.0 A <sub>DC</sub>	
		S3	13 - 14	2	3.3 ~ 6.5 V <sub>DC</sub>	6.0 A <sub>DC</sub>	
		S4	12 - 14	5	8.5 ~ 17.0 V <sub>DC</sub>	5.0 A <sub>DC</sub>	
	<b>Typical uses</b>	<b>Outputs</b>		<b>Connections of the windings</b>			
		5.0 V - 12 A + 12.0 V - 10.0 A		S1 + S2 and S3 + S4 in parallel			
		5.0 + 12.0 + 17.0 + 24.0 V		S1 to S4 in series (pins 14 and 15 linked)			

### REMARKS

RoHS compliant

UL94 V-0 materials

Class B

Ambient temperature: 50 °C max.

P / S :

Creepage distances ≥ 8.0 mm

4.0 kV dielectric test

Construction conforms to IEC60950, IEC60335 and IEC61558-2-16 for reinforced isolation