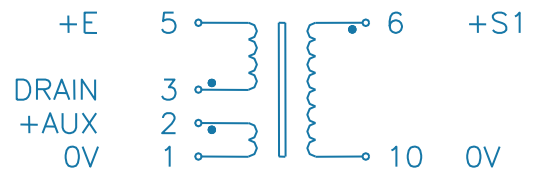
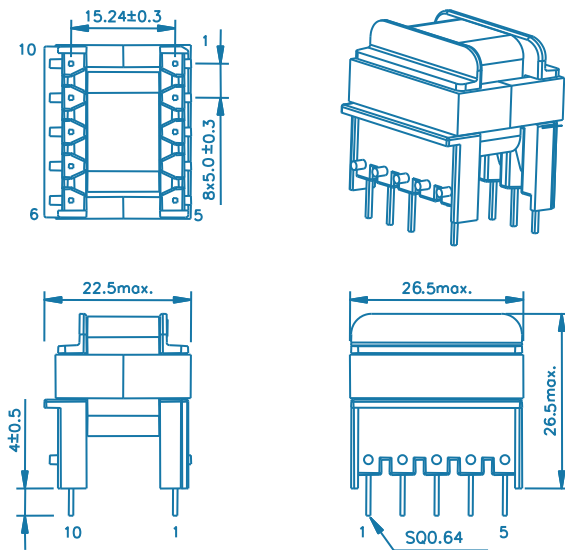


Type <b>FLYBACK</b>	Size <b>E25</b>	Output <b>24 V</b>	MYRRA P/N <b>74032</b>
------------------------	--------------------	-----------------------	---------------------------

Product designation

## FLYBACK TRANSFORMER - E25 - 24 V - 35 W

### MECHANICAL CHARACTERISTICS - PINOUT



Pin 4 removed  
PCB recommended drilling diameter : 1.4 mm

### ELECTRICAL CHARACTERISTICS

MYRRA P/N	Maximum output power	Windings					
			Pins	Turns	Voltage	Maximum current	Inductance (+/- 10%)
74032	35.0 W	P	3 - 5	72	85 ~ 265 V <sub>rms</sub>	1.1 A <sub>pk</sub>	1.1 mH
		Aux.	2 - 1	10	8.0 ~ 16.0 V <sub>DC</sub>	1.0 A <sub>DC</sub>	
		S1	6 - 10	18	15.0 ~ 30.0 V <sub>DC</sub>	1.4 A <sub>DC</sub>	

### REMARKS

RoHS compliant

UL94 V-0 materials

Class B

Ambient temperature: 50 °C max.

P / S :

Creepage distances ≥ 6.0 mm

4.0 kV dielectric test

Construction conforms to IEC60950, IEC60335 and IEC61558-2-16 for reinforced isolation