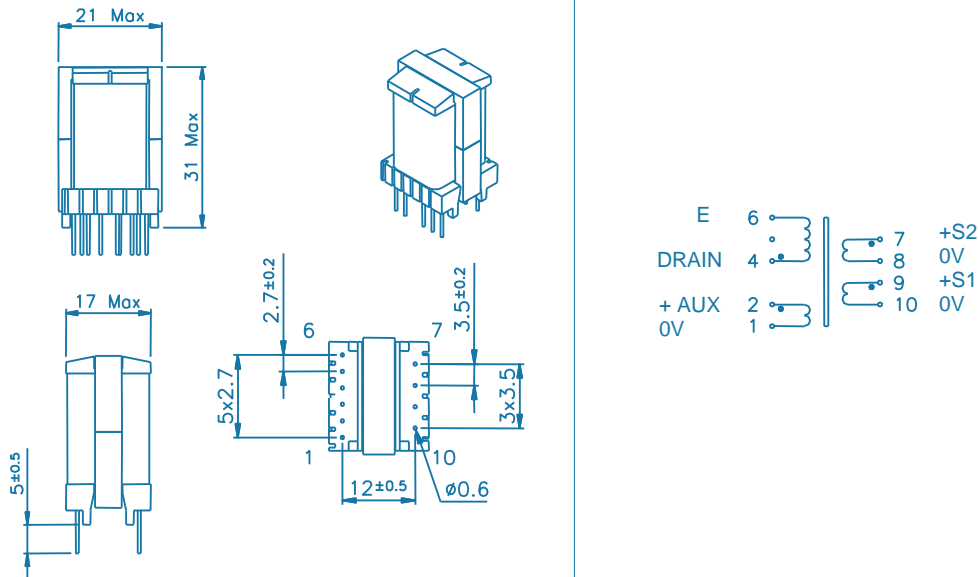


| | | | | | | | |
|------|----------------|------|-------------|--------|---------------------|-----------|----------------------|
| Type | FLYBACK | Size | EL19 | Output | 5 & 12 V | MYRRA P/N | 74020 - 74021 |
|------|----------------|------|-------------|--------|---------------------|-----------|----------------------|

Product designation

FLYBACK TRANSFORMER - EL19 - 5 and 12 V - 18 W

MECHANICAL CHARACTERISTICS - PINOUT



PCB recommended drilling diameter : 1.1 mm
Pin 3 removed.

ELECTRICAL CHARACTERISTICS

| MYRRA P/N | Maximum output power | Windings | | | | | |
|-----------|----------------------|----------|--------|-------|----------------------------|---------------------|----------------------|
| | | | Pins | Turns | Voltage | Maximum current | Inductance (+/- 10%) |
| 74020 | 18.0 W | P | 4 - 6 | 108 | 85 ~ 265 V _{rms} | 0.8 A _{pk} | 1.25 mH |
| | | Aux. | 2 - 1 | 12 | 7.0 ~ 14.0 V _{DC} | 0.1 A _{DC} | |
| | | S1 | 9 - 10 | 6 | 3.3 ~ 7.0 V _{DC} | 3.0 A _{DC} | |
| | | S2 | 7 - 8 | 14 | 8.0 ~ 16.5 V _{DC} | 1.4 A _{DC} | |
| 74021 | 18.0 W | P | 4 - 6 | 108 | 85 ~ 265 V _{rms} | 1.1 A _{pk} | 0.90 mH |
| | | Aux. | 2 - 1 | 12 | 7.0 ~ 14.0 V _{DC} | 0.1 A _{DC} | |
| | | S1 | 9 - 10 | 6 | 3.3 ~ 7.0 V _{DC} | 3.0 A _{DC} | |
| | | S2 | 7 - 8 | 14 | 8.0 ~ 16.5 V _{DC} | 1.4 A _{DC} | |

REMARKS

RoHS compliant

UL94 V-0 materials

Class B

Ambient temperature: 50 °C max.

P + Aux. / S1 + S2 :

Construction conforms to IEC60950, IEC60335 and IEC61558-2-16 for reinforced isolation

Creepage distances ≥ 6.0 mm

4.0 kV dielectric test