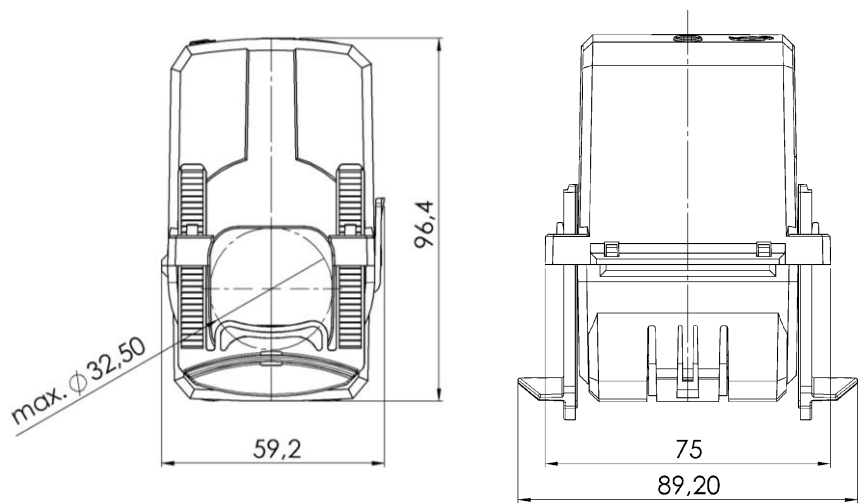


KBR 32 Split-core current transformer



Dimensions:

Round conductor: 32.5 mm
Transformer width: 59.2 mm
Transformer height: 96.4 mm
Transformer depth incl. fixing clasps: 89.2 mm

General technical specifications:

Thermal nominal continuous rated current I_{cth} : $1.2 \times I_N$
Thermal nominal short-time current I_{th} : $60 \times I_N$, 1 Sek.
Maximum operating voltage U_m : 0.72 kV
Isolation test voltage: 3 kV, U_{eff} , 50 Hz, 1 min.
Rated frequency: 50 Hz
Isolation class: E
Applicable technical standards: DIN EN 60044/1
VDE 0414 Teil 1

Further information about our new split-core current transformer KBR 32:

- Split-core current transformers are mainly used for an easy fitment and subsequent assembly into an already existing installation, without separating the primary conductor.
- The compact split-core current transformer KBR 32 has been developed to have easy access in already existing installations.
- Due to the „click“-system and the fixing-clasps even a one-hand mounting is possible.
- The KBR 32 with secondary 1A will be delivered with 2.5 m connection cable $2 \times 0.75 \text{ mm}^2$ (color coded; S1 = brown; S2 = blue). Other lengths of the connection cables are possible on request. The secondary 5A – version will be delivered with 0.5m connection cable $2 \times 1.5 \text{ mm}^2$.
- For the use as a current sensor the KBR 32 is optionally deliverable with a voltage output of 0 – 333 mV (min. burden resistance $\geq 1 \text{ k}\Omega$).
Moreover the KBR 32 is deliverable as a measuring transducer with a measuring output of 4...20 mA DC.
- Operating temperature: $-5^\circ\text{C} < T < +50^\circ\text{C}$
- Storage temperature: $-25^\circ\text{C} < T < +70^\circ\text{C}$

Order list

Secondary current		5A		1A		Output signal	0...333 mV AC	4...20 mA DC
Primary-current [A]	Burden [VA]	Accuracy class		Accuracy class		Primary-current [A]	Accuracy class	Accuracy class
		3FS5	1FS5	3FS5	1FS5		1	1
		Art.-no.	Art.-no.	Art.-no.	Art.-no.		Art.-no.	Art.-no.
100	1.5	32-5011				100	32-1011	32-2011
	2.5			32-0011				
125	2.5	32-5016				125	32-1016	32-2016
	3			32-0016				
150	3	32-5021		32-0021		150	32-1021	32-2021
200	3	32-5026				200	32-1026	32-2026
	5			32-0026				
250	3	32-5031				250	32-1031	32-2031
	5			32-0031				
300	2.5		32-5035			300	32-1034	32-2034
	5				32-0035			
400	5		32-5037		32-0037	400	32-1036	32-2036
500	5		32-5039		32-0039	500	32-1038	32-2038
600	5		32-5041		32-0041	600	32-1040	32-2040

Technical characteristics for the KBR with output signal 4...20 mA:

- 2-wire connection, auxiliary power via output circuit
- Auxiliary power: 24 V DC \pm 15 %, $P_V = \text{max. } 1 \text{ VA}$
- Load-independent DC current: Live-zero, 4...20 mA
- External resistance: max. 300 Ω
- Current limit under overload: < 30 mA
- Residual ripple of the output current: $\leq 1 \%$ p.p.
- Response time: < 300 ms

Wiring diagram of the KBR 32 (4...20 mA):

