



## AZ Series Flying Lead Current Transformers

- Very high output voltage & Linearity in small size
- Integral flying for ease of installation
- Large center-hole allows 6.3mm tabs
- Dielectric withstand voltage 4KVrms
- Operating temperature range -40 to +85°C
- All materials UL94-V0

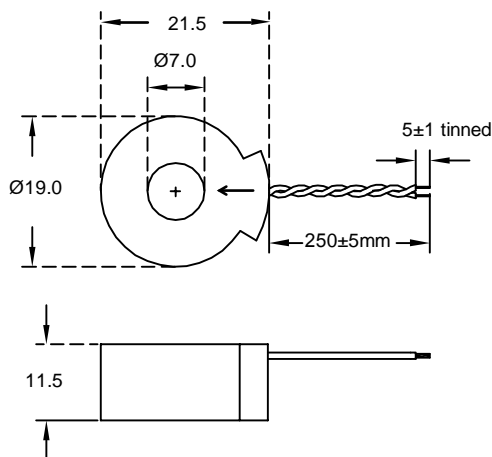


### Lead Outs

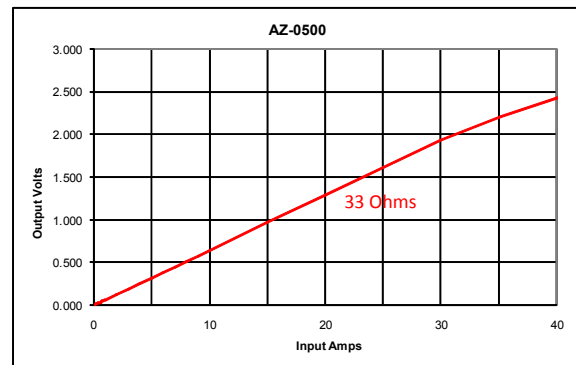
Flex UL1569 AWG24, 300V Rating, 250±5mm long out of trafo with 5mm tinned ends

Electrical Specifications @ 20°C			
	AZ-0500	AZ-0750	AZ-1000
Operating Frequency in Hz	50/60	50/60	50/60
Maximum Primary current in Amps	25	40	50
Turns Ratio Nominal	500:1	750:1	1000:1
DC Resistance in $\Omega$ Nominal	18	35	72
Rated Burden Resistance in $\Omega$	33	33	33

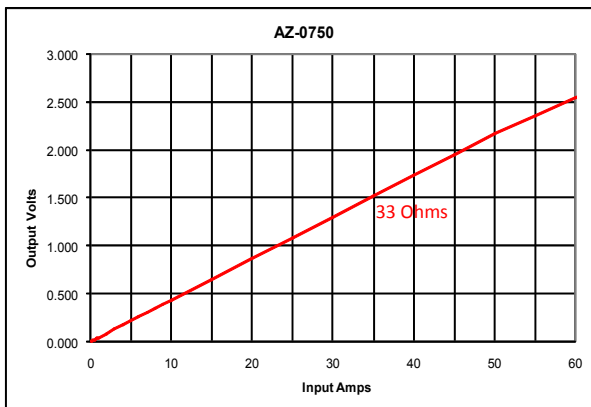
### Mechanical Drawing



### Input current vs Output voltage



### Input current vs Output voltage



### Input current vs Output voltage

