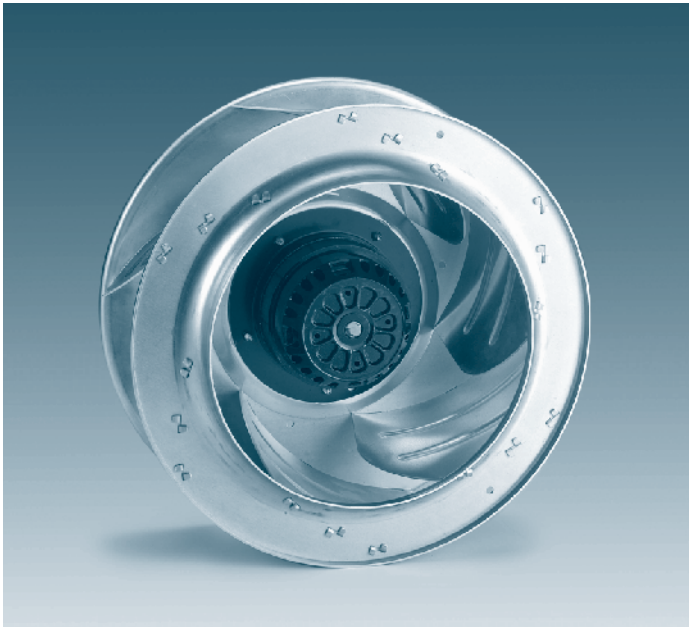
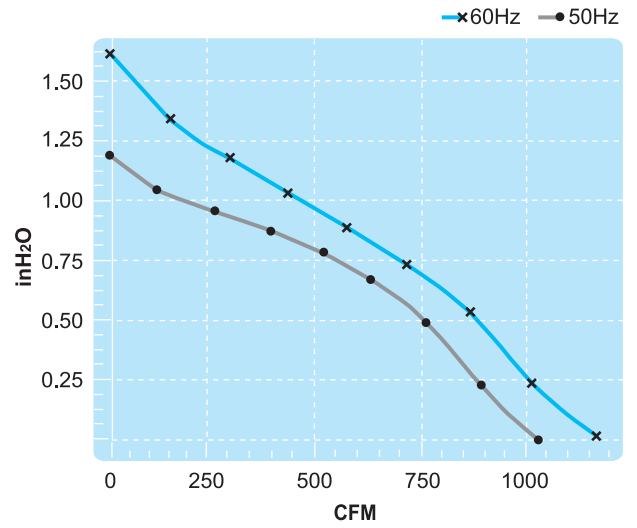


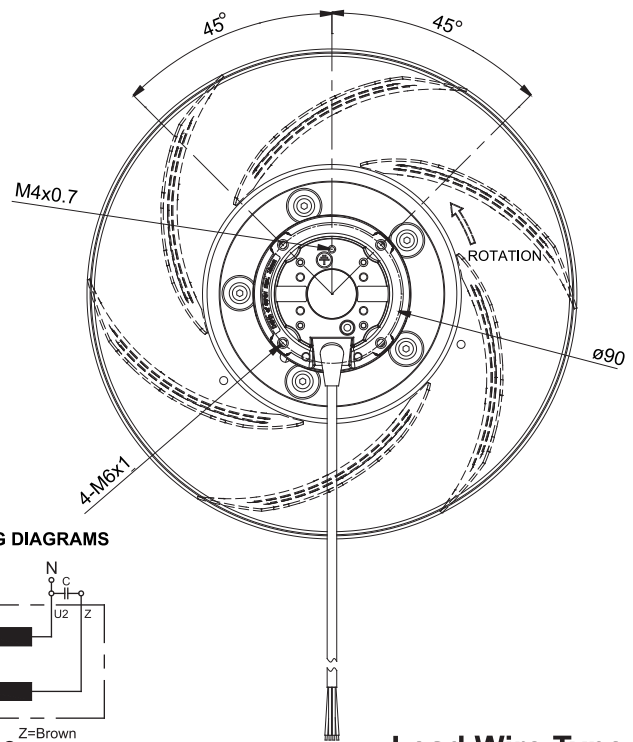
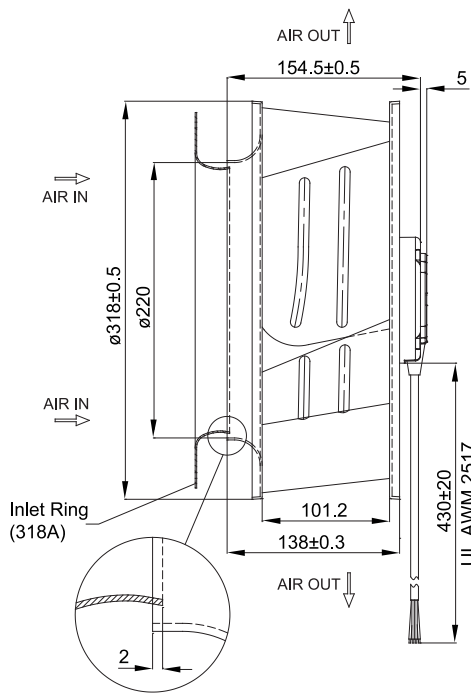
# UF318AAA Series



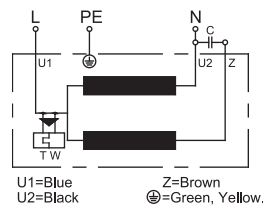
## (Centrifugal Fan)



### Thermal Protection



### MOTOR WIRING DIAGRAMS



### Lead Wire Type



Spec.	Rated Voltage	Frequency	Input Power	Rated Current	Locked Current	Speed	Maximum Air Flow	Maximum Air Flow	Maximum Pressure	Maximum Pressure	Capacitor	Noise	Weight
Model	V	Hz	W	A	A	RPM	m <sup>3</sup> /min.	CFM	mmH <sub>2</sub> O	InchH <sub>2</sub> O	uF/VDB	dB	kg
UF318AAA11H1C4A	115V	50	115	1.10	2.60	1390	28.7	1015	30.5	1.2	16/250	63	3.9
		60	155	1.40	2.40	1580	33.0	1165	40.6	1.6		66	
UF318AAA23H1C4A	230V	50	115	0.60	1.43	1390	28.7	1015	30.5	1.2	4/450	63	3.9
		60	155	0.68	1.31	1580	33.0	1165	40.6	1.6		66	