

# MA Fans Quick Start Guide

## 1. Introduction

Dear Customer! Thank you for your purchase in TME! To protect the environment we have prepared for you this quick start guide. Before operating the unit, please read it carefully. Please visit [www.tme.eu](http://www.tme.eu)

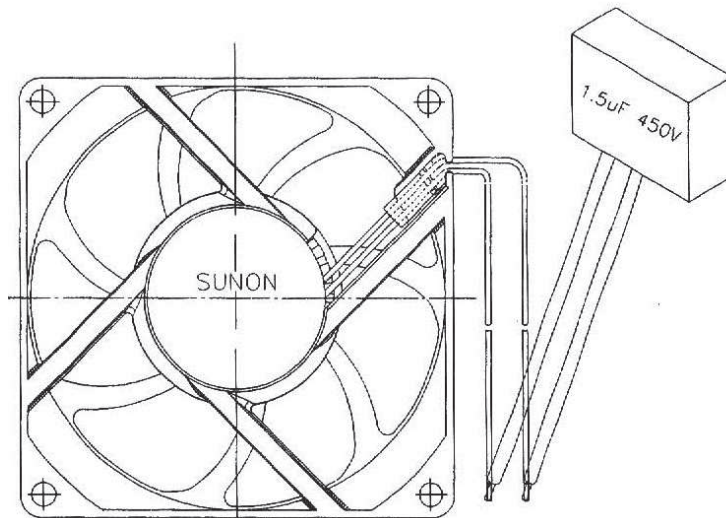
Illustrations in this manual are only example images and may differ from the actual item. It does not change their main characteristics.

## 2. Application

The device is designed for cooling electronic systems and electrical appliances.

## 3. Unit setup and operation

- Connect the device observing correct polarity to the appropriate voltage.
- Connect additional capacitor as shown on picture below. Capacitor can help to improve EMC suppression of system, but if customer's system already complies with EMC directive, it is not necessary to add capacitor into the system.



## 4. Precautions

- Do not exceed the rated operating parameters.
- Installation and electrical connection of the fan with the filter must be performed by a person skilled in the electrical industry in conformance with prevailing regulations of local energy companies.
- Since the device is installed permanently, you must install all poles circuit breaker.
- Installation must provide adequate protection measures and protection against electric shock.
- The fan with the filter is a class I, grounded protection device.
- Never use the device if it has been damaged or is not working properly.
- Do not touch the running fan, as this may result in personal injury.



**Transfer Multisort Elektronik Sp. z o.o.**

ul. Ustronna 41, 93-350 Łódź, Poland, correspondence address: 90-951 Łódź 40, PO BOX 2071  
tel. +48 42 645 54 44, fax +48 42 645 54 70, [export@tme.eu](mailto:export@tme.eu), [www.tme.eu](http://www.tme.eu)

VAT ID: PL7290108984, REGON (NACE): 473171710, District Court for Łódź-Śródmieście, NCR: 0000165815, initial capital: 3 300 000 PLN