

ebm-papst Mulfingen GmbH & Co. KG

Bachmühle 2
 74673 Mulfingen
 Phone: +49 7938 81-0
 Fax: +49 7938 81-110
 www.ebmpapst.com
 info1@de.ebmpapst.com

Nominal data

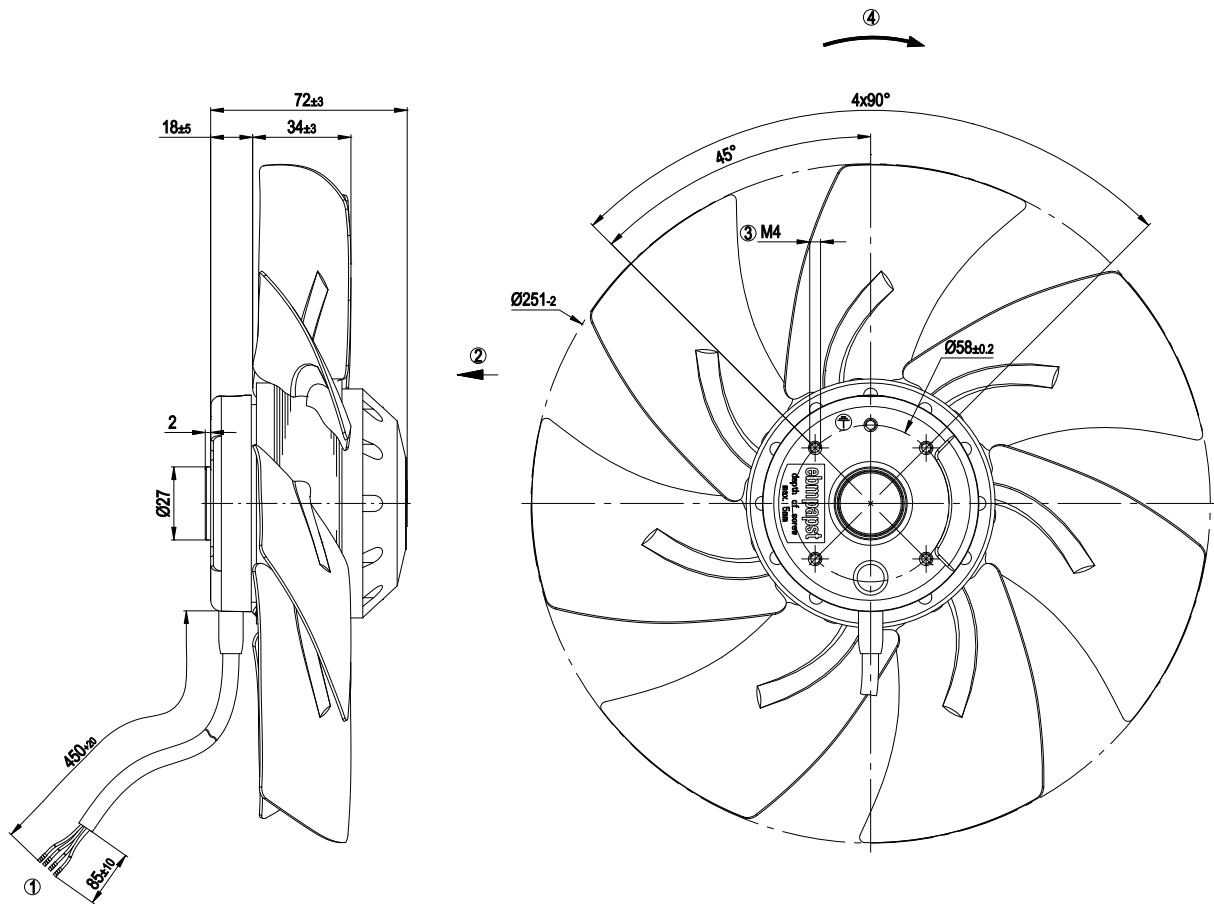
Type	A2E250-AL06-01		
Motor	M2E068-CF		
Phase		1~	1~
Nominal voltage	[V]	230	230
Frequency	[Hz]	50	60
Type of data definition		rfa	rfa
Valid for approval / standard		CE	CE
Speed	[min ⁻¹]	2450	2600
Power input	[W]	115	150
Current draw	[A]	0.51	0.66
Motor capacitor	[µF]	3	3
Capacitor voltage	[VDB]	400	400
Capacitor standard		P0 (CE)	P0 (CE)
Max. back pressure	[Pa]	120	85
Max. ambient temperature	[°C]	65	50
Air flow	[m ³ /h]	1820	1970
Back pressure	[Pa]	0	0
Sound pressure level	[dB(A)]	69	71

ml = max. load · me = max. efficiency · rfa = running at free air · cs = customer specs · cu = customer unit
 Subject to alterations

Technical features

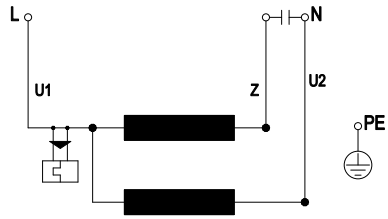
Leakage current	< 0,75 mA
Size	250 mm
Operation mode	S1
Mounting position	Shaft horizontal or rotor on bottom; rotor on top on request
Direction of rotation	Counter-clockwise, seen on rotor
Insulation class	"B"
Cable exit	Variable
Condensate discharge holes	Rotor-side
Bearing-motor	Ball bearing
Mass	2 kg
Material of blades	Sheet steel, coated in black
Motor protection	Thermal overload protector (TOP) wired internally
Product conforming to standard	CE; EN 60335-1
Surface of rotor	Coated in black
Number of blades	7
Type of protection	IP 44
Protection class	I
Approval	CCC; GOST

Product drawing



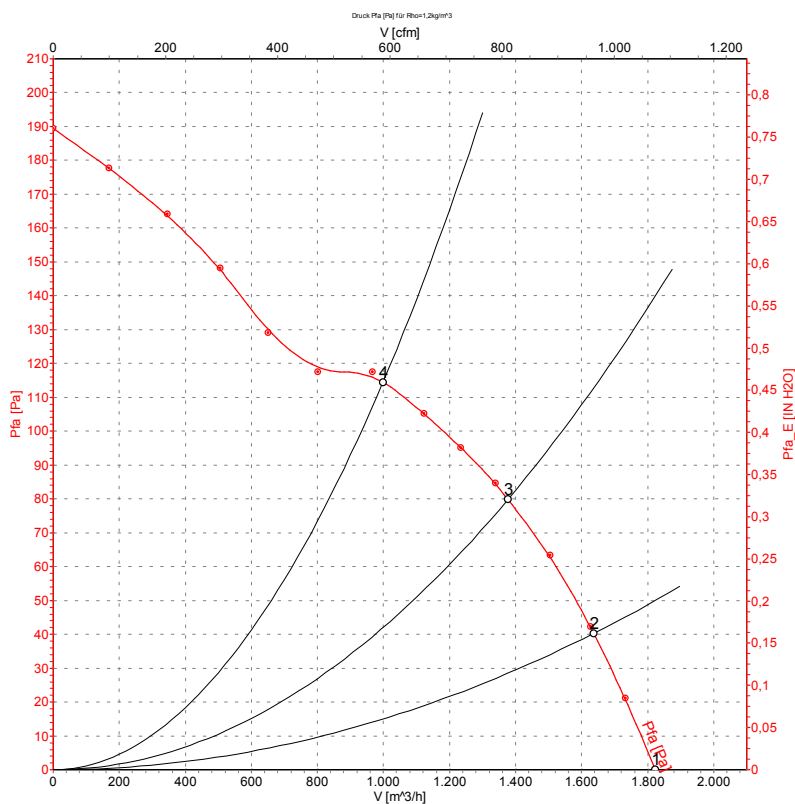
1	Connection line PVC, 4x crimped core-end sleeves
2	Direction of air flow "V"
3	Depth of screw max. 5 mm
4	Direction of rotation counterclockwise, seen on rotor

Connection screen



U1	blue	Z	brown	U2	black
PE	green/yellow				

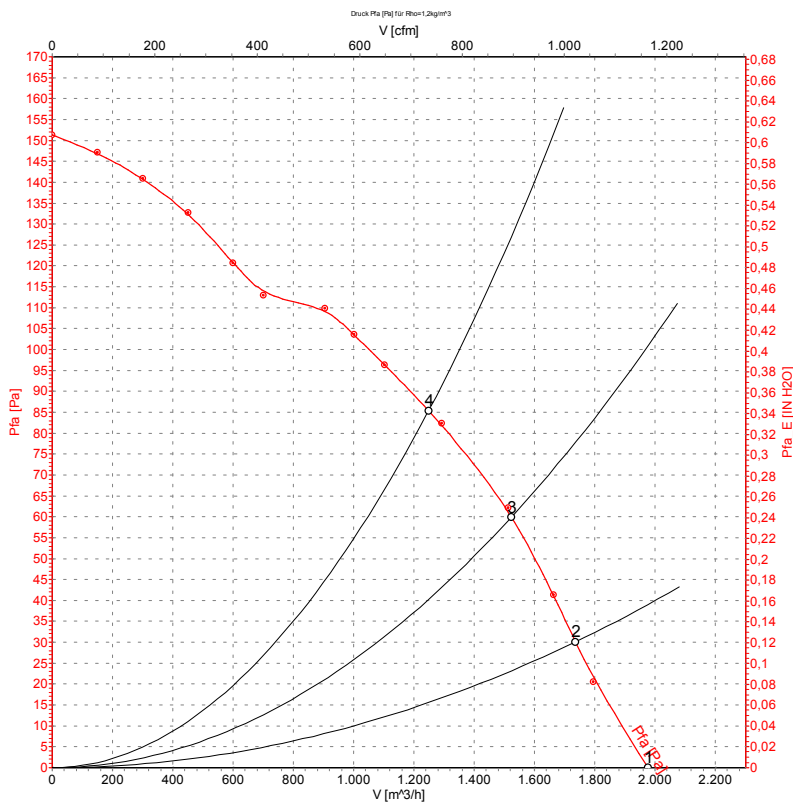
Charts: Air flow 50 Hz



Measured values

	U	f	n	P ₁	I	\hat{V}	P _{fa}
	[V]	[Hz]	[min ⁻¹]	[W]	[A]	[m³/h]	[Pa]
1	230	50	2450	115	0.51	1820	0
2	230	50	2420	120	0.52	1635	40
3	230	50	2335	128	0.56	1375	80
4	230	50	2270	134	0.58	1000	115

Charts: Air flow 60 Hz



Measured values

	U	f	n	P ₁	I	\hat{V}	P _{fa}
	[V]	[Hz]	[min ⁻¹]	[W]	[A]	[m³/h]	[Pa]
1	230	60	2600	150	0.66	1970	0
2	230	60	2525	156	0.68	1735	30
3	230	60	2415	160	0.70	1525	60
4	230	60	2300	164	0.71	1250	85