

Cirrus 40

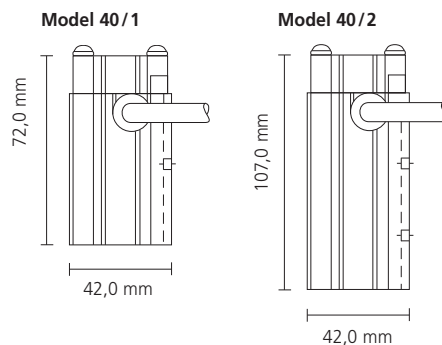


Cirrus 40		40 / 1				40 / 2			
Nominal Power	at 10°C	50W	60W	80W	100W	125W	150W	200W	230W
Typical Max. In-Rush Current (A) RMS	at 12V AC	5	6.5	-	-	-	-	-	-
Typical Max. In-Rush Current (A) RMS	at 24V AC	5.5	7.5	-	-	-	-	-	-
Typical Max. In-Rush Current (A) RMS	at 115/230V AC	2/6	1.5 / 5	2 / 6.5	1.5 / 4.5	- / 10	- / 10	- / 9	- / 9
Electrical Protection Class		I	I	I	I	I	I	I	I
Ingress Protection		IP20	IP20	IP20	IP20	IP20	IP20	IP20	IP20
Fan Volumetric Flow	(m ³ /hr)	13.6	13.6	13.6	13.6	12.4	12.4	12.4	17
Fan Life Time - L10	at 40°C (hrs)	120.000	120.000	120.000	120.000	120.000	120.000	120.000	50.000
Fan Operating Temperature Range	(°C)	-10 to +70	-10 to +70	-10 to +70	-10 to +70	-10 to +70	-10 to +70	-10 to +70	-20 to +60
Nominal Input Voltage Fan	(V)	12 DC, 12 AC, 24 AC/DC							
Nominal Input Voltage Heater	(V)	12 AC/DC, 24 AC/DC or 115 / 230				115 / 230			
Dimensions	Cross Section (mm)	42 x 42	42 x 42	42 x 42	42 x 42	42 x 42	42 x 42	42 x 42	42 x 42
Length	(mm)	72 / 77	72 / 77	77	77	112	112	112	122
Weight	(g)	175	175	175	175	260	260	260	275
Finger Guards at Outlet	(High Voltage Supply)	Yes	Yes	Yes	Yes	Yes	Yes	Yes	Yes
Finger Guards at Outlet	(Low Voltage Supply)	Optional	Optional	N / A	N / A	N / A	N / A	N / A	N / A

Type	Size	Power	Fan input	AC/DC	Heater Voltage	Finger guard		DIN clip	Filter
						outlet 1/0	inlet 1/0		
C 40	2	125W	24V	AC	240V	1	0	1	1



Order Code Example: C40 / 2 – 125W – 24V – AC – 240V – 1 – 0 – 1 – 1



Features:

- High power to size ratio
- Lightweight
- Easy to fit
- pre-wired
- Independent fan circuit to aid climate cooling

Options:

- Finger guard on either end
- Filter Assembly*
- Smartcon® - Cable to allow AC fan supply and/or 24V fan supply
- Fixings - 35mm DIN Rail clip (EN50022)

DBK David+Baader GmbH

Industrial Heating

Nordring 26
76761 Rülzheim

Phone: +49 (0) 7272 7704 - 0
Fax: +49 (0) 7272 7704 - 1249

info@dbk-group.de
www.dbk-group.de