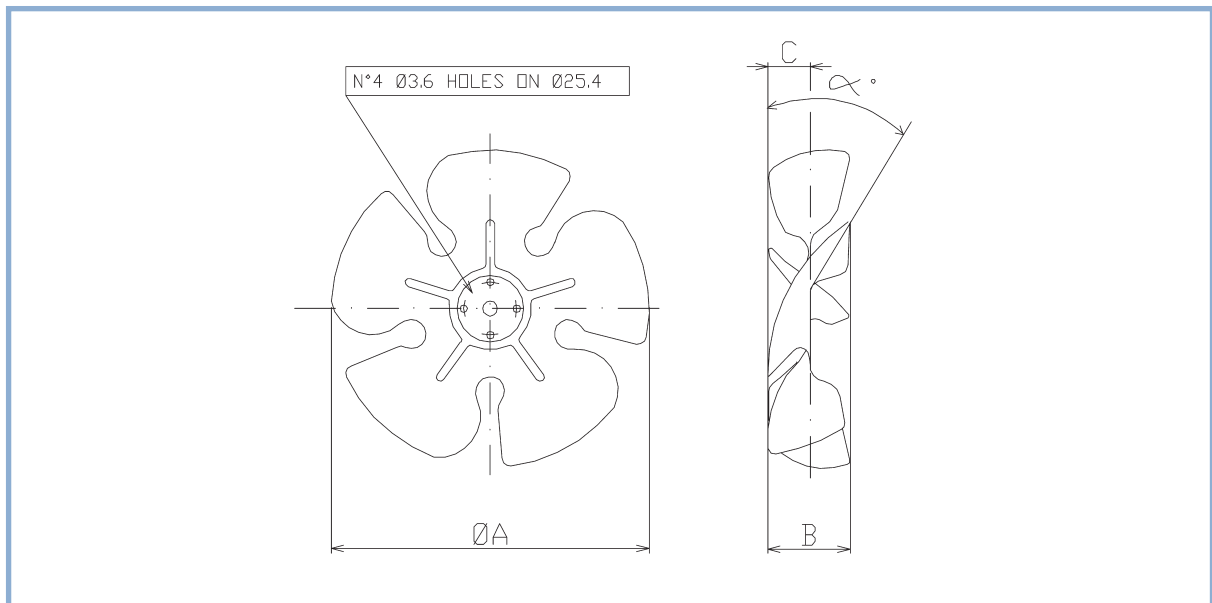


VENTOLE ALLUMINIO PREMENTI

ALUMINIUM FAN BLADES BLOWING

Tavola di identificazione
delle ventole in alluminio
versione premente.

Selection table
for aluminium fan blades
blowing version.



Ø A		154	172	200	230	254	300
19°	Part Number	4012530	4012540	4012510	4012344	4012342	
	B	24	25	26	28	29	
	C	13	15	15	16	16	
	Packing	50	50	50	40	40	
22°	Part Number	4012531	4012541	4012511	4012321	4012322	50121002
	B	27	28	30	34	35	40
	C	15	15	15	20	20	23
	Packing	50	50	50	40	30	20
25°	Part Number	4012532	4012542	4012512	4012345	4012347	50121009
	B	31	31	33	39	40	49
	C	15	16	16	22	22	29
	Packing	50	50	50	25	25	20
28°	Part Number	4012533	4012543	4012513	4012324	4012325	50121003
	B	34	35	37	43	44	57
	C	17	17	18	24	24	34
	Packing	50	50	50	25	25	20
31°	Part Number	4012534	4012544	4012514	4012346	4012323	
	B	37	39	41	47	48	
	C	18	18	20	26	27	
	Packing	40	40	40	20	20	
34°	Part Number	4012535	4012545	4012515	4012329	4012328	50121005
	B	40	42	44	52	53	65
	C	21	21	23	29	30	35
	Packing	40	40	40	20	20	15