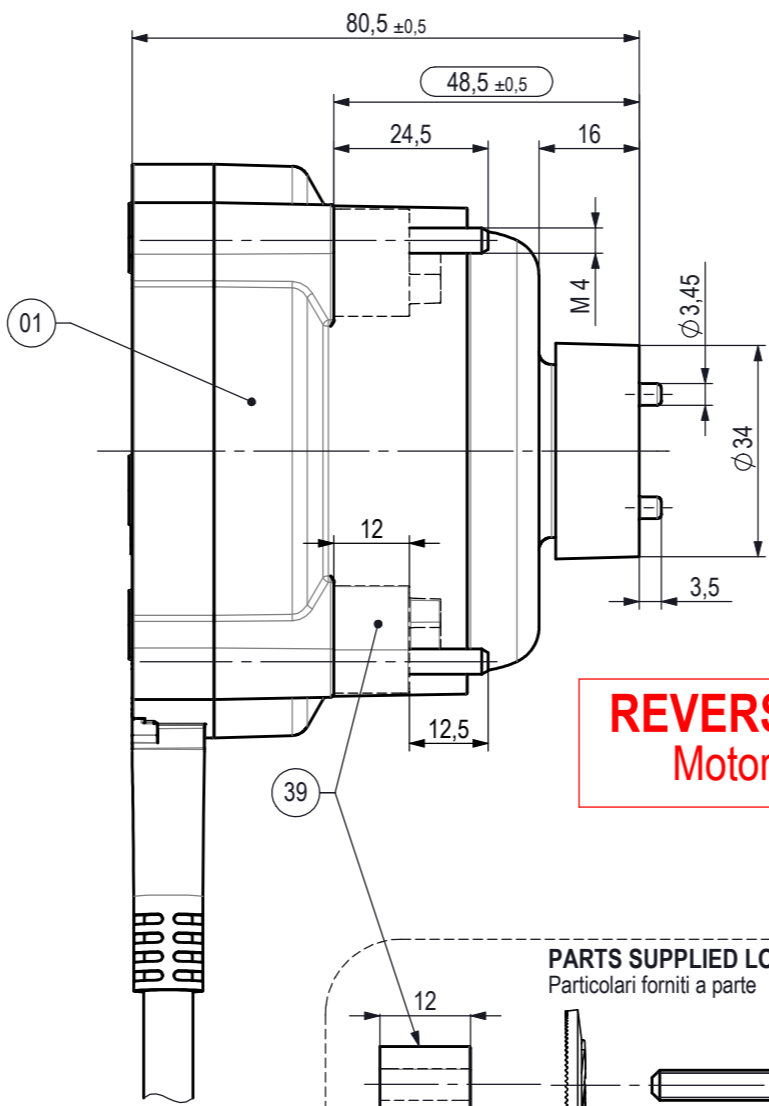
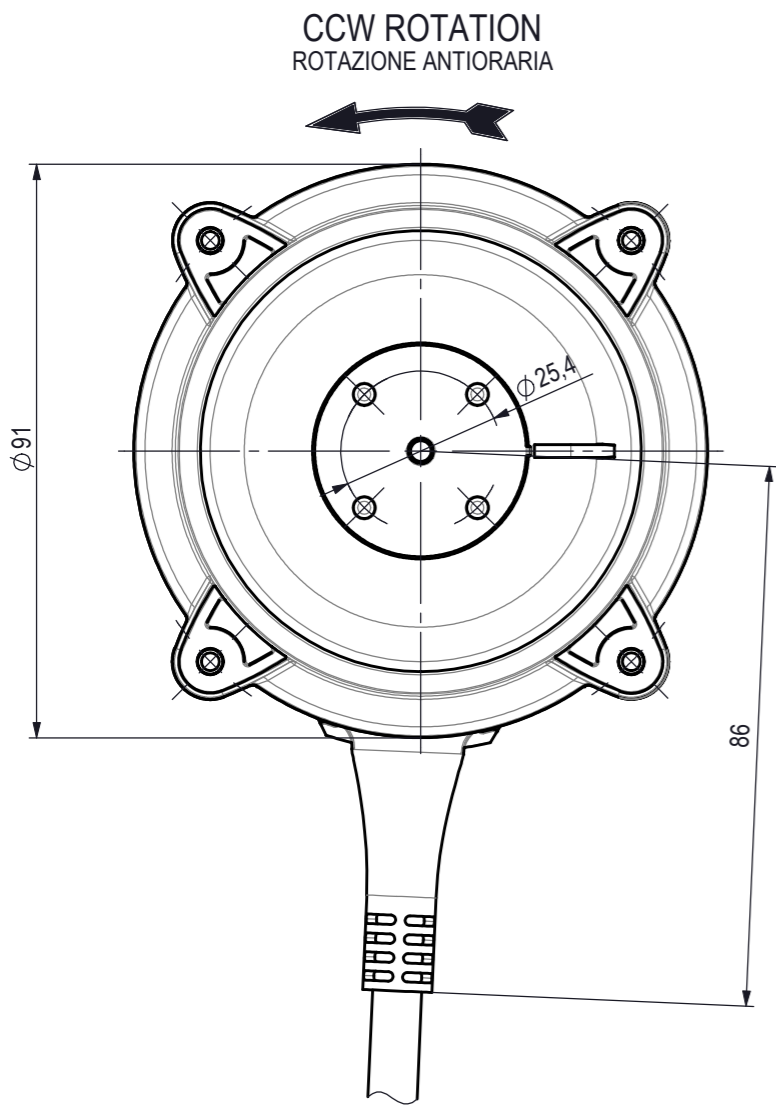
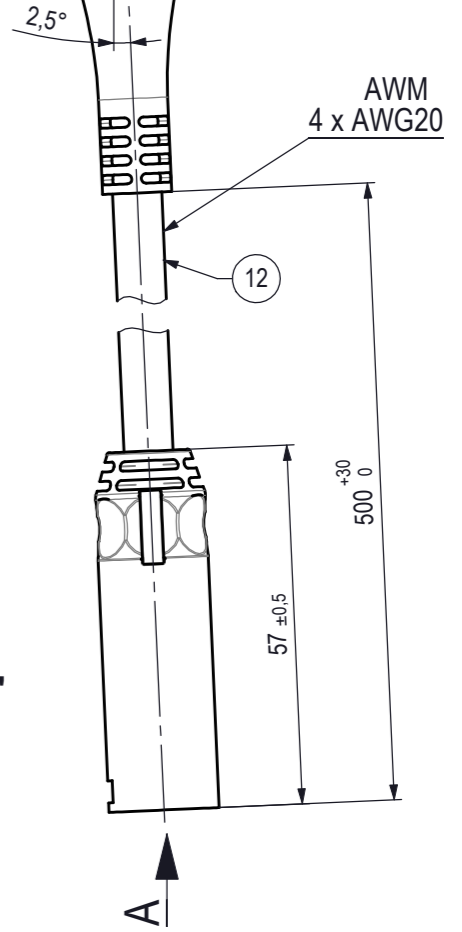
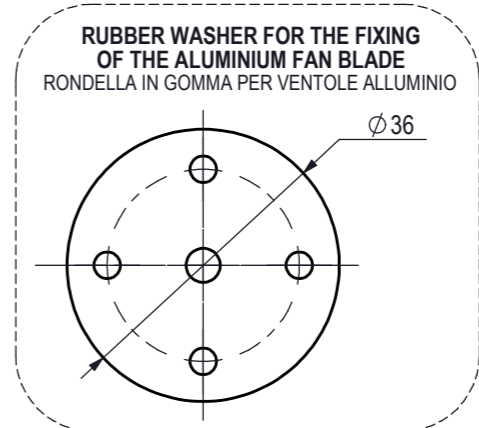
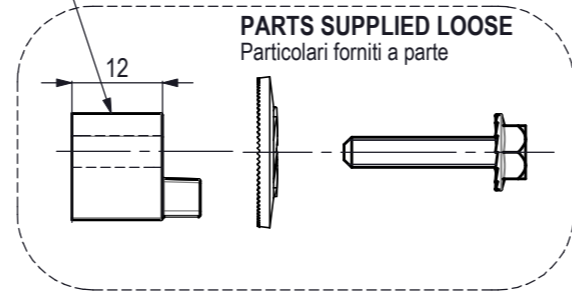
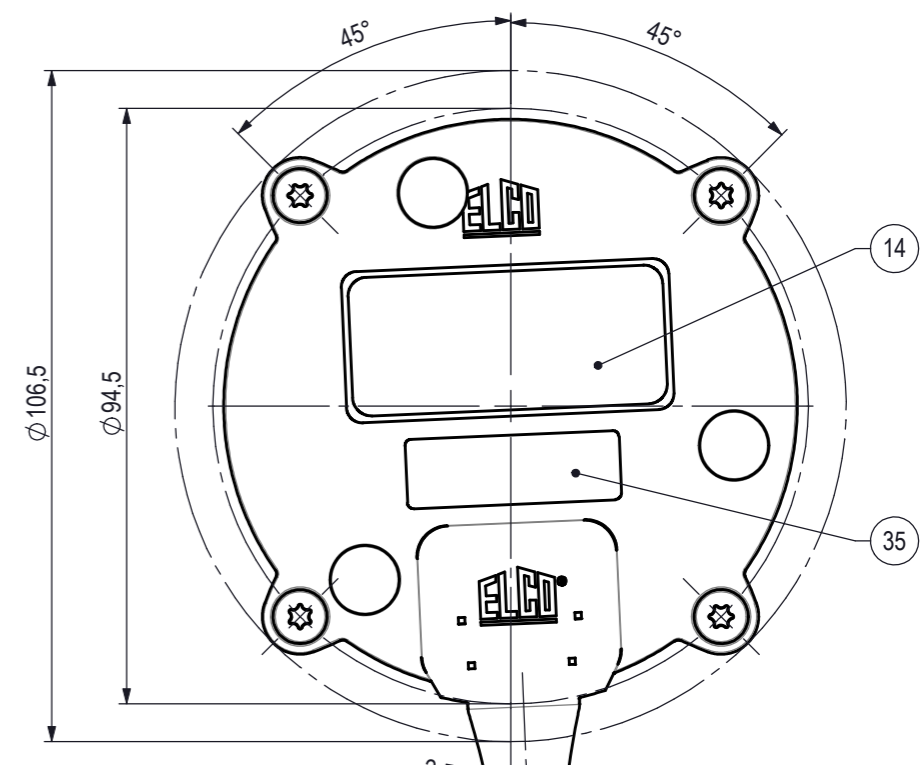


A
B
C
D

A
B
C
D



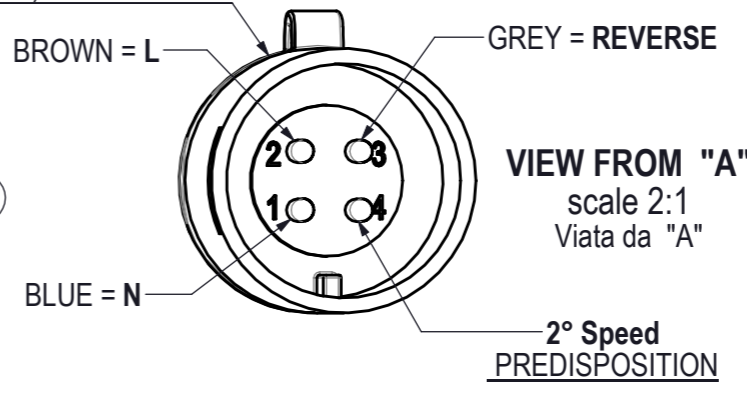
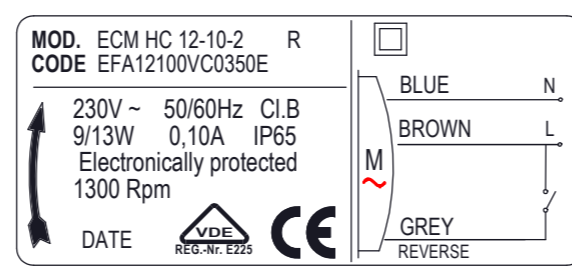
REVERSIBLE MOTOR
Motore Reversibile



PEREMPTORY

Running test after the complete assembly, **cable included**
Eseguire il collaudo ad assemblaggio completo, **cavo incluso**

4 WAYS PLUG (Spina 4 vie) Type P1123
SUPPLIER (Fornitore) Plastics



CLASS "B" MOTOR - BALL BEARINGS MANUFACTURED (Motore in classe "B" - Esecuzione a Cuscinetti)	
ELECTRONIC BOARD (Scheda elettronica)	H - R - 1300Rpm
PLASTIC BODY (Corpo in plastica)	-
PLASTIC BACK COVER (Fondello in plastica)	-
PLASTIC FAN BLADE HUB (Portaventola in plastica)	-
ASSEMBLING SPECIFICATION (Normativa di Assemblaggio)	EL.UN.0098
OPERATING INSTRUCTIONS	OI-ECM/03
ELECTRICAL SPECIFICATION (Prescrizione controllo elettrico)	M.2298/1

Rel.	Date	Description	Executor signature	Checked
A	21-10-2015	REMOVED A RUBBER WASHER: IT WAS SUPPLIED SEPARATELY (Tolto una rondella in gomma: era fornita a parte)	RMT 15/0025	D.Riboldi
B	06-06-2015	Updated Parts Supplied Loose: metal washer , and added on the drawing Plastic Spacers H.12 - Updated data label. (Aggiornato Particolari Forniti a Parte: rondella in metallo bombata '7 denti', e aggiunto nel disegno i distanziali H.12 - Aggiornato targhetta)	GMT 15/0062 A.T.	M.Cazzaniga
A	01-10-2013	Updated data on data label (9/13W was 13Win) - Aggiornati dati in targhetta (9/13W era 13Win)		M.Cazzaniga

For dimension without tolerance see standard UNI EN 22768-mK

Treatment: A3

Material:

Weight gr.:

Release: C

Ref. No EFA12100NC0350E

ELCO Drawn D.Riboldi Date 05-06-2013 Check T. Sirtori Scale ---

MOTOR ECM 12 230V HC V
230V 50/60Hz - 1300Rpm
VDE Rules

EFA12100VC0350E