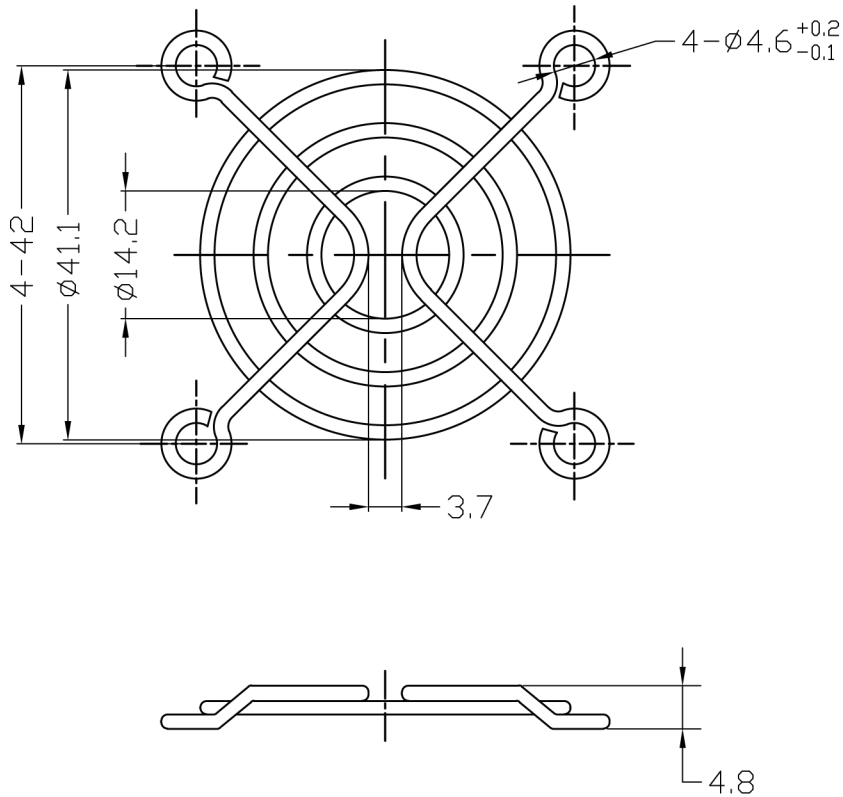


EDITION	DATE	REVISION RECORD	REVISION NO.	APPROVED



NOTES:

1. MATERIAL: C1008 BRIGHT BASIC WIRE.
2. FINISH: BRIGHT NICKEL CHROME.
3. (1) RINGS ARE $\phi 1.6\text{mm}$.
(2) RIBS ARE $\phi 1.6\text{mm}$.
4. WELD JOINTS TO WITHSTAND 88 LBS PULL FORCE.
5. SPACING BETWEEN RINGS TO BE EQUIDISTANT 4.33mm.
6. GENERAL TOLERANCE UNLESS NOTED: $\pm 0.5\text{mm}$.
7. PART MEETS $\phi 6.35\text{mm}$ PLUG GAUGE TEST.
8. UNIT: mm.

DO NOT SCALE DRAWING				CUSTOMER PART NO.	
DRAWN BY	CHECKED	APPROVED	SCALE	TME	FG-05
			DRAWING DATE	MATERIAL	SEE NOTES
			2001.06.30	FINISH	SEE NOTES