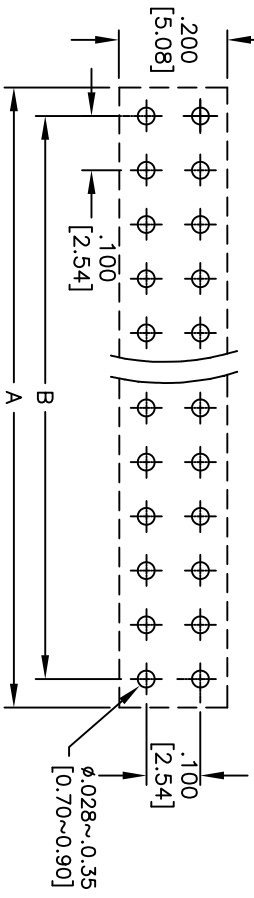
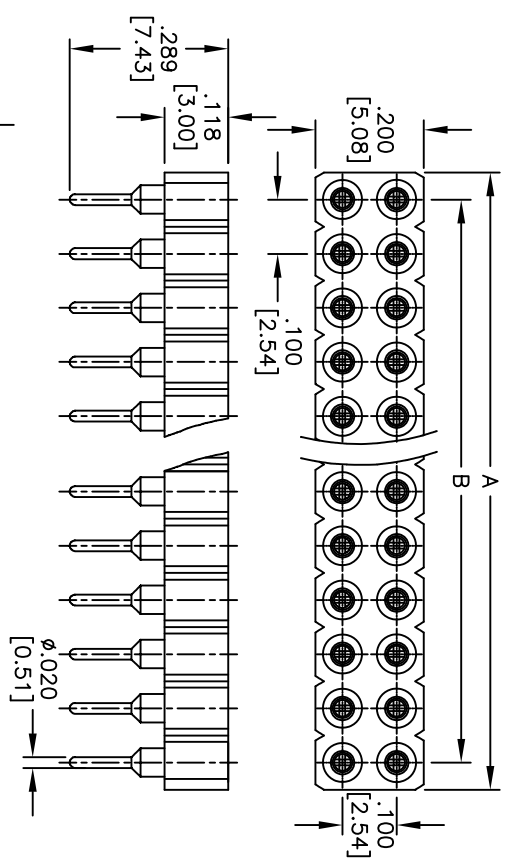


APPROVED: _____
 DATE: _____ TITLE: _____

Rev	AWO #	Description	Date	Appr
-		RELEASED	10/23/07	
A		REDRAWN	10/3/11	



RECOMMENDED PCB LAYOUT

Positions: 2 thru 80
 A = .100 [2.54] x No. of Positions per Row
 B = .100 [2.54] x No. of Spaces per Row

ADAM TECH
 909 Rahway Avenue, Union, NJ 07083
 Phone: 908-687-5000 Fax: 908-687-5710

SCREW MACHINE CONTACT SOCKET
 .100" X .100" SPACING, GOLD / TIN PLATED



SPECIFICATIONS:
 Material: Insulator: PBT, Glass reinforced, rated UL 94V-0
 Insulator color: Black
 Contacts: Copper alloy
 Sleeve: Brass
 Plating:
 Inner contact: Gold flash over Nickel underplate
 Outer sleeve: Tin over Copper underplate overall
 Electrical:
 Rated voltage : 100V RMS/ 150VDC
 Current rating: 3 Amp
 Contact resistance: 4 mohms max
 Insulation resistance: 10,000 Mohms min @ 500 VAC
 Mechanical :
 Average insertion force : < 250g
 With steel pin of $\phi .017$ [0.43]mm
 Average withdrawal force : > 50g
 With steel pin of $\phi .017$ [0.43]mm
 Mechanical life : min. 200
 Temperature Rating:
 Operating temperature : Gold plated : -55 °C to + 125 °C
 (Continuous) Tin plated : -40 °C to + 105 °C
 Environmental:
 Lead free, RoHS compliant

UNLESS OTHERWISE SPECIFIED ALL DIMENSIONS ARE IN INCHES [MM]	
TOLERANCES: EXCEPT AS NOTED	
INCHES	HOLDS
.X ± .10	ØX ± .10
.XX ± .020	ØXXX ± .015
.XXX ± .015	ØXXX ± .010
APPROVALS	DATE
DRAWN	SS
CHECKED	
APPROVED	

SIZE	PART NO.	REV.
X	SMC-2-XX-1-GT	A
REF:	SM0007T	
SCALE:	NTS	
SHEET	1 OF 1	