

Data sheet Product SLP 2 16 117



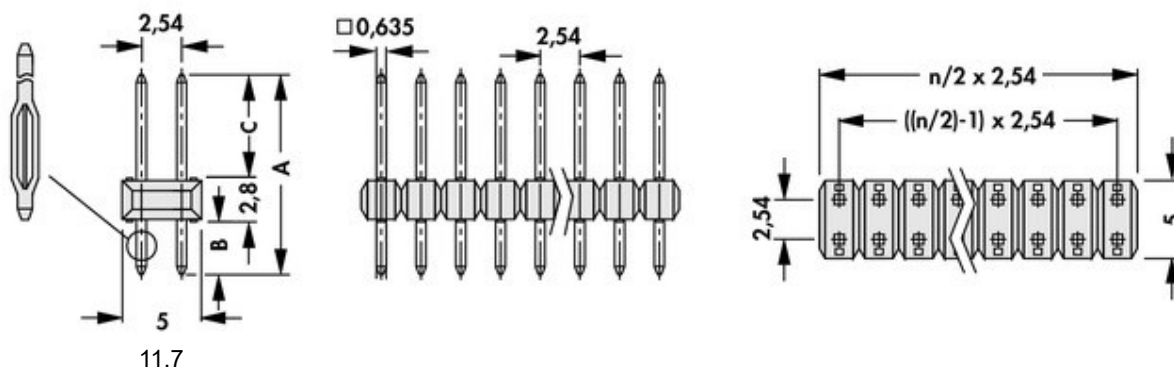
PCB connectors > Male headers

Two rows, 2-72 contacts, for PCB depth ≥ 1.6 dimension B = 3.5 mm and ≥ 3.0 dimension B = 4.5 mm

Features

| | |
|---|---|
| grid | 2.54 mm |
| no. of contacts | 2 - 72 |
| contact material | CuSn alloy |
| surface of contact | <ul style="list-style-type: none"> • gold-plated • tin-plated |
| surface contact / contact sleeve | <ul style="list-style-type: none"> • Ni+$\geq 0.2\mu\text{m}$ Au • Ni+4...6μm Sn |
| version | male header |
| volume resistance | ≤ 10 m Ω |
| nominal current | 3 A |
| nominal voltage | 250 V AC |
| test voltage | 1000 V |
| insulating body material | PA 4.6. GF |
| temperature range | <ul style="list-style-type: none"> • -40°C... +163°C • (260°C/10 s) |
| class of inflammability | UL 94 V-0 |
| specific insulation resistance | $> 10 \cdot 10^7 \Omega \cdot \text{m}$ |
| connection type | insertion |
| reflow solderable | yes |

Technical Drawing



height

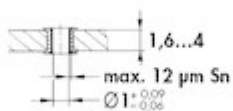
A [mm]

B [mm] 3.5

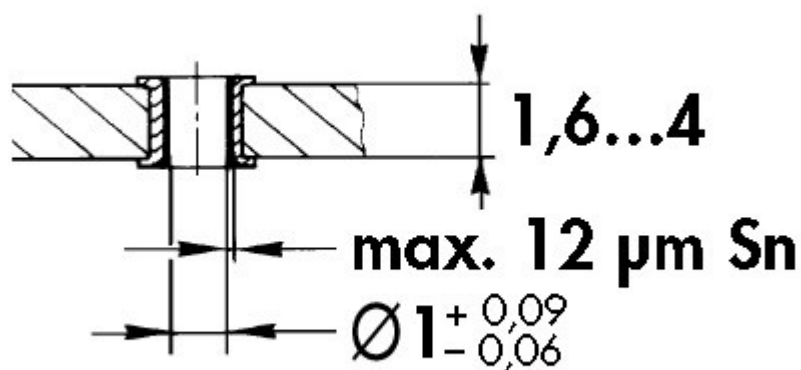
C [mm] 5.4

Further Information

Hole diameter in PCB - hole structure acc. to DIN EN 60352-5



PCB layout - PCB hole structure acc. to DIN EN 60352-5



Fischer Elektronik GmbH & Co. KG
DEUTSCHLAND • GERMANY • ALLEMAGNE

Nottebohmstraße 28
58511 Lüdenscheid

Telefon +49 2351 435-0
Telefax +49 2351 45754

info@fischerelektronik.de
www.fischerelektronik.de