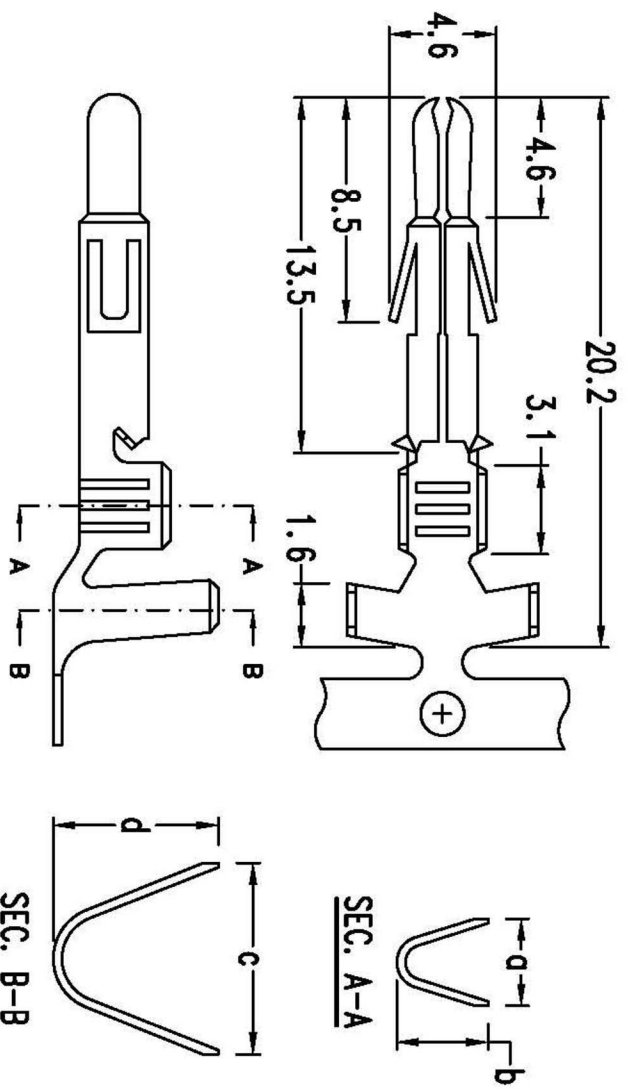


- Features Specifications:**
 (6 ~ 15 circuits)
- Current rating: 11A
 - Voltage rating: 600V
 - Ambient temperature range: -55°C ~ 105°C



Ordering & Dimensional Information (mm)

Dimension			Wire range	Material	Thickness	Finish
a	b	c				
2.9	3.5	4.5±0.4	#16 ~ #20	Brass	0.3mm	Tin-plated

ROHS Compliant									
APPD. 核准 Hedy	UNLESS OTHERWISE SPECIFIED TOLERANCE 0.05 * 0.15 (mm) 0 * 0.05 (mm)	SCALE 比例 参考	UNIT 單位 M M	SIZE 紙張尺寸 A 4	REV 版本 A	PART NAME 品名 6.35mm TERMINAL MALE BRASS, TIN PLATED 16~20AWG DISTANCE OF EACH TERMINAL=11MM 5K/ROLL FOR 6P~15P ROHS	DATE 制表日 2011/04/27	PAGE 張數 1 OF 1	PART NO. 料號 NLSG-T1

玄茂科技股份有限公司

A	1	2	3	4	5	6	7	8
B	1	2	3	4	5	6	7	8
C	1	2	3	4	5	6	7	8
D	1	2	3	4	5	6	7	8
E	1	2	3	4	5	6	7	8
F	1	2	3	4	5	6	7	8
G	1	2	3	4	5	6	7	8
H	1	2	3	4	5	6	7	8