

FEATURES AND SPECIFICATIONS

Features and Benefits

- Intermateable, intermountable and interchangeable with industry-standard versions
- Cross tested to assure industry compatibility
- Positive locks
- Fully isolated contacts
- Circuit ID grooves to reduce assembly errors
- Anti-stress positioning tabs to reduce breakage

Reference Information

Product Specification: PS-42022-0001
 Packaging: Bag
 UL File No.: E29179
 CSA File No.: LR19980
 Designed In: Inches

Electrical

Voltage: 600V
 Current:

Circuit	1	2	3	4	6	9	12	15
Amperes	13.5	13.5	13.5	13.5	11.0	11.0	11.0	11.0

Dielectric Withstanding Voltage: 2900V (Header),
 5000V (Wire-To-Wire)
 Insulation Resistance: 1000 MΩ min.

Mechanical

Contact Retention to Housing: 66.88N (15 lb)

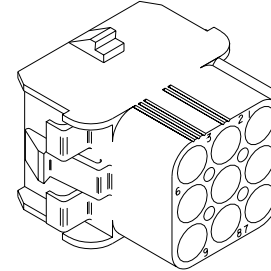
Physical

Cap Housing: Nylon, 94V-2 or 94V-0
 Operating Temperature: -55 to +105°C

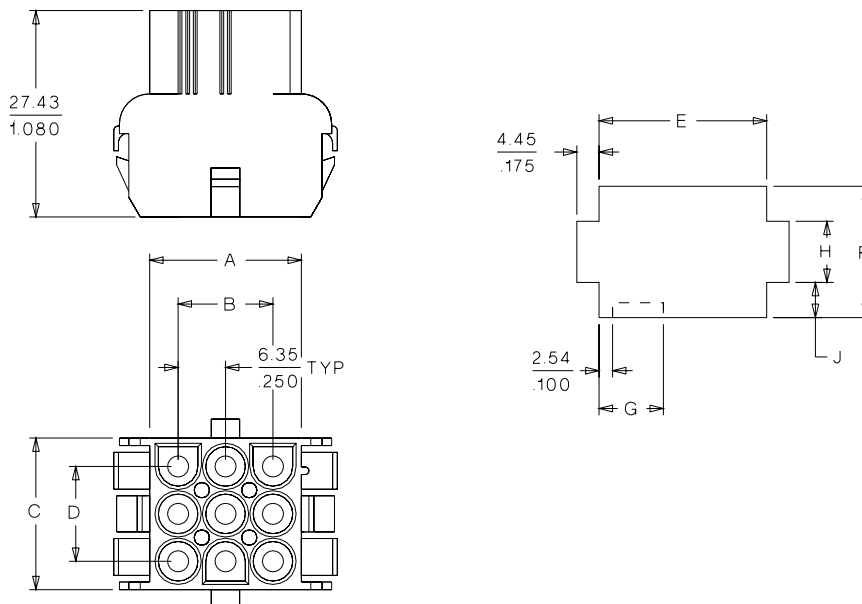


2.13mm (.084") Diameter MLX Pin and Socket Receptacle

42022



CATALOG DRAWING (FOR REFERENCE ONLY)



ORDERING INFORMATION AND DIMENSIONS

Circuits	Order No.			Dimension								
	94V-2 (White)	94V-0 (Brick Red)	94V-0 (White)	A	B	C	D	E	F	G	H	J
1	50-84-2010	50-84-2011	50-84-2012	9.65 (.380)		9.65 (.380)						
2	• 50-84-2020	• 50-84-2021	50-84-2022	7.62 (.300)		13.97 (.550)	6.35 (.250)	14.35 (.565)	13.46 (.530)	6.35 (.250)	8.64 (.340)	2.41 (.095)
3	• 50-84-2030	• 50-84-2031	50-84-2032	7.62 (.300)		20.32 (.800)	12.70 (.500)	20.70 (.815)	13.46 (.530)	6.35 (.250)	8.64 (.340)	2.41 (.095)
4	• 50-84-2040	• 50-84-2041	50-84-2042	7.62 (.300)		26.67 (1.050)	19.05 (.750)	27.05 (1.065)	13.46 (.530)	6.35 (.250)	8.64 (.340)	2.41 (.095)
6	• 50-84-2060	• 50-84-2061	50-84-2062	20.32 (.800)	12.70 (.500)	13.97 (.550)	6.35 (.250)	14.35 (.565)	26.16 (1.030)	6.35 (.250)	12.19 (.480)	6.99 (.275)
9	• 50-84-2090	• 50-84-2091	50-84-2092	20.32 (.800)	12.70 (.500)	20.32 (.800)	12.70 (.500)	20.70 (.815)	26.16 (1.030)	6.35 (.250)	12.19 (.480)	6.99 (.275)
12	50-84-2120	50-84-2121	50-84-2122	20.32 (.800)	12.70 (.500)	26.67 (1.050)	19.05 (.750)	27.05 (1.065)	26.16 (1.030)	8.89 (.350)	12.19 (.480)	6.99 (.275)
15	50-84-2150	50-84-2151	50-84-2152	20.32 (.800)	12.70 (.500)	33.02 (1.300)	25.40 (1.000)	33.40 (1.315)	26.16 (1.030)	8.89 (.350)	12.19 (.480)	6.99 (.275)

• US Standard Product, available through Molex franchised distributors

* Cap housing should be installed into panel in the same direction as the panel cutout is punched