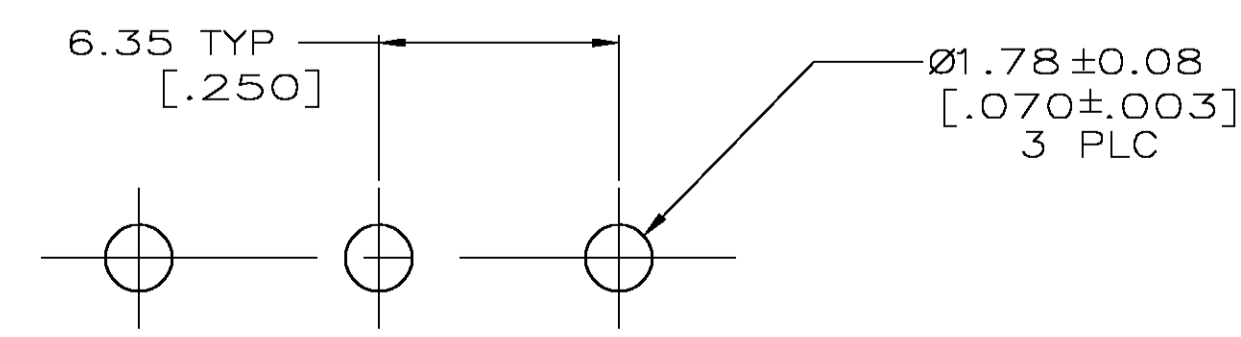
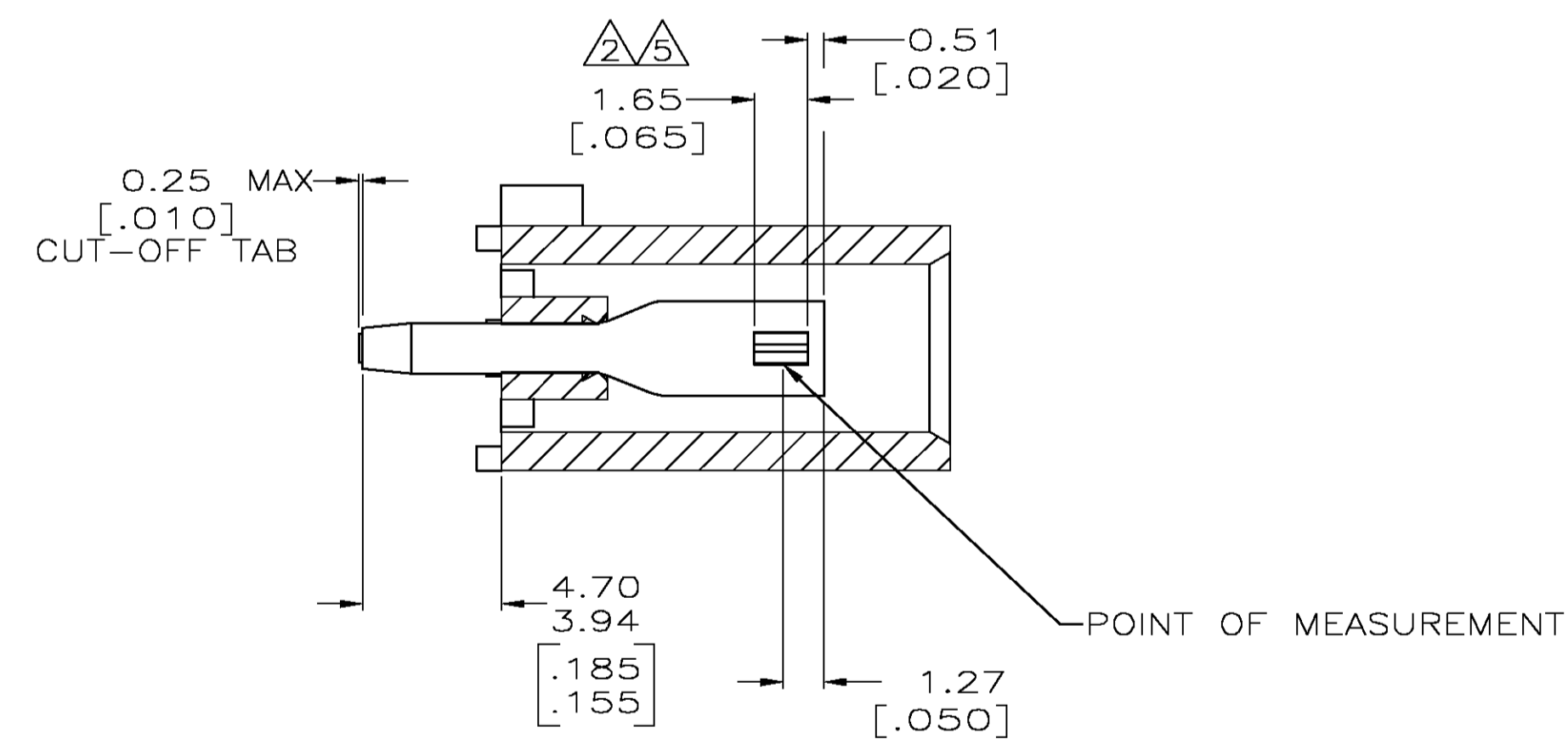
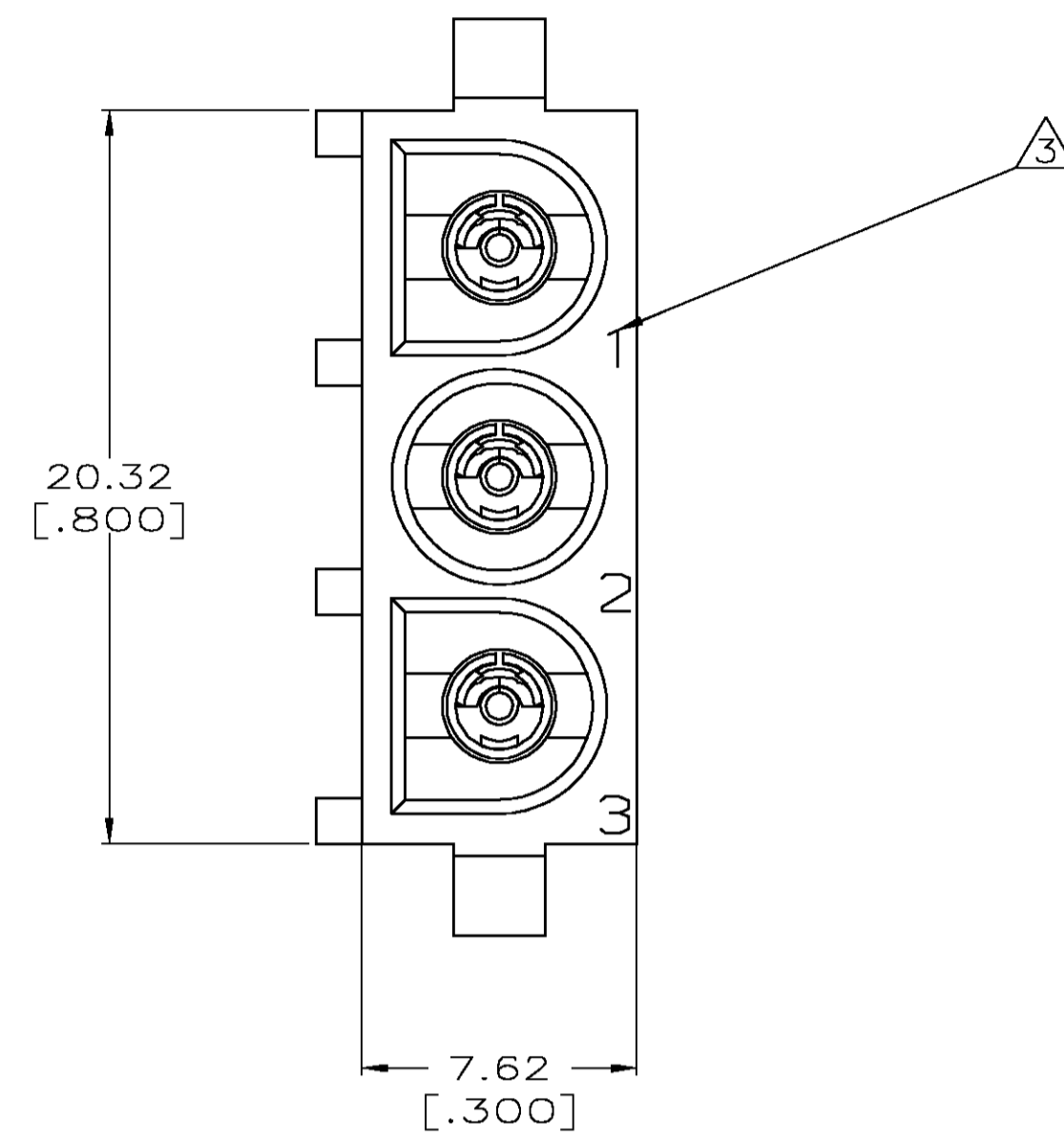
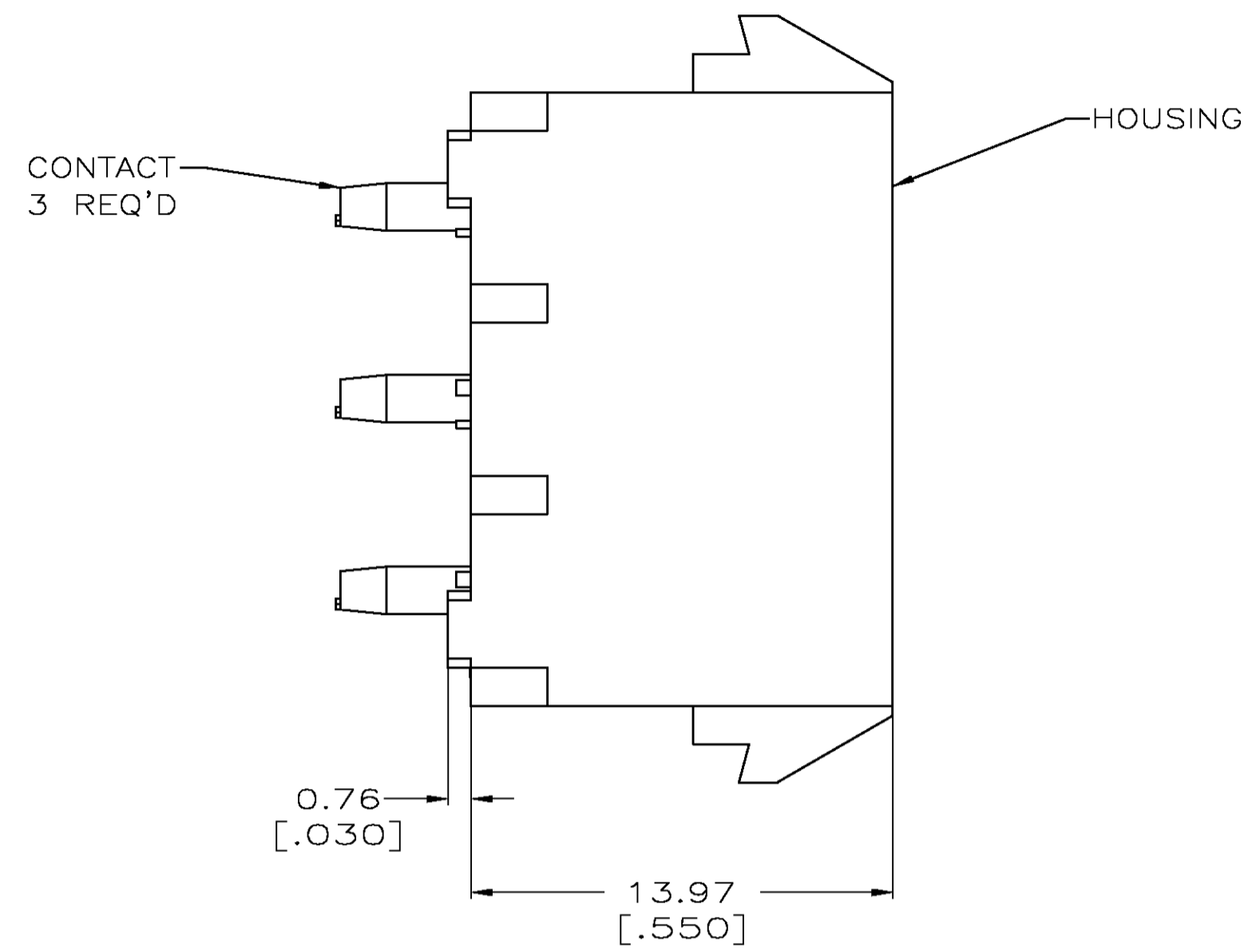
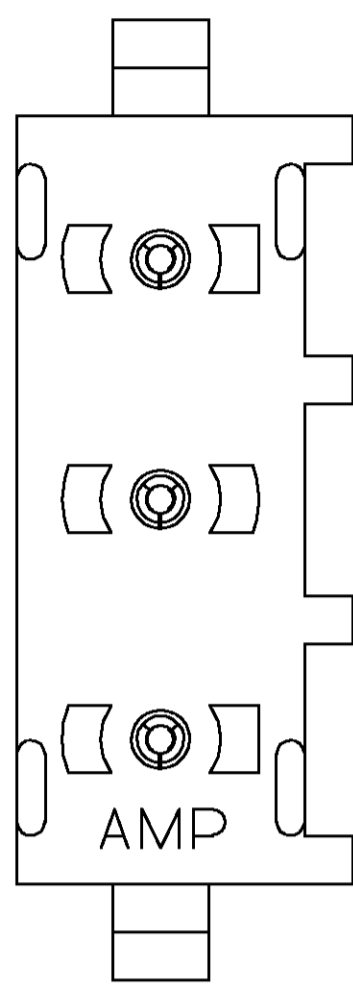
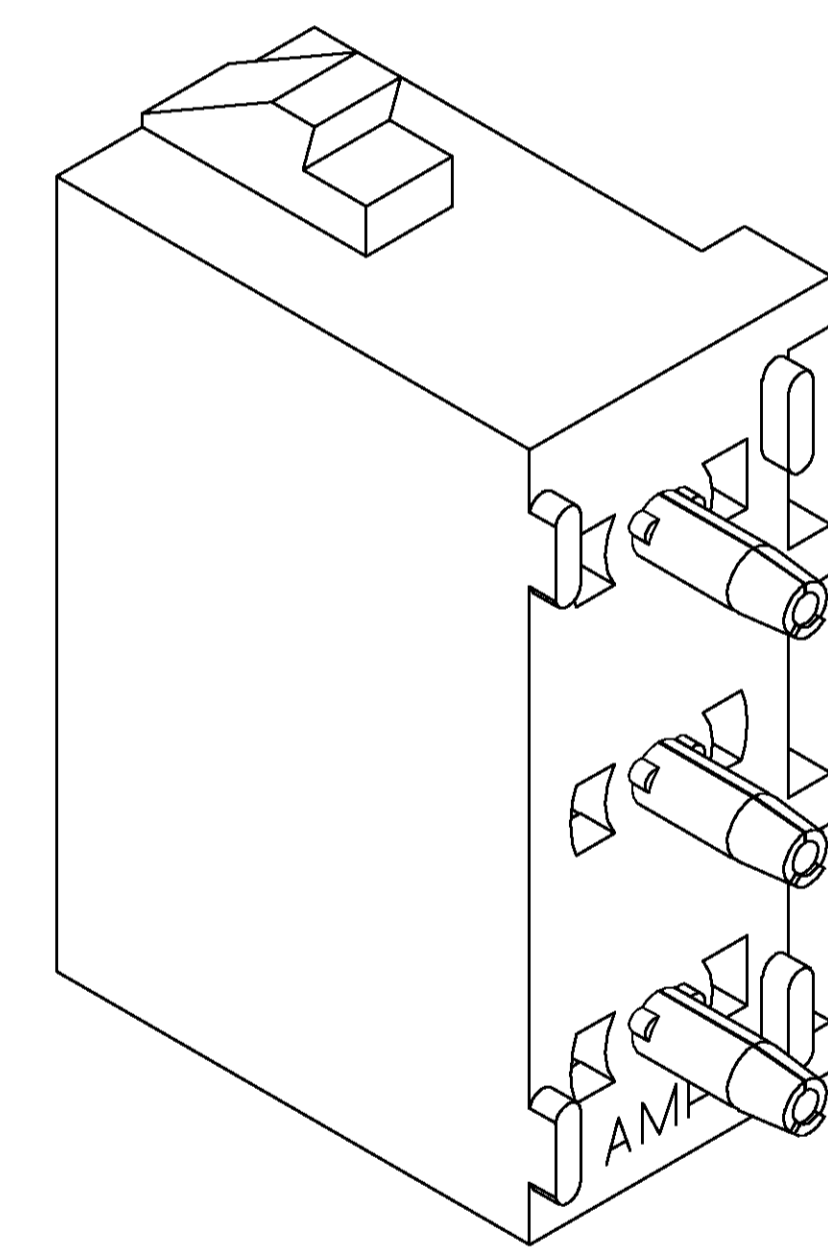


LOC		DIST		REVISIONS			
P	LR	DESCRIPTION	DATE	BY	APPD		
N		REVISED PER OG3B-1094-04	26JAN85	KW	SR		



RECOMMENDED MOUNTING HOLE PATTERN FOR 1.57 [.062] THICK P.C. BOARD

- PARTS COMPLY TO AMP SOLDERABILITY SPECIFICATION 109-11-3.
- CONTACT IS PLATED OVERALL WITH 0.00127 [.000050] NICKEL, THEN 0.00076 [.000030] GOLD OVER CONTACT LENGTH INDICATED AND MATTE TIN LEAD ON SOLDER TAIL END.
- CIRCUIT IDENTIFICATION CHARACTERS ARE ADJACENT TO THE INDICATED CAVITIES, BUT LOCATION AND ORIENTATION MAY DIFFER FROM PRINT.
- DIMENSIONS IN BRACKETS ARE IN INCHES.
- CONTACT IS PLATED OVERALL WITH 0.00127 [.000050] NICKEL, THEN 0.00076 [.000030] GOLD OVER CONTACT LENGTH INDICATED AND MATTE TIN ON SOLDER TAIL END.



3-DIMENSIONAL MODEL NTS

PHOSPHOR BRONZE, GOLD	NYLON, UL94V-0, WHITE	350825-4
PHOSPHOR BRONZE, GOLD	NYLON, UL94V-0, WHITE	350825-2
PHOSPHOR BRONZE, PRE-TIN	NYLON, UL94V-0, WHITE	350825-1
CONTACT MATERIAL AND FINISH	HOUSING MATERIAL	PART NUMBER



THIS DRAWING IS A CONTROLLED DOCUMENT.

DIMENSIONS: mm [INCHES]	TOLERANCES UNLESS OTHERWISE SPECIFIED:	0 PLC ± -	1 PLC ± -	2 PLC ± 0.13 [.005]	3 PLC ± -	4 PLC ± -	ANGLES ± ± 0.30°	FINISH
SEE TABLE	SEE TABLE							

APPROVED: M. TRULL	DATE: 8-19-98	DESIGNED: D. LEWIS	DATE: 8-19-98
CUSTOMER DRAWING		SCALE: 5:1	

TYCO Electronics Tyco Electronics Corporation Greensboro, NC 27409

NAME: SOCKET HEADER ASSEMBLY, 3 CIRCUIT UNIVERSAL MATE-N-LOK™

SIZE: A1 CAGE CODE: 00779 DRAWING NO: 350825

RESTRICTED TO: 1 OF 1 REV N