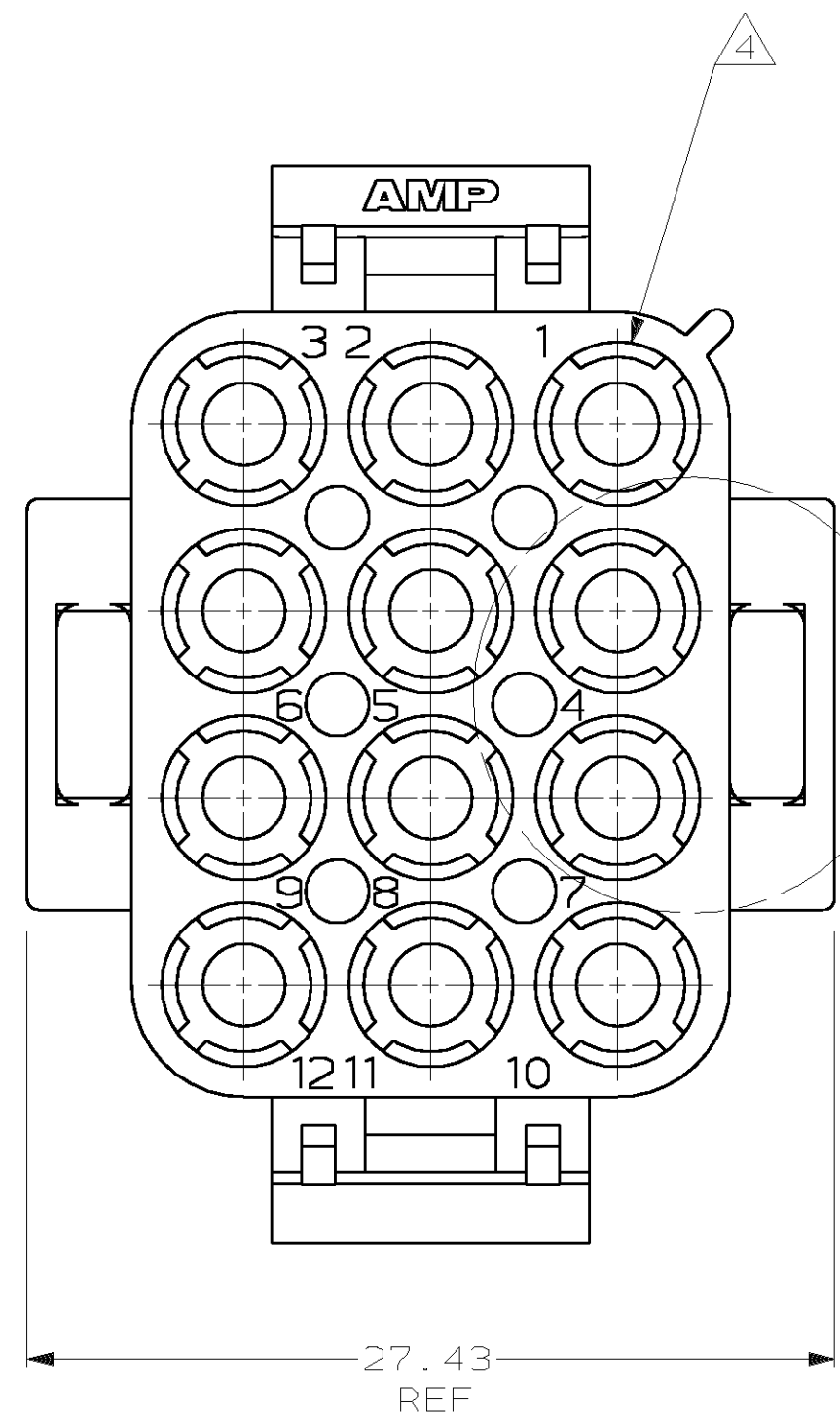
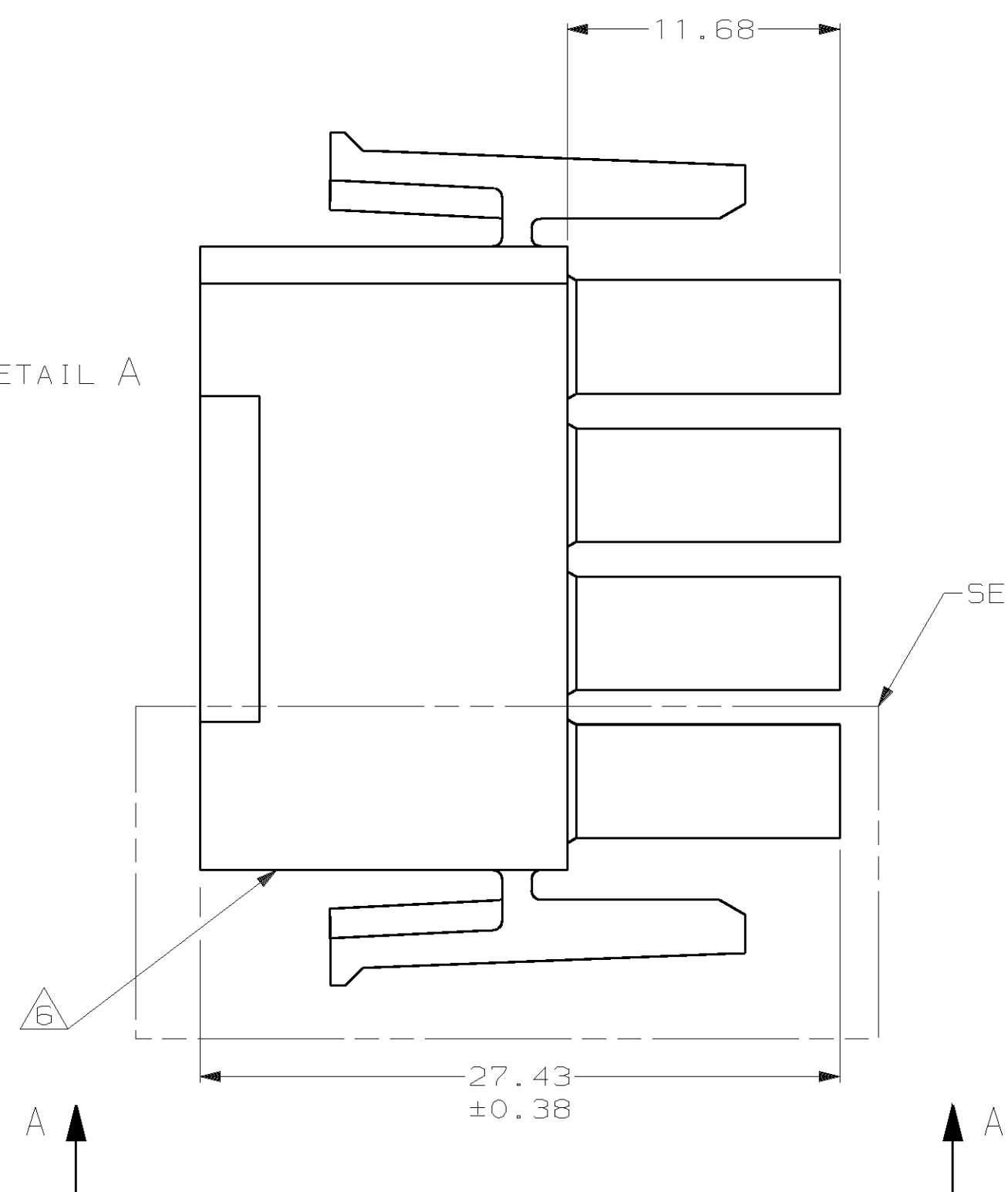


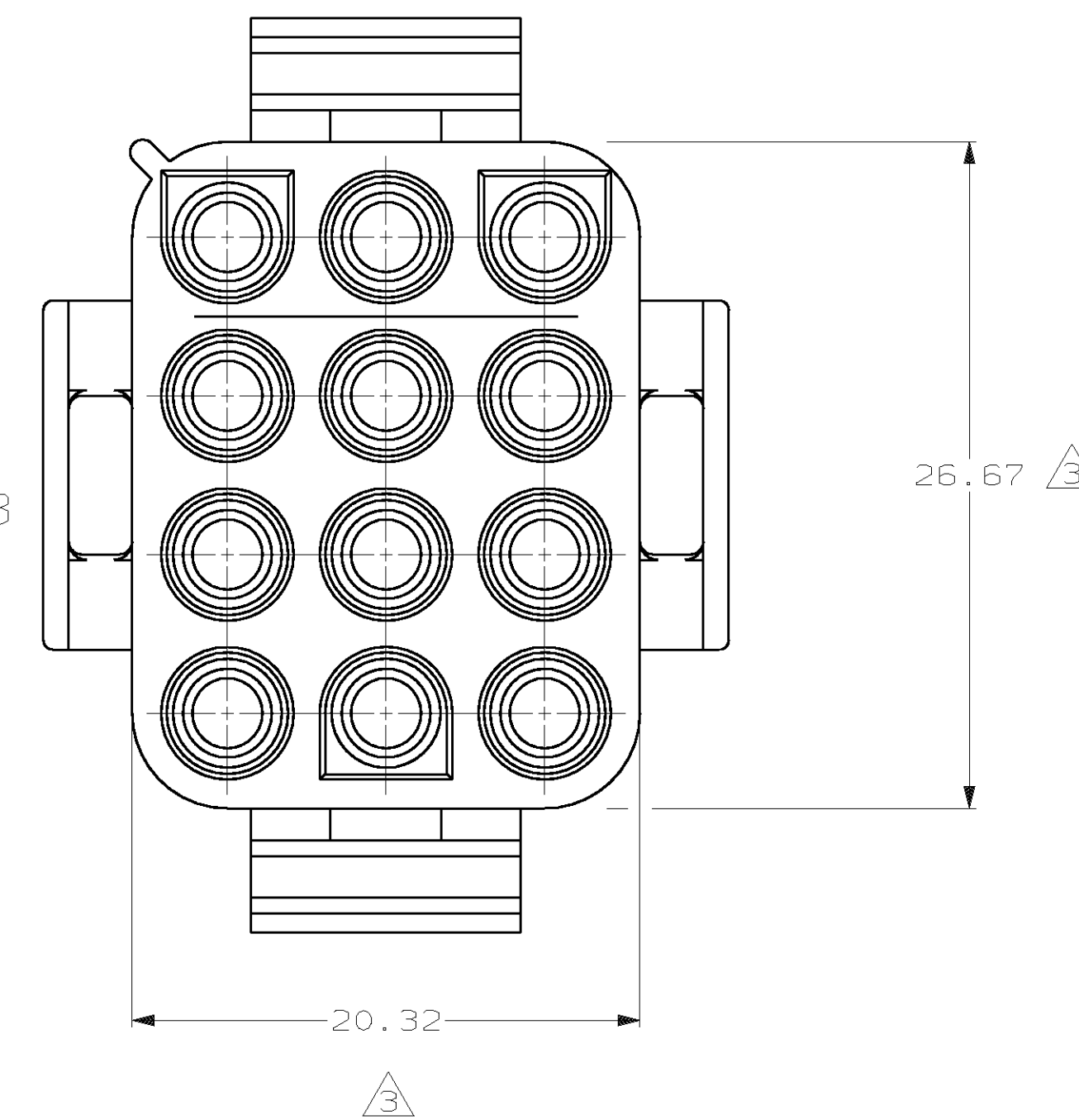
LOC		DIST		P		F		ZONE		LTR		REVISIONS		DATE	APPD	
												DESCRIPTION				
CM	53												U	REV PER EC 0G1B-0229-98	17-FEB-99	JH RS



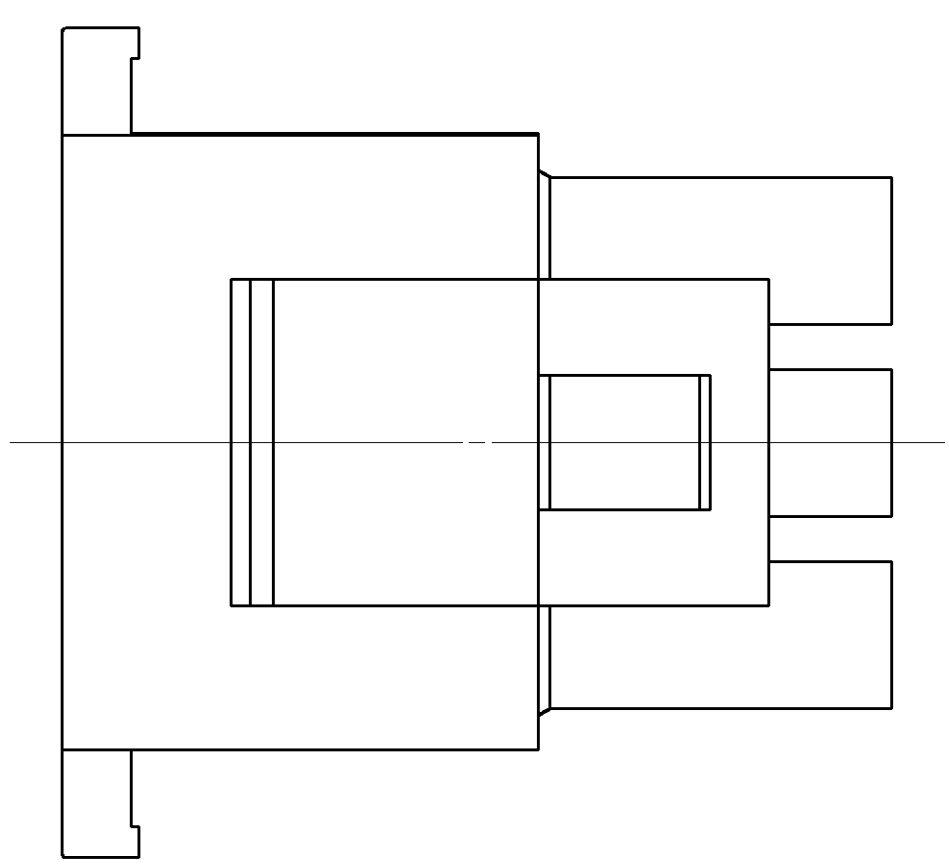
SEE DETAIL A



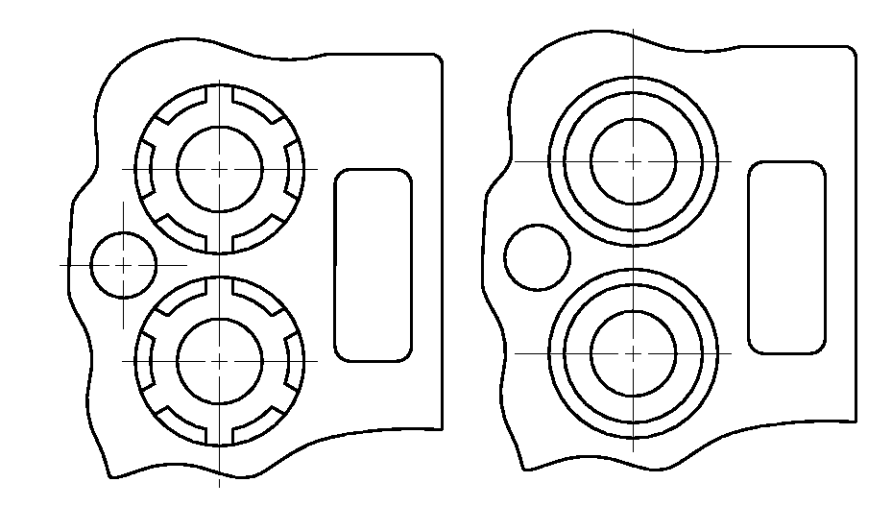
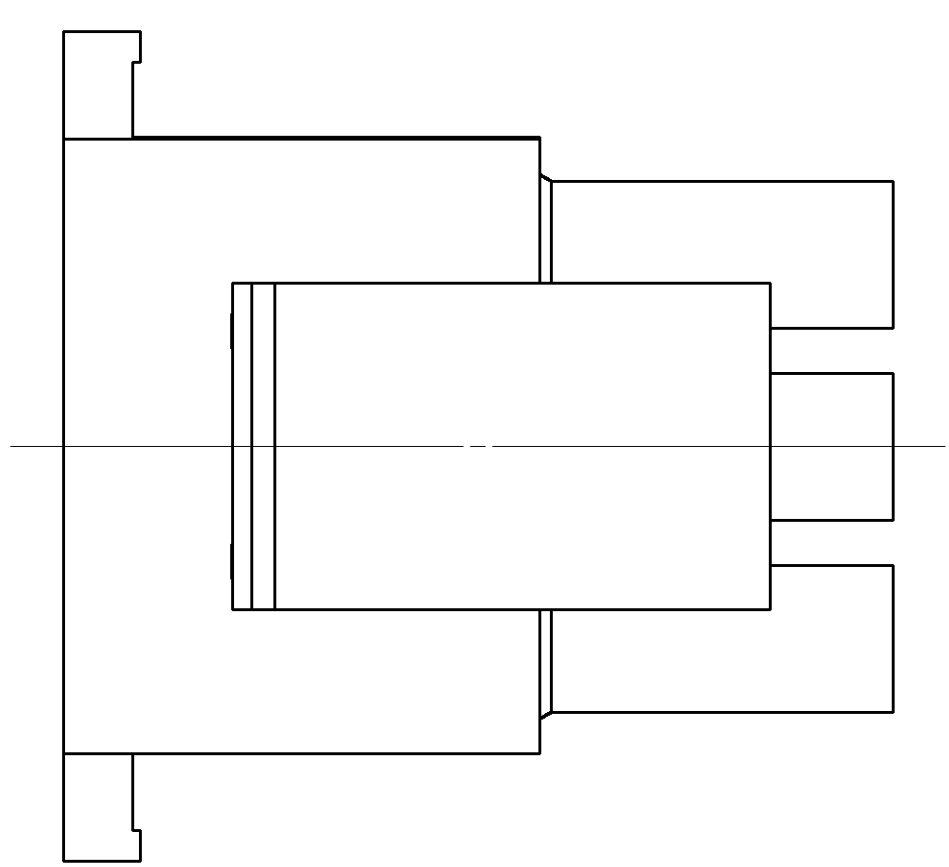
SEE DETAIL B



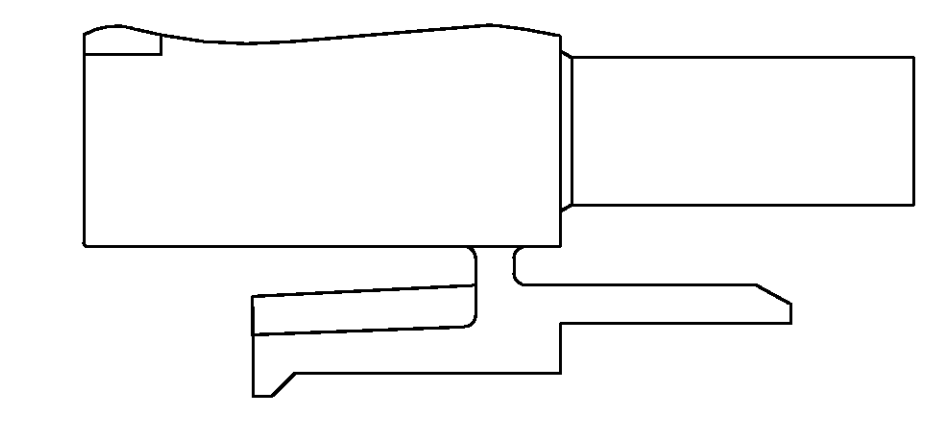
- MATES WITH APPROPRIATE UNIVERSAL MATE-N-LOK™ CAP OR HEADER.
  - SMALL NICKS ARE PERMITTED ON THE CIRCUIT TOWERS WHICH COULD INCREASE THE INITIAL HOUSING MATING FORCE BY UP TO 4.4 NEWTONS [1.0 LBS]. NO INDIVIDUAL NICKED TOWER SHALL INCREASE THIS FORCE BY OVER 2.2 NEWTONS [0.5 LBS].
- △ DIMENSION INDICATED IS AS MOLDED. ADDITIONAL GROWTH DUE TO SUBSEQUENT MOISTURE ABSORPTION MAY OCCUR.
  - △ FOUR RIBS EQUALLY SPACED, NO SPECIFIC ORIENTATION. NO RIBS OR SIX RIBS EQUALLY SPACED, NO SPECIFIC ORIENTATION, OPTIONAL.
  - △ NOT MANUFACTURED IN U.S.
  - △ UNDERWRITERS RECOGNIZED COMPONENT LOGO AND CSA CERTIFICATION LOGO TO BE LOCATED ONCE EACH ON SIDE OF HOUSING.



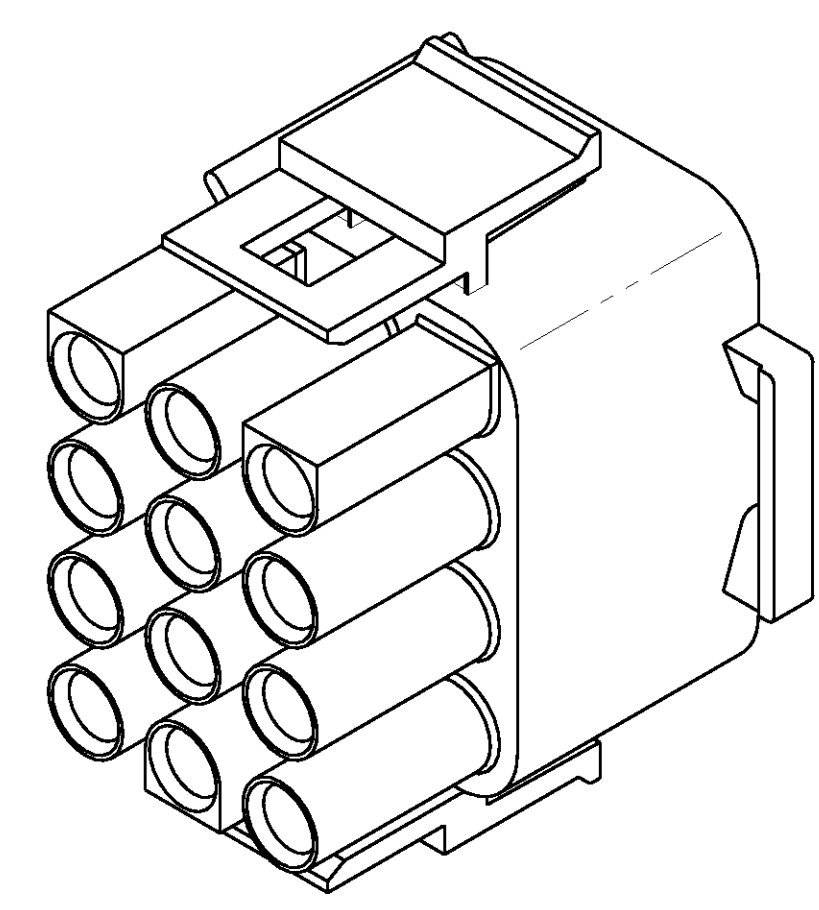
VIEW A-A  
350735-4 ONLY



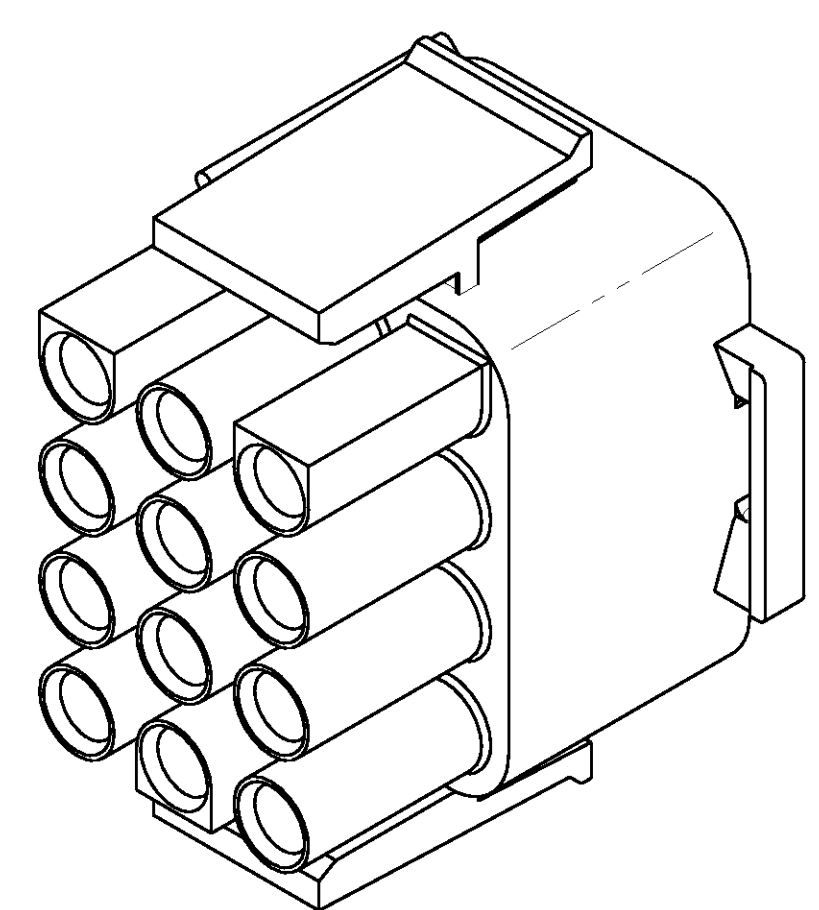
DETAIL A  
OPTIONAL CONSTRUCTIONS



DETAIL B  
350735-4 ONLY



350735-4 3-DIMENSIONAL MODEL  
NTS



3-DIMENSIONAL MODEL  
NTS

MM	IN
27.43	1.080
26.67	1.050
20.32	.800
11.68	.460
0.38	.015
0.13	.005
MM	IN

CONVERSION TABLE



DO NOT SCALE PRINT. UNLESS SPECIFIED DIMENSIONS IN mm [INCHES]		DR 2-17-92 K. WHITAKER		AMP Incorporated Harrisburg, PA 17105-3608	
TOLERANCES - ON :		CHK 2-17-92 R. SWING			
2 PLC DEC ± 0.13		APPD 2-24-92 D. SELF		NAME	
3 PLC DEC ± -		APPD 2-24-92 D. SELF		PLUG, 12 CIRCUIT, UNIVERSAL MATE-N-LOK™	
ANGLES ± 0°30'		PRODUCT SPEC		DRAWING NO	
MATERIAL		-		350735	
NYLON, UL 94V-0		APPLICATION SPEC		CAGE CODE	
-		-		00779	
FINISH		WEIGHT		SCALE	
-		-		4:1	
-		-		SHEET	
-		-		1 OF 1	