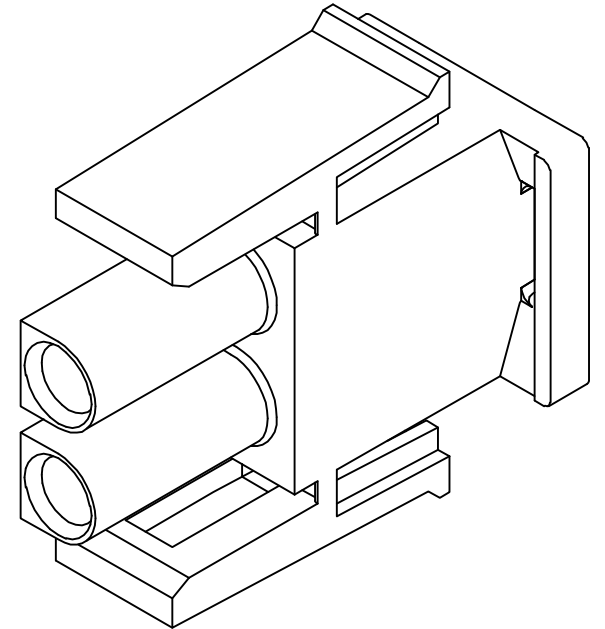
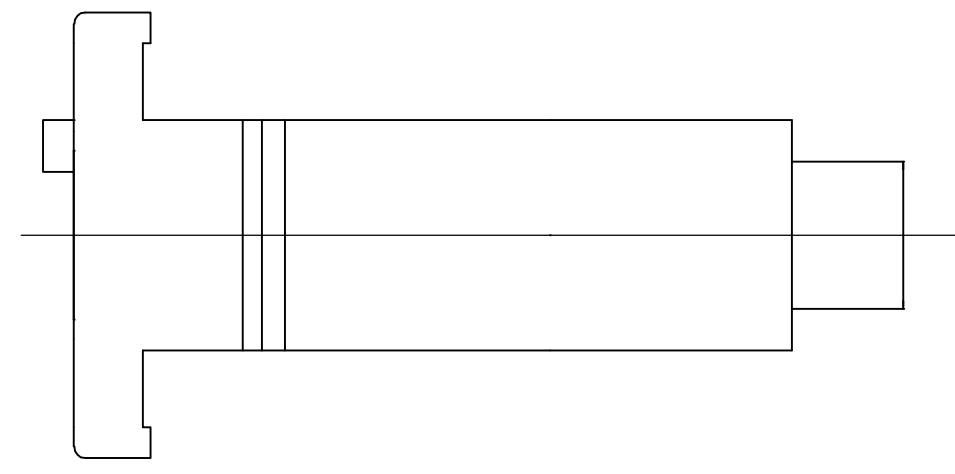
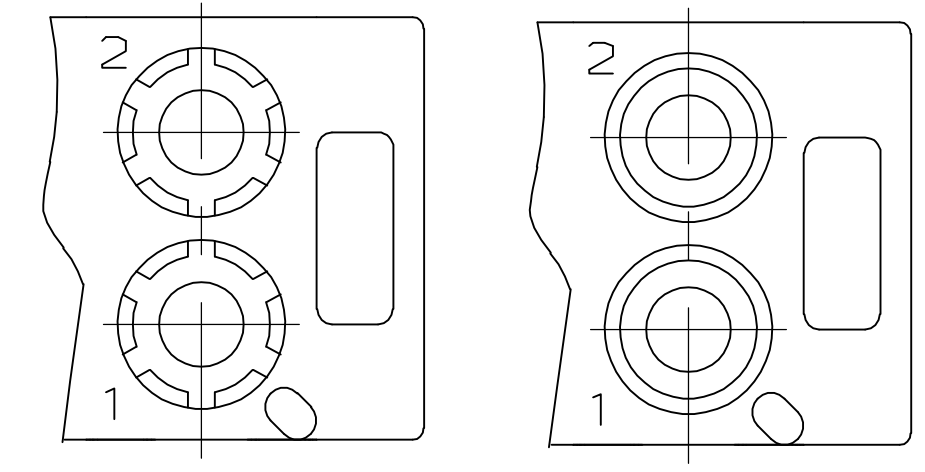


- 1 MATES WITH APPROPRIATE UNIVERSAL MATE-N-LOK™ CAP OR HEADER.
- 2 SMALL NICKS ARE PERMITTED ON THE CIRCUIT TOWERS WHICH COULD INCREASE THE INITIAL HOUSING MATING FORCE BY UP TO 4.4 NEWTONS [1.0 LBS]. NO INDIVIDUAL NICKED TOWER SHALL INCREASE THIS FORCE BY OVER 2.2 NEWTONS [.5 LBS].
- 3 DIMENSION INDICATED IS AS MOLDED. ADDITIONAL GROWTH DUE TO SUBSEQUENT MOISTURE ABSORPTION MAY OCCUR.
- 4 FOUR RIBS EQUALLY SPACED, NO SPECIFIC ORIENTATION. NO RIBS OR SIX RIBS EQUALLY SPACED, NO SPECIFIC ORIENTATION, OPTIONAL.
- 5 UNDERWRITERS RECOGNIZED COMPONENT LOGO AND CSA CERTIFICATION LOGO TO BE LOCATED ONCE ON ANY SIDE OF HOUSING.
- 6 POSITION #1 LOCATOR FEATURE MAY BE ROUND OR OBLONG (AS DEPICTED).



3-DIMENSIONAL MODEL  
NTS



DETAIL A  
OPTIONAL CONSTRUCTION

27.43	1.080
14.73	.580
13.97	.550
11.68	.460
7.62	.300
0.38	.015
0.13	.005
MM	IN

CONVERSION TABLE

BLACK	1-480698-9
GRAY	1-480698-8
BLUE	1-480698-6
GREEN	1-480698-5
YELLOW	1-480698-4
ORANGE	1-480698-3
RED	1-480698-2
BROWN	1-480698-1
NATURAL	1-480698-0
COLOR	PART NUMBER

METRIC

THIS DRAWING IS A CONTROLLED DOCUMENT.

DIMENSIONS:	TOLERANCES UNLESS OTHERWISE SPECIFIED:	DWN	K. WHITAKER	22JUL05		Tyco Electronics Corporation Harrisburg, Pa 17105-3608					
mm	0 PLC ± - 1 PLC ± - 2 PLC ± 0.13 3 PLC ± - 4 PLC ± - ANGLES ± 0.30°	CHK	S. RIDGILL	22JUL05		NAME	PLUG, 2 CIRCUIT, UNIVERSAL MATE-N-LOK(TM)				
		APVD	S. RIDGILL	22JUL05	PRODUCT SPEC	SIZE	CAGE CODE	DRAWING NO	RESTRICTED TO		
MATERIAL	NYLON,	FINISH	-	WEIGHT	-	A1	00779	480698	-		
CUSTOMER DRAWING						SCALE	4:1	SHEET	1 OF 1	REV	AH