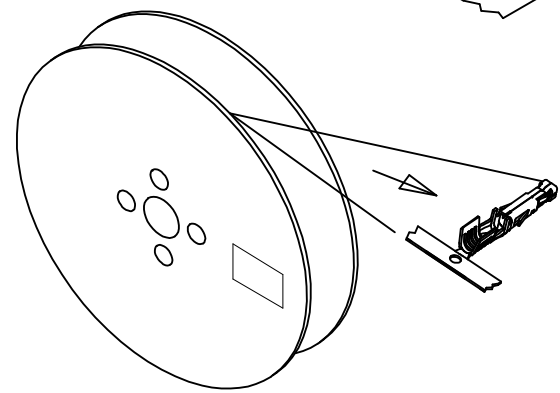
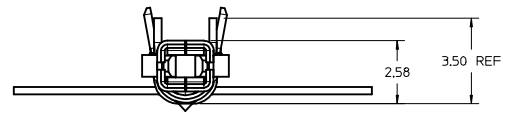
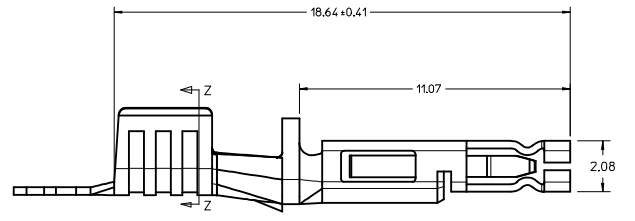
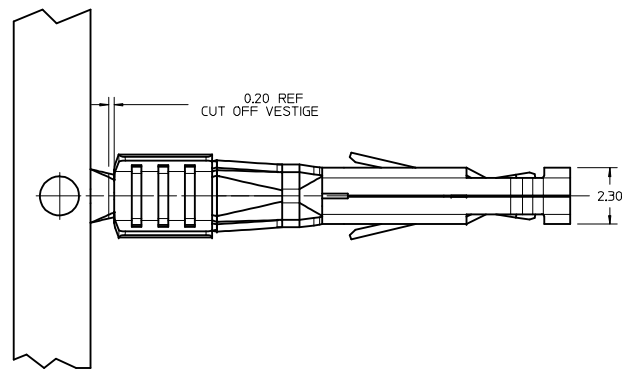
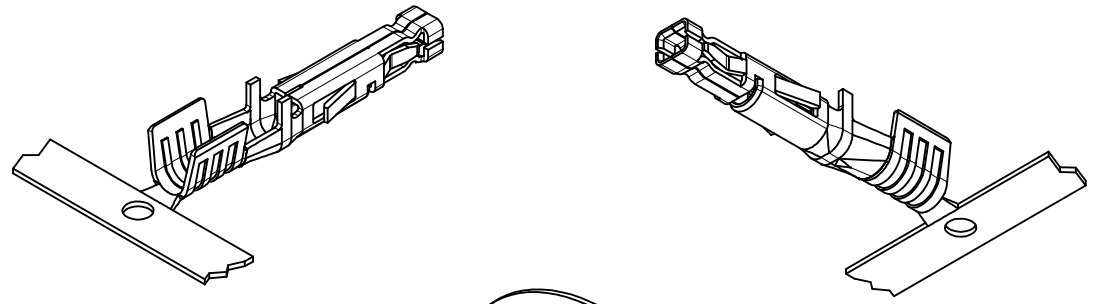
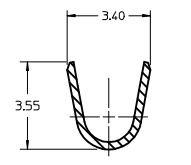


ITEM NO.	WIRE GAUGE	PLATING
172063-0311	14/16	15 GOLD
172063-0312	12	15 GOLD
172063-1311	14/16	30 GOLD
172063-1312	12	30 GOLD
X 76823-0321	14/16	TIN
X 76823-0322	12	TIN

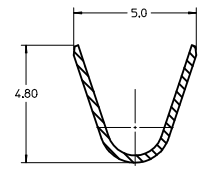
X = NOT RELEASED



FINISH PART UNWIND DIRECTION



SECTION Z-Z
CONDUCTOR CRIMP 14/16 AWG



SECTION Z-Z
CONDUCTOR CRIMP 12 AWG

NOTES:

1. MATERIAL: HIGH CONDUCTIVITY COPPER ALLOY
2. FINISH:
(TIN) 2.54 MICROMETER / (100 MICROINCH) MINIMUM TIN OVER
1.27 MICROMETER / (50 MICROINCH) MINIMUM NICKEL
(15 GOLD) 0.38 MICROMETER / (15 MICROINCH) MINIMUM SELECT GOLD AND
2.54 MICROMETER / (100 MICROINCH) MINIMUM SELECT MATTE TIN OVER
1.27 MICROMETER / (50 MICROINCH) MINIMUM NICKEL OVERALL.
(30 GOLD) 0.76 MICROMETER / (30 MICROINCH) MINIMUM SELECT GOLD AND
2.54 MICROMETER / (100 MICROINCH) MINIMUM SELECT MATTE TIN OVER
1.27 MICROMETER / (50 MICROINCH) MINIMUM NICKEL OVERALL.
3. PRODUCT SPECIFICATION: PS-76823-100
4. PACKAGING PER PK-76823-001.
5. TERMINAL FOR USE WITH 170001 & 171692 SERIES RECEPTACLES.
6. WHEN TERMINALS ARE INSTALLED IN THE HOUSING THE WIRES ARE TO BE DRESSED IN SUCH A MANNER TO ALLOW THE TERMINALS TO FLOAT FREELY IN THE POCKET.
7. THIS TERMINAL IS DESIGNED FOR SINGLE WIRE CRIMPING.
8. PART CONFORMS TO CLASS "B" REQUIREMENTS OF COSMETIC SPECIFICATION PS-45499-002.

ADD 30 GOLD IEC NO: UCP2014-1826 DRAWN BY: DRWNINGWEN CHKD: BELLE APPR: FSW TH DATE: 2013/10/24 DATE: 2013/10/24 DATE: 2013/10/20	QUALITY SYMBOLS	GENERAL TOLERANCES (UNLESS SPECIFIED)	DIMENSION STYLE	SCALE	DESIGN UNITS	THIRD ANGLE PROJECTION
	$\nabla=0$ $\nabla=0$ $\nabla=0$	mm INCH 4 PLACES ± --- ± --- 3 PLACES ± --- ± --- 2 PLACES ± 0.25 ± --- 1 PLACE ± 0.36 ± --- 0 PLACE ± ±	MM ONLY	10:1	METRIC	
	DRAFT WHERE APPLICABLE MUST REMAIN WITHIN DIMENSIONS	DRAWN BY: MKARADIMAS DATE: 2011/10/19 CHECKED BY: DATE:	TITLE: FEMALE CRIMP TERMINAL MEGA-FIT APPROVED BY: APATEL DATE: 2012/04/03	MATERIAL NO.: SEE CHART DOCUMENT NO.: SD-76823-0100	SHEET NO.: 1 OF 1	