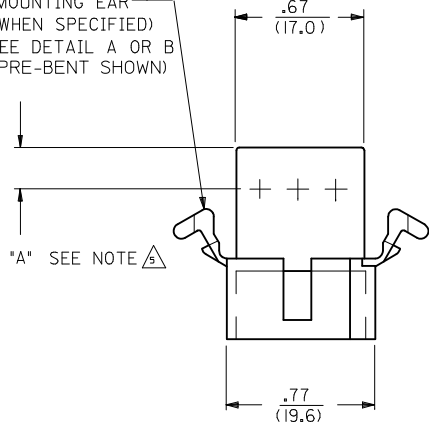
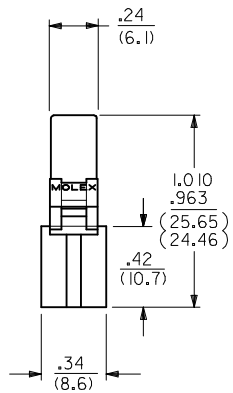


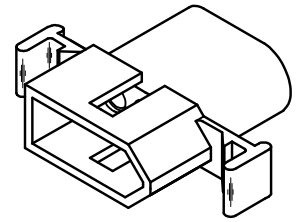
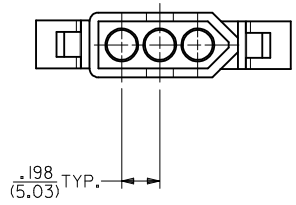
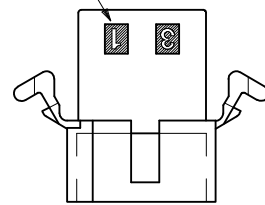
MOUNTING EAR
(WHEN SPECIFIED)
SEE DETAIL A OR B
(PRE-BENT SHOWN)



"A" SEE NOTE Δ

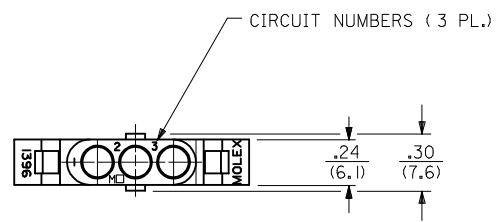


CIRCUIT I.D. NUMBERS Δ

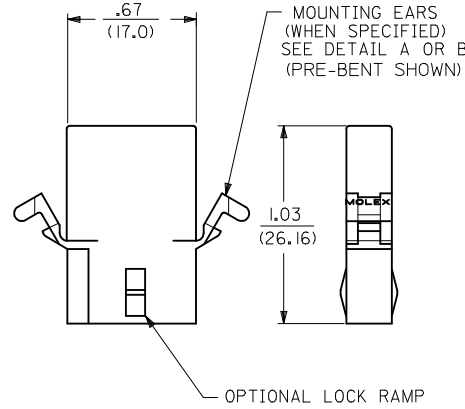
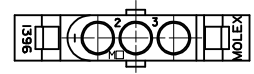


PLUG

1396-P SHOWN ABOVE (WITH STANDARD MOUNTING EAR)

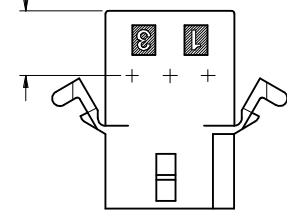


ALTERNATE END CONFIGURATION
SEE NOTE Δ

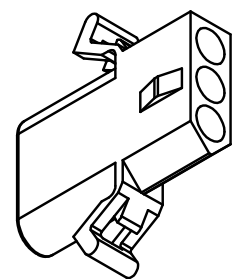
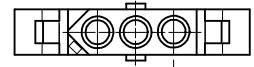


MOUNTING EARS
(WHEN SPECIFIED)
SEE DETAIL A OR B
(PRE-BENT SHOWN)

"B" SEE NOTE Δ

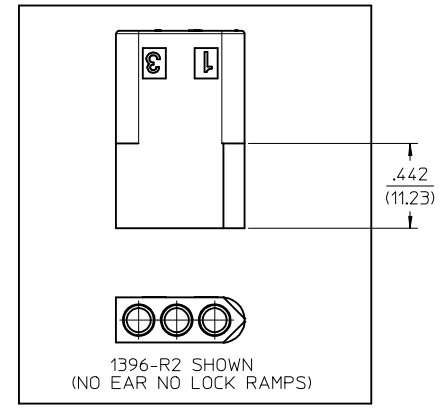


OPTIONAL LOCK RAMP



RECEPTACLE

1396-R4 SHOWN (WITH PRE-BENT EAR)

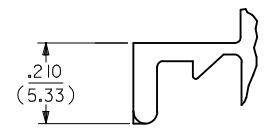
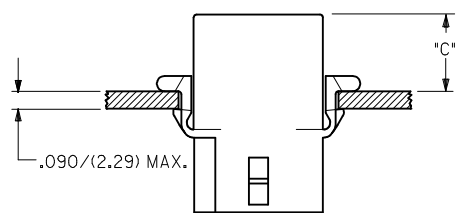


1396-R2 SHOWN
(NO EAR NO LOCK RAMPS)

ADD NOTES 7 & 8 EC NO: UCP2014-5270 DRWN:JDFX 2014/06/17 CHKD:HKIPPR 2014/06/17 APPR:FSMITH 2014/06/23	QUALITY SYMBOLS $\nabla = 0$ $\nabla = 0$ $\nabla = 0$	GENERAL TOLERANCES (UNLESS SPECIFIED)		DIMENSION STYLE IN/MM	SCALE 2:1	DESIGN UNITS INCH	THIRD ANGLE PROJECTION	
				DRAWN BY JJS	DATE 1988/04/08	.093/(2.36) HOUSING PLUG AND RECEPTACLE 3 CIRCUIT .198 CENTERS		
				CHECKED BY RW	DATE 1988/04/08			
				APPROVED BY FSMITH		DATE 2014/06/23	molex DOCUMENT NO. SD-1396-*	
		MATERIAL NO. SEE CHART		SHEET NO. 1 OF 2				
DRAFT WHERE APPLICABLE MUST REMAIN WITHIN DIMENSIONS		ANGULAR $\pm 1/2^\circ$		THIS DRAWING CONTAINS INFORMATION THAT IS PROPRIETARY TO MOLEX INCORPORATED AND SHOULD NOT BE USED WITHOUT WRITTEN PERMISSION				

13	12	11	10	9	8	7	6	5	4	3	2	1
PLUG		RECEPTACLE										
ORDER NO.	ENG. NO.	ORDER NO.	ENG. NO.									
03-09-2031	I396-P	03-09-1031	I396-R									
03-09-2032	I396-P1	03-09-1032	I396-R1									
03-09-7032	I396-PIBK	03-09-1033	I396-R2									
03-09-7031	I396-PBK	03-09-6033	I396-R2BK									
03-09-2037	I396-P3	03-09-6032	I396-RIBK									
		03-09-6031	I396-RBK									
		03-09-1081	I396-R4									

HOUSING	DIM. "A"	DIM. "B"	"C" PREBENT EAR	"C" STANDARD EAR
PLUG	.933/(23.70)	.375/(9.53)	.40/(10.2)	.38/(9.7)
RECEPT.	.830/(21.08)	.312/(7.92)	.41/(10.4)	.39/(9.9)



LEGEND:

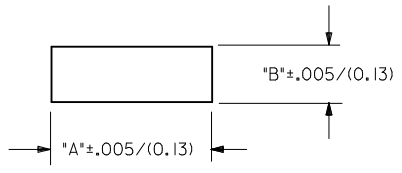
I396-****-*

P = PLUG
R = RECEPTACLE

BLANK = WITH STANDARD EARS
 1 = WITHOUT EARS
 2 = RECEPTACLE WITHOUT EARS, WITHOUT LOCK RAMP
 3 = PLUG ONLY, W/ SIDE MOUNT (SEE SD-I396-P3)
 4 = WITH PREBENT EARS

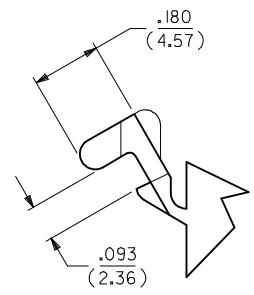
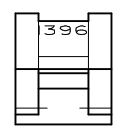
COLOR: BLANK=NATURAL COLOR
 AM=AMBER BK=BLACK BU=BLUE
 BN=BROWN GY=GRAY GN=GREEN
 OR=ORANGE RD=RED YW=YELLOW

BLANK = NYLON 6/6, 94V-2



RECOMMENDED PANEL MOUNTING HOLE

DETAIL A
STANDARD MOUNTING EAR
(SCALE 4:1)

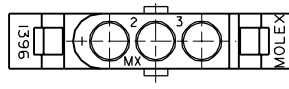
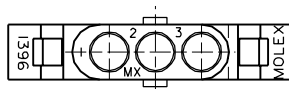


DETAIL B
PREBENT MOUNTING EAR
(SCALE 4:1)

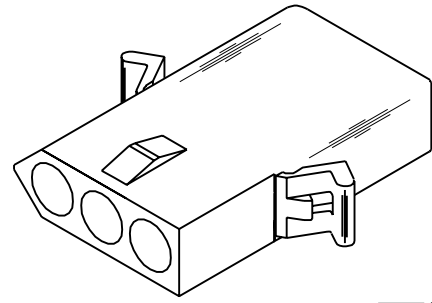
NOTES:

- MATERIAL: SEE LEGEND
- FINISH: NOT APPLICABLE
- PRODUCT SPECIFICATION: PS-02-09
- PACKAGING INFORMATION: REFER TO PK-1396-001
- Δ DIMENSION FROM THE BACK OF THE HOUSING TO THE END OF BRUSH ON WIRE INSERTED INTO THE HOUSING:
 DIM "A"= .256/6.50 FOR 42477 & 42478 TERMINALS
 .216/5.49 FOR ALL OTHER .093 TERMINALS
 DIM "B"= .377/9.58 FOR 42477 & 42478 TERMINALS
 .337/8.56 FOR ALL OTHER .093 TERMINALS
- Δ CIRCUIT I.D. NUMBERS ON SIDE OF HOUSING APPEAR ON PARTS FROM TOOLS BUILT AFTER 5/4/93.
- Δ END CONFIGURATION IS DEPENDENT ON MOLD DESIGN. PARTS MAY HAVE EITHER CONFIGURATION.
- PARTS CONFORM TO CLASS B REQUIREMENTS OF COSMETIC SPECIFICATION PS-45499-002.

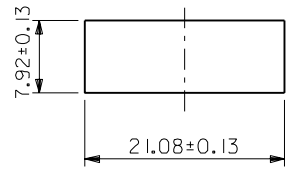
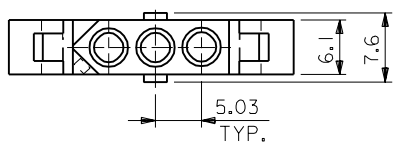
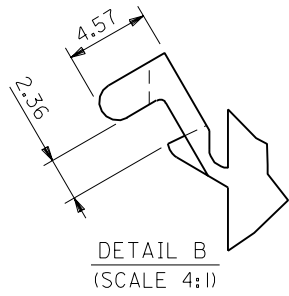
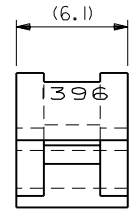
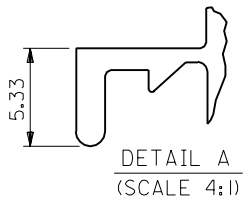
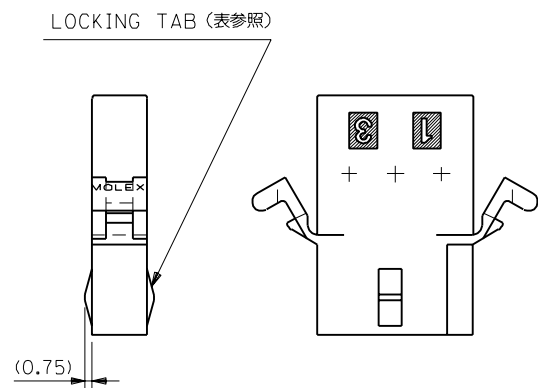
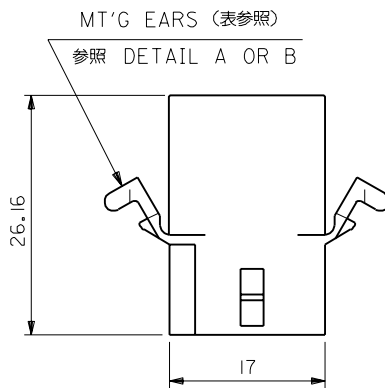
ADD NOTES 7 & 8 EC NO: UCP2014-5270 DRWN:JDFX 2014/06/17 CHKD:HKIPPER 2014/06/17 APPR:FSMITH 2014/06/23	QUALITY SYMBOLS	GENERAL TOLERANCES (UNLESS SPECIFIED)	DIMENSION STYLE	SCALE	DESIGN UNITS	THIRD ANGLE PROJECTION
	$\nabla=0$	mm INCH	IN/MM	2:1	INCH	
	$\nabla=0$	4 PLACES ± --- ± ---	DRAWN BY DATE	TITLE .093/(2.36) HOUSING PLUG AND RECEPTACLE 3 CIRCUIT .198 CENTERS molex		
	$\nabla=0$	3 PLACES ± --- ±.010	CHECKED BY DATE			
	$\nabla=0$	2 PLACES ± 0.25 ±.014	APPROVED BY DATE			
$\nabla=0$	1 PLACE ± 0.35 ± ---	DATE				
	0 PLACE ± --- ± ---	FSMITH 2014/06/23	MATERIAL NO.	DOCUMENT NO.	SHEET NO.	
		ANGULAR ±1/2°	SEE CHART	SD-1396-*	2 OF 2	
		DRAFT WHERE APPLICABLE MUST REMAIN WITHIN DIMENSIONS	THIS DRAWING CONTAINS INFORMATION THAT IS PROPRIETARY TO MOLEX INCORPORATED AND SHOULD NOT BE USED WITHOUT WRITTEN PERMISSION			



OPTIONAL END CONFIGURATION



RECEPTACLE



パネル取付穴寸法
(パネル厚 2.29最大)

I396R4	03-09-1081	有	WITH	有 WITH DETAIL B
I396R2	03-09-1033	無	WITHOUT	無 WITHOUT
I396R1	03-09-1032	有	WITH	無 WITHOUT
I396R	03-09-1031	有	WITH TABS	有 WITH DETAIL A
ENG. NO.	EDP NO.	LOCKING TABS	MT'G EARS	

DO NOT SCALE DRAWING

EC NO. DRWN: CHK: APPR:	EC NO. DRWN: CHK: APPR:	EC NO. DRWN: CHK: APPR:	EC NO. DRWN: CHK: APPR:	EC NO. DRWN: CHK: APPR:
RELEASED EC NO. JC2001-0078 DRWN: K.KOHAMA '00/08/28 CHK: T.YAMAGUCHI APPR: M.FUKUSHIMA				
DESCRIPTION				
MATERIAL 材料 NYLON66 94V-2				
FINISH 仕上り				
WIRE RANGE 適用線径範囲				
INS. RANGE 被覆径				

GENERAL TOLERANCES: (UNLESS SPECIFIED) 一般公差	SCALE 2 : 1	DESIGN UNITS <input checked="" type="checkbox"/> mm <input type="checkbox"/> INCH	THIRD ANGLE PROJECTION <input type="checkbox"/> mm <input type="checkbox"/> INCH <input checked="" type="checkbox"/> mm ONLY	SHT REV
10 UNDER 未満	+0.25 ±0.2	DRAWN BY & DATE K.KOHAMA '00/08/28	TITLE: 3 CIRCUITS RCPT HSG (0.093 DIA TERMINAL)	REVISE ON CAD ONLY
10 OVER 以上	+0.3 ±0.25	CHECKED BY & DATE T.YAMAGUCHI '00/08/28	MATERIAL NO. DRAWING NO. SD-1396-001	SHEET NO. 1 OF 1
30 OVER 以上	+0.35 ±0.3	APPROVED BY & DATE M.FUKUSHIMA '00/08/28	MATERIAL NO. DRAWING NO. SD-1396-001	SIZE B
ANGLE 角度	+3°	CAD FILENAME I396001.S01	THIS DRAWING CONTAINS INFORMATION THAT IS PROPRIETARY TO MOLEX INCORPORATED AND SHOULD NOT BE USED WITHOUT WRITTEN PERMISSION.	

MODEL NO.	03-09-1***	DIMENSIONS:		SHT	REV
		<input type="checkbox"/> mm	<input type="checkbox"/> INCH	<input checked="" type="checkbox"/> mm ONLY	REVISE ON CAD ONLY
MATERIAL NO. DRAWING NO. SD-1396-001					
SHEET NO. 1 OF 1					
SIZE B					