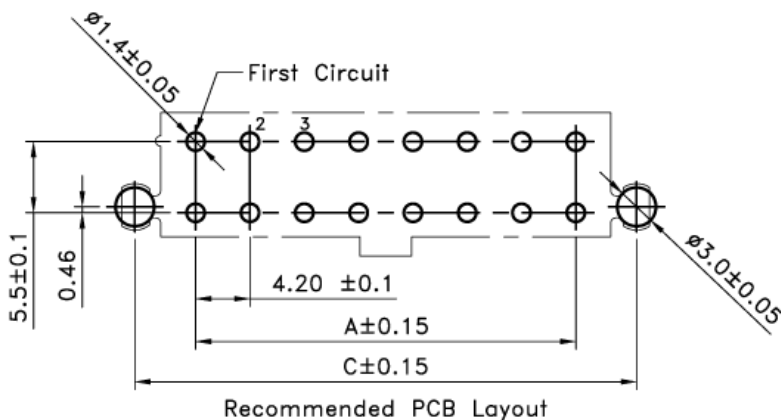
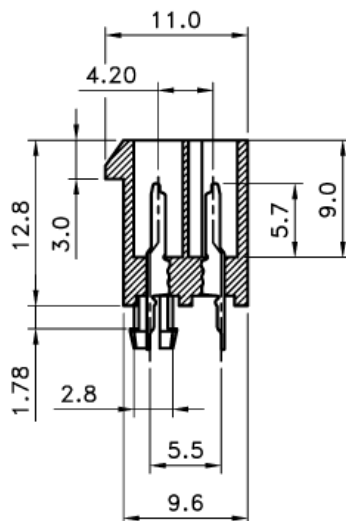
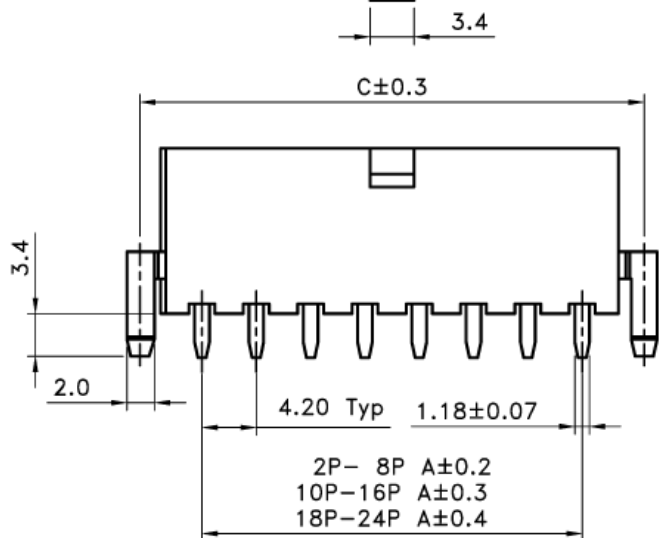
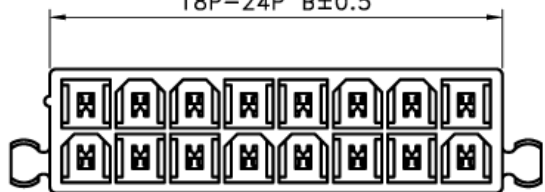


2P- 8P B±0.3
 10P-16P B±0.4
 18P-24P B±0.5



SPECIFICATIONS

Voltage rating : 250V AC/DC
 Current rating : 7A AC/DC
 Withstanding voltage : 1500V AC/minute
 Contact resistance : 20mΩ max
 Temperature range : -40°C to +105°C
 Insulation resistance : 1000MΩ min
MATERIAL
 Insulator : Nylon66 (UL94V-2)
 Insulator color : Transprant White
 Contact : Brass
 Plating : Tin Plated

Poles	Dimensions(mm)		
	A	B	C
2	----	5.60	9.40
4	4.20	9.80	13.60
6	8.40	14.00	17.80
8	12.60	18.20	22.00
10	16.80	22.40	26.20
12	21.00	26.60	30.40
14	25.20	30.80	34.60
16	29.40	35.00	38.80
18	33.60	39.20	43.00
20	37.80	43.40	47.20
22	42.00	47.60	51.40
24	46.20	51.80	55.60

TOLERANCE (mm)	APPROVALS	DATE	TITLE	AMPHENOL
X. ±0.3	DRAWN Stephane	05/Jan/2007	4.2 Power Wafer Straight Dip w/Pegs	Amphenol European Design Center
XX ±0.2	CHECKED Rob	05/Jan/2007		
X.XX ±0.15	APPROVED Rob	05/Jan/2007		
UNLESS OTHERWISE SPECIFIED	UNIT: mm	SIZE: A4	DRAWING N°	Scale N.A. Sheet 1 of 1
			MF42-SP-XX	REV. A