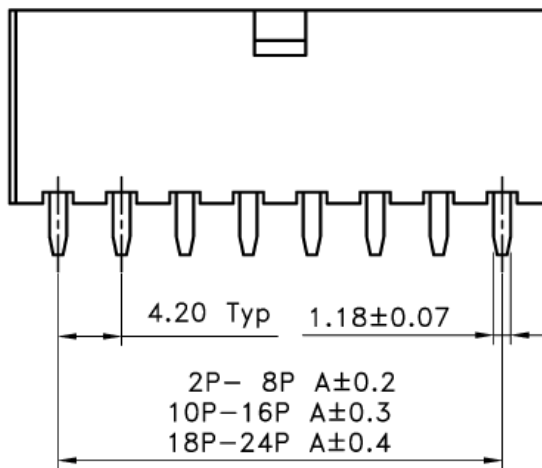
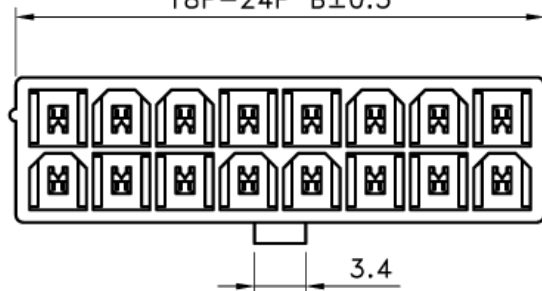


2P- 8P B±0.3  
 10P-16P B±0.4  
 18P-24P B±0.5

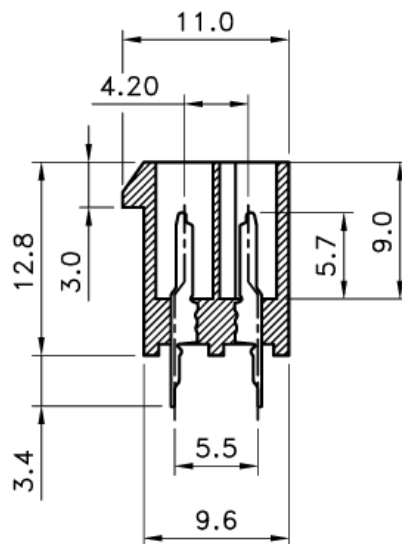


### SPECIFICATIONS

Voltage rating : 250V AC/DC  
 Current rating : 7A AC/DC  
 Withstanding voltage : 1500V AC/minute  
 Contact resistance : 20mΩ max  
 Temperature range : -40°C to +105°C  
 Insulation resistance : 1000MΩ min

### MATERIAL

Insulator : Nylon66 (UL94V-2)  
 Insulator color : Transparnt White  
 Contact : Brass  
 Plating : Tin Plated



Poles	Dimensions(mm)	
	A	B
2	-----	5.60
4	4.20	9.80
6	8.40	14.00
8	12.60	18.20
10	16.80	22.40
12	21.00	26.60
14	25.20	30.80
16	29.40	35.00
18	33.60	39.20
20	37.80	43.40
22	42.00	47.60
24	46.20	51.80

TOLERANCE (mm)	APPROVALS	DATE	TITLE  4.2 Power Wafer Straight Dip	AMPHENOL Amphenol European Design Center
X. ±0.3	DRAWN Stephane	06/Apr/2006		
XX ±0.2	CHECKED Rob	06/Apr/2006		
X.XX ±0.15	APPROVED Rob	06/Apr/2006		
UNLESS OTHERWISE SPECIFIED	UNIT : mm		SIZE : A4	DRAWING N° MF42-SD-XX
				Scale N.A. Sheet 1 of 1
				REV. A