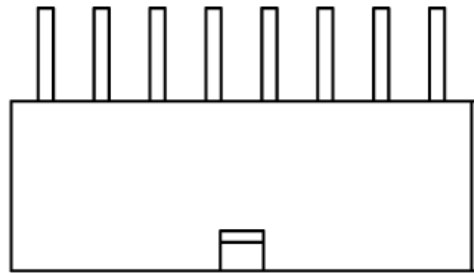
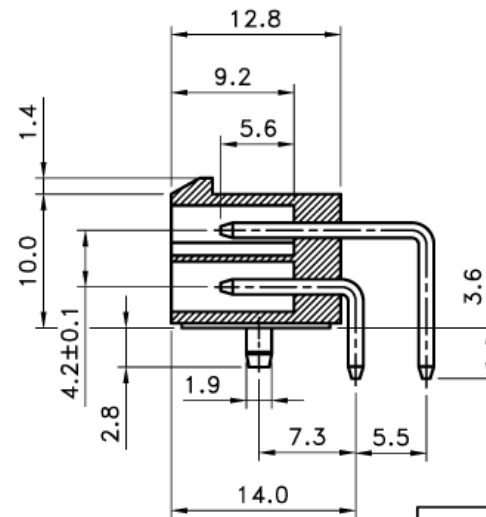
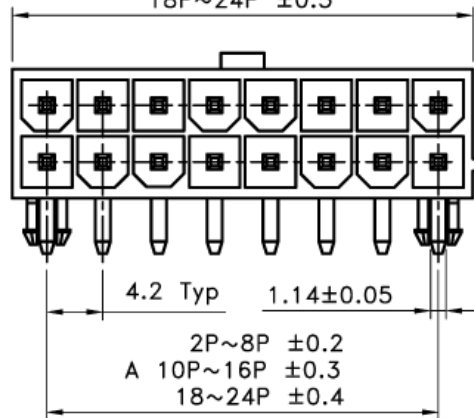


SPECIFICATIONS
 Voltage rating : 250V AC/DC
 Current rating : 7A AC/DC
 Withstanding voltage : 1500V AC/minute
 Contact resistance : 20mΩ max
 Temperature range : -40°C to +105°C
 Insulation resistance : 1000MΩ min
MATERIAL
 Insulator : Nylon66 (UL94V-2)
 Insulator color : Transparnt White
 Contact : Brass
 Plating : Tin Plated



2P~8P ±0.3
 B 10P~16P ±0.4
 18P~24P ±0.5



Poles	Dimensions(mm)	
	A	B
2	----	5.60
4	4.20	9.80
6	8.40	14.00
8	12.60	18.20
10	16.80	22.40
12	21.00	26.60
14	25.20	30.80
16	29.40	35.00
18	33.60	39.20
20	37.80	43.40
22	42.00	47.60
24	46.20	51.80

TOLERANCE (mm)	APPROVALS	DATE	TITLE 4.2 Power Wafer R/A Dip w/Pegs	AMPHENOL Amphenol European Design Center	
X. ±0.3	DRAWN Stephane	05/Jan/2007			
XX ±0.2	CHECKED Rob	05/Jan/2007			
X.XX ±0.15	APPROVED Rob	05/Jan/2007			
UNLESS OTHERWISE SPECIFIED	UNIT : mm		SIZE : A4	DRAWING N° MF42-RP-XX	Scale N.A. Sheet 1 of 1