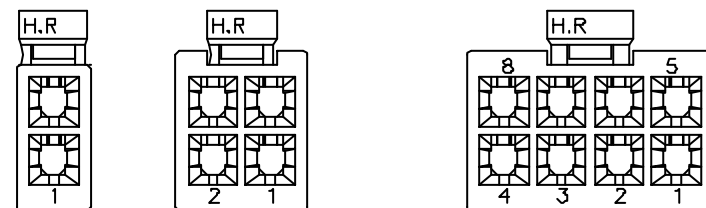
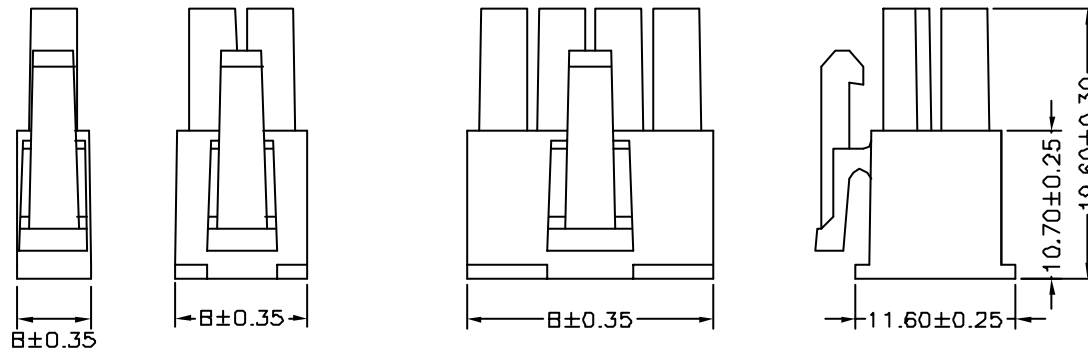


SPECIFICATIONS

Current Rating: 9A AC,DC
 Voltage Rating: 600V AC,DC
 Temperature Range: -25°C ~ +85°C
 Contact Resistance: 10mΩ Max
 Insulation Resistance: 1000MΩ Min
 Withstanding Voltage: 1500V AC/minute
 Material: Nylon 66,UL94V-2
 Color: Natural(Translucent)

Ordering Information & Dimensions

PART NO.	Dimensions	
	A	B
C4255HF-2X01P	---	5.70
C4255HF-2X02P	4.20	9.60
C4255HF-2X03P	8.40	13.80
C4255HF-2X04P	12.60	18.00
C4255HF-2X05P	16.80	22.20
C4255HF-2X06P	21.00	26.40
C4255HF-2X07P	25.20	30.60
C4255HF-2X08P	29.40	34.80
C4255HF-2X09P	33.60	39.00
C4255HF-2X10P	37.80	43.20
C4255HF-2X11P	42.00	47.40
C4255HF-2X12P	46.20	51.60



2X01P

2X02P



JOINT TECH ELECTRONIC IND. CO., LTD.
 JOY DAY INDUSTRIAL CO., LTD.

UNIT: mm
 SCALE: 1 of 1
 DRAWN BY: 李勤
 DATE: 2006.06.07

APPROVED BY: 董正一
 DATE: 2006.06.07

TITLE:
 4.20mm PITCH
 HOUSING-RECEPTACLE,
 MINI-FIT

REV.	DESCRIPTION	DATE	GENERAL TOLERANCE	ANGLE ±
A2	REVISE	2006.09.11	X.X ±0.25	ANGLE ±
A1	REVISE	2006.06.26	X.XX ±0.15	
A0	NEW RELEASE	2006.06.07	X.XXX ±0.05	

DRAW NO.: C4255HF-2XNP
 REV. A2