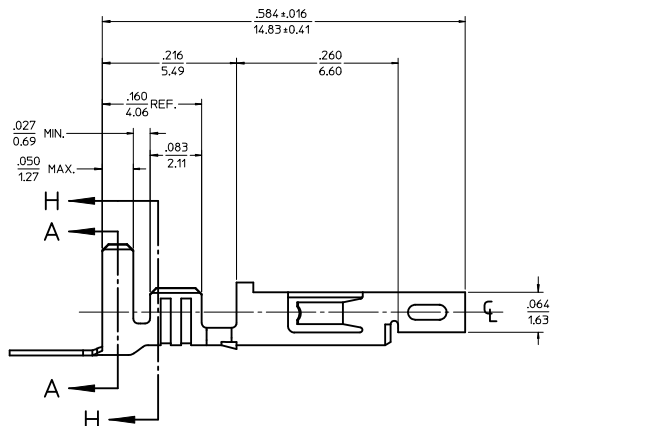
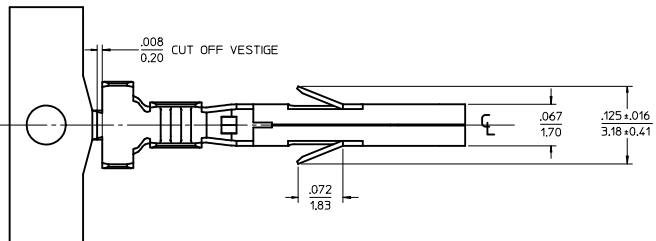
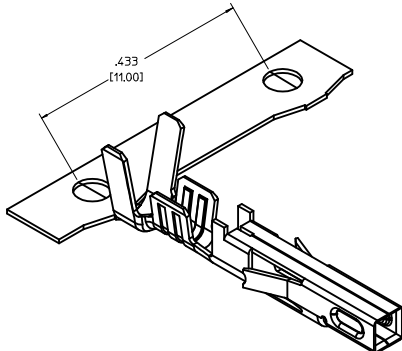


ITEM NO.	FORM	WIRE GAGE	DIM 'B'	DIM 'C'	DIM 'D'	DIM 'E'	DIM 'F'	DIM 'G'	PLATING: SEE NOTE 2
45750111	CHAIN	18-20	.142±.012 (3.60±0.30)	.177±.016 (4.50±0.40)	.035 (0.90)	.075±.012 (1.90±0.30)	.091±.016 (2.30±0.40)	.020 (0.50)	1 TIN OVER NICKEL
45750112	LOOSE								
45750311	CHAIN	16	.142±.012 (3.60±0.30)	.177±.016 (4.50±0.40)	.035 (0.90)	.091±.012 (2.30±0.30)	.106±.016 (2.70±0.40)	.024 (0.60)	2 SELECT GOLD OVER NICKEL
45750312	LOOSE								
45750121	CHAIN	18-20	.142±.012 (3.60±0.30)	.177±.016 (4.50±0.40)	.035 (0.90)	.075±.012 (1.90±0.30)	.091±.016 (2.30±0.40)	.020 (0.50)	2 SELECT GOLD OVER NICKEL
45750122	LOOSE								
45750321	CHAIN	16	.142±.012 (3.60±0.30)	.177±.016 (4.50±0.40)	.035 (0.90)	.091±.012 (2.30±0.30)	.106±.016 (2.70±0.40)	.024 (0.60)	2 SELECT GOLD OVER NICKEL
45750322	LOOSE								

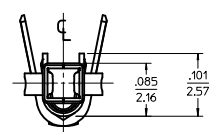
NOTES:

- MATERIAL: COPPER ALLOY .0080/(0.203) THICK
- FINISH:
 - .000100/(0.00254) MIN. BRIGHT TIN OVER .000050/(0.00127) MIN NICKEL OVERALL.
 - .000030/(0.00076) MIN. SELECT GOLD IN CONTACT AREA AND .000100/(0.00254) MIN. SELECT MATTE TIN IN CRIMP AREA OVER .000050/(0.00127) MIN. NICKEL OVERALL.
 GOLD PLATING RECOMMENDED FOR APPLICATIONS WHERE FRETTING CORROSION IS A CONCERN.
- PRODUCT SPECIFICATION: PS-45750-001 (JR)
PS-45750-002 (BM)
PS-45750-003 (TPA)
- PACKAGING SPECIFICATION : PK-45750-001 FOR CHAIN TERMINALS
PK-5556-003 FOR LOOSE TERMINALS
- TERMINAL FOR USE WITH 5557, 42474, 44516, 43760, AND 30067 SERIES HOUSINGS.
- WHEN TERMINALS ARE INSTALLED IN THE HOUSING, THE WIRES ARE TO BE DRESSED IN SUCH A MANNER TO ALLOW THE TERMINALS TO FLOAT FREELY IN THE POCKET.
- THIS TERMINAL IS DESIGNED FOR SINGLE WIRE CRIMPING.

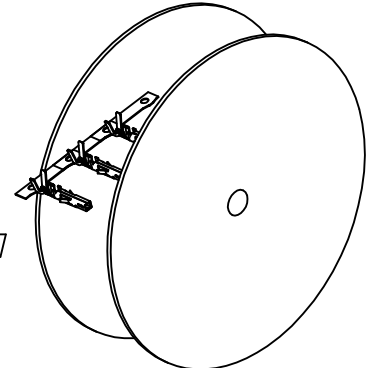


LEGEND

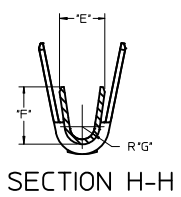
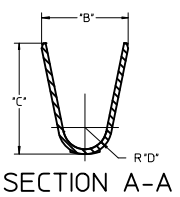
45750 * * 1 *
 BASE NUMBER: 1 = CHAIN, 2 = LOOSE
 WIRE GAGE: 1 = 18-20, 3 = 16
 PLATING (SEE NOTE 2): 1 = TIN OVER NICKEL, 2 = SELECT GOLD



REEL WIND DIRECTION

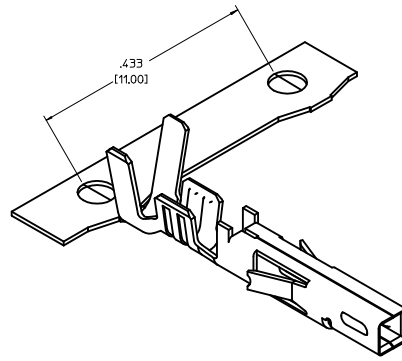


RoHS COMPLIANT

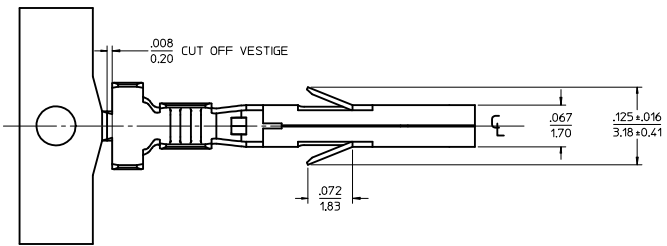


ADDED PACKAGING NOTES IEC NO: UICP2010-0471 DRAWN: J JAGUILAR 2009/10/23 CHKD: J BELL 2009/10/23 APPROVED: SM TH 2009/10/28	QUALITY SYMBOLS ▽=0 ▽=0	GENERAL TOLERANCES (UNLESS SPECIFIED):		DIMENSION STYLE IN/MM	SCALE 10:1	DESIGN UNITS INCH	THIRD ANGLE PROJECTION		
		4 PLACES ±.--- ±.--- 3 PLACES ±.--- ±.010 2 PLACES ±0.25 ±.014 1 PLACE ±0.36 ±.--- ANGULAR ±1/2°	mm INCH --- --- --- --- --- --- --- ---	DRAWN BY DATE SML 2004/01/30	CHECKED BY DATE MMD 2004/01/30	TITLE FEMALE CRIMP TERMINAL, H.C.S.PLUS, MINI-FIT JR. SERIES			
		DRAFT WHERE APPLICABLE MUST REMAIN WITHIN DIMENSIONS		MATERIAL NO. SEE CHART	APPROVED BY DATE AP 2004/02/05	MOLEX INCORPORATED			

ITEM NO.	FORM	WIRE GAGE	DIM. "B"	DIM. "C"	DIM. "D"	DIM. "E"	DIM. "F"	DIM. "G"
460182541	CHAIN	22-24	.091±.012 (2.30±0.30)	.091±.016 (2.30±0.40)	.024 (0.60)	.071±.012 (1.80±0.30)	.045±.016 (1.65±0.40)	.016 (0.40)
460181541	CHAIN	18-20	.142±.012 (3.60±0.30)	.177±.016 (4.50±0.40)	.035 (0.90)	.075±.012 (1.90±0.30)	.091±.016 (2.30±0.40)	.020 (0.50)
460183541	CHAIN	16	.142±.012 (3.60±0.30)	.177±.016 (4.50±0.40)	.035 (0.90)	.091±.012 (2.30±0.30)	.106±.016 (2.70±0.40)	.024 (0.60)

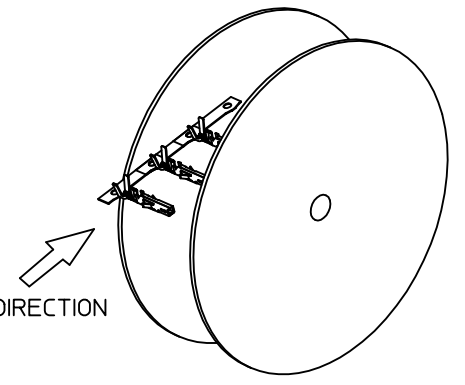
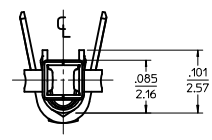
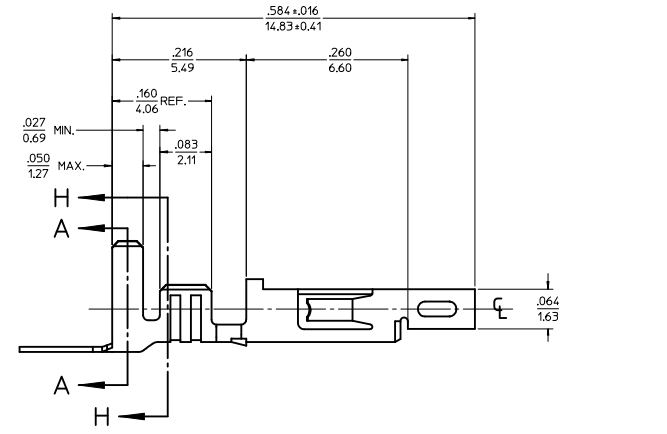


- NOTES:**
- MATERIAL: COPPER ALLOY .0080/(0.203) THICK
 - FINISH:
 - .000030/.00076 MIN. SELECT GOLD IN CONTACT AREA AND .000100/.00254 MIN. SELECT MATTE TIN IN CRIMP AREA OVER .000050/.00127 MIN. NICKEL OVERALL.
 - PROPRIETARY MOLEX ADVANCED CONTACT SURFACE FINISH (CSF) IN CONTACT AREA.
 - PRODUCT SPECIFICATION: PS-46018-004
 - PACKAGING INFORMATION: PK-46018-001 FOR CHAIN TERMINALS
 - MATES WITH: MALE TERMINAL SERIES 46011, 44068, 42404, 43810, 46014, 5569, 46015, 30070.
 - TERMINAL FOR USE WITH 5557, 42474, 44516, 43760, AND 30067 SERIES HOUSINGS.
 - WHEN TERMINALS ARE INSTALLED IN THE HOUSING, THE WIRES ARE TO BE DRESSED IN SUCH A MANNER TO ALLOW THE TERMINALS TO FLOAT FREELY IN THE POCKET.
 - THIS TERMINAL IS DESIGNED FOR SINGLE WIRE CRIMPING.
 - THIS PART CONFORMS TO CLASS B REQUIREMENTS OF COSMETIC SPEC PS-45499-002.

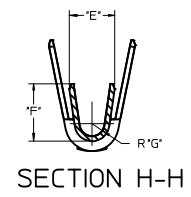
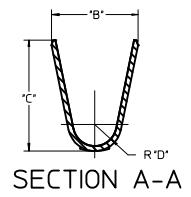


LEGEND

46018*54*
 BASE NUMBER FORM
 1 = CHAIN
 WIRE GAGE
 1 = 18-20
 2 = 22-24
 3 = 16

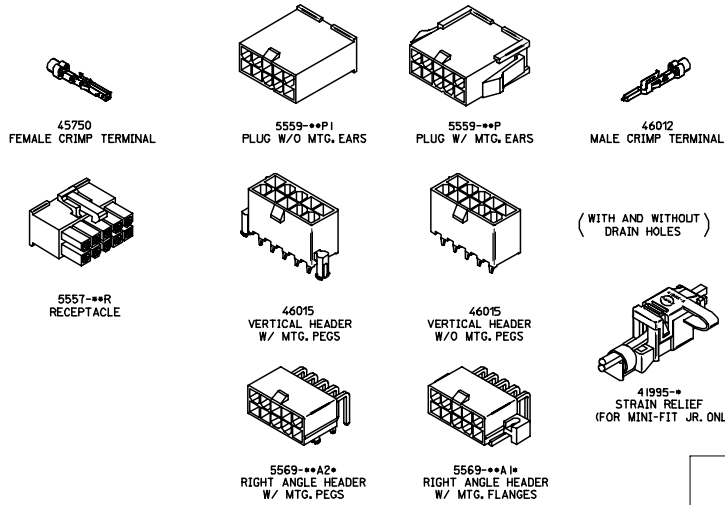


RoHS COMPLIANT

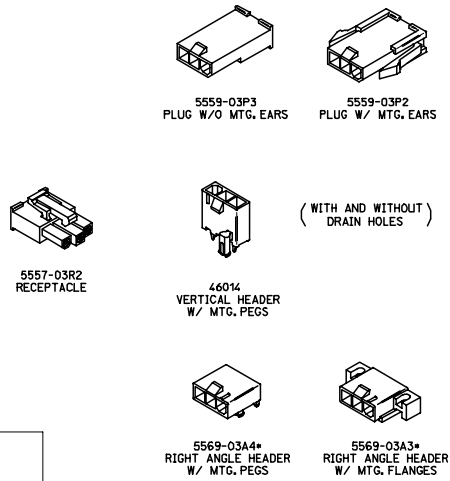


CHG PLTG. ADD CSF EC NO: UCP2011-3318 DRAWN: BANDERSON CHKD: BELL APPROV: SMITH	DESCRIPTION 2011/04/26 2011/04/26 2011/09/02	QUALITY SYMBOLS		GENERAL TOLERANCES (UNLESS SPECIFIED)		DIMENSION STYLE		SCALE	DESIGN UNITS	THIRD ANGLE PROJECTION
		∇=0 ∇=0 ∇=0	4 PLACES ±--- ±--- 3 PLACES ±--- ±.010 2 PLACES ±0.25 ±.014 1 PLACE ±0.36 ±---	mm INCH	IN/MM	10:1	INCH	DATE 2005-08-17	DATE 2005-08-17	DATE 2005-08-17
DRAFT WHERE APPLICABLE MUST REMAIN WITHIN DIMENSIONS		MATERIAL NO. SEE CHART		ANGULAR ±1/2°		MOLEX INCORPORATED		DOCUMENT NO. SD-46018-001		
SIZE D		THIS DRAWING CONTAINS INFORMATION THAT IS PROPRIETARY TO MOLEX INCORPORATED AND SHOULD NOT BE USED WITHOUT WRITTEN PERMISSION				SHEET NO. 1 OF 1				

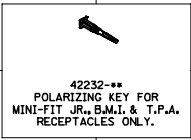
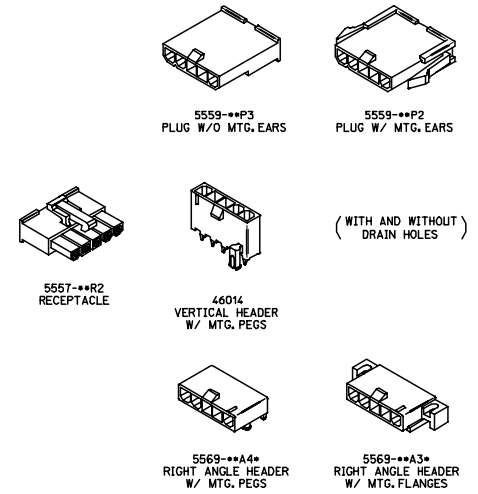
**MINI-FIT JR. PLUS HCS SERIES
DUAL ROW**



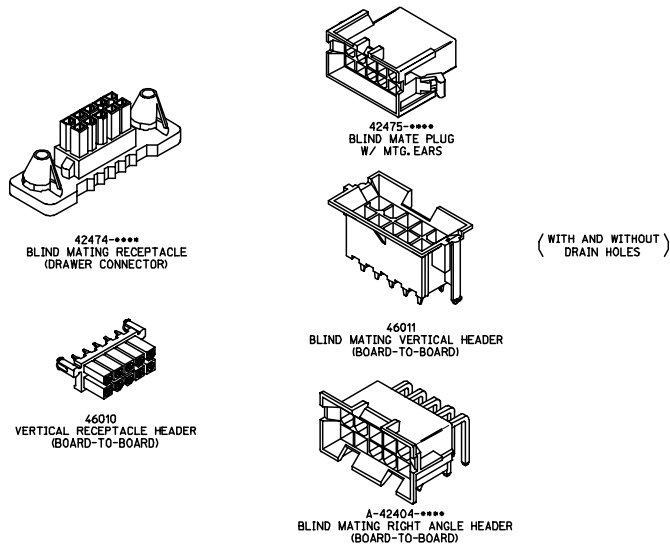
**MINI-FIT JR. PLUS HCS SERIES
(MAKE-FIRST/BREAK-LAST)**



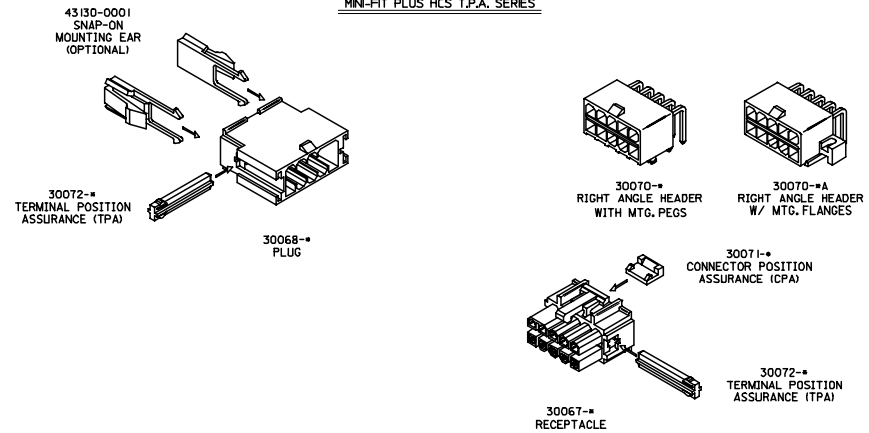
**MINI-FIT JR. PLUS HCS SERIES
SINGLE ROW**



MINI-FIT PLUS HCS B.M.I. SERIES



MINI-FIT PLUS HCS T.P.A. SERIES



INITIAL RELEASE EC NO: UCP2006-2550 DRAWN: JGREGORI 2006/05/12 CHECKED: JCOMERC 2006/05/13 APPR: JCOMERC 2006/05/15 A	QUALITY SYMBOLS	GENERAL TOLERANCES (UNLESS SPECIFIED)	DIMENSION STYLE	SCALE	DESIGN UNITS	THIRD ANGLE PROJECTION	
	$\nabla=0$ $\nabla=0$	INCH 4 PLACES ± --- ± --- 3 PLACES ± --- ± --- 2 PLACES ± --- ± --- 1 PLACE ± --- ± --- ANGULAR ± --- °	IN/MM DRAWN BY DATE JGREGORI 2006/04/27 CHECKED BY DATE JCOMERC I APPROVED BY DATE JCOMERC I	IN/MM	METRIC	MOLEX	MINI-FIT PLUS HCS CONNECTOR FAMILY (INDEX DRAWING) MOLEX INCORPORATED
	DRAFT WHERE APPLICABLE MUST REMAIN WITHIN DIMENSIONS	SEE ABOVE	MATERIAL NO. SDIN-45750-001	DOCUMENT NO.	SHEET NO. 1 OF 1		
	THIS DRAWING CONTAINS INFORMATION THAT IS PROPRIETARY TO MOLEX INCORPORATED AND SHOULD NOT BE USED WITHOUT WRITTEN PERMISSION						