

NATURAL HEADERS

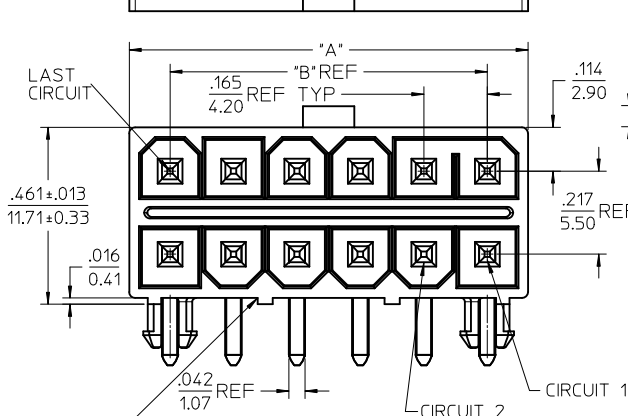
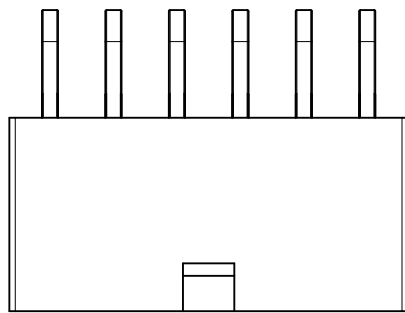
30070-1232	12	GOLD	1.039	.827
30070-1235		TIN	(26.40)	(21.00)
30070-1032	10	GOLD	.874	.661
30070-1035		TIN	(22.20)	(16.80)
30070-0832	8	GOLD	.709	.496
30070-0835		TIN	(18.00)	(12.60)
30070-0632	6	GOLD	.543	.331
30070-0635		TIN	(13.80)	(8.40)
30070-0432	4	GOLD	.378	.165
30070-0435		TIN	(9.60)	(4.20)
30070-0232	2	GOLD	.213	—
30070-0235		TIN	(5.40)	—

PART NUMBER	CKT. SIZE	PLATING	DIM. "A"	DIM. "B"
-------------	-----------	---------	----------	----------

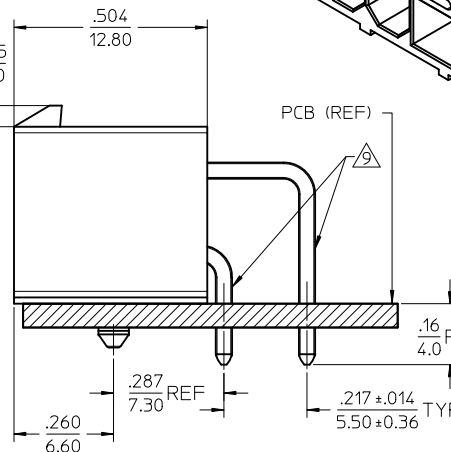
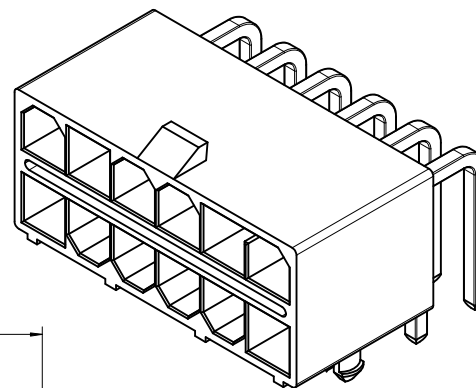
BLACK HEADERS

30070-1212	12	GOLD	1.039	.827
30070-1215		TIN	(26.40)	(21.00)
30070-1012	10	GOLD	.874	.661
30070-1015		TIN	(22.20)	(16.80)
30070-0812	8	GOLD	.709	.496
30070-0815		TIN	(18.00)	(12.60)
30070-0612	6	GOLD	.543	.331
30070-0615		TIN	(13.80)	(8.40)
30070-0412	4	GOLD	.378	.165
30070-0415		TIN	(9.60)	(4.20)
30070-0212	2	GOLD	.213	—
30070-0215		TIN	(5.40)	—

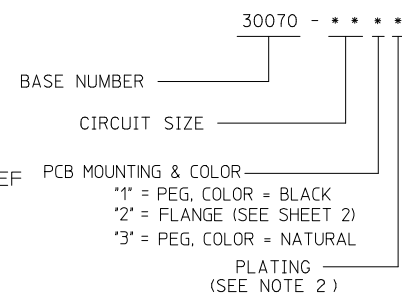
PART NUMBER	CKT. SIZE	PLATING	DIM. "A"	DIM. "B"
-------------	-----------	---------	----------	----------



SHOWN WITH OPTIONAL CENTER RIBS
MAY OR MAY NOT BE PRESENT
DEPENDING ON CIRCUIT SIZE



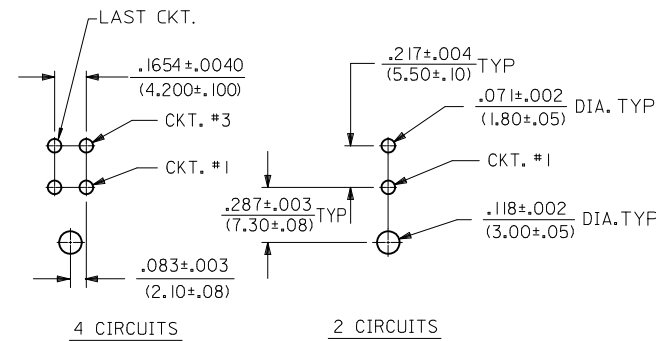
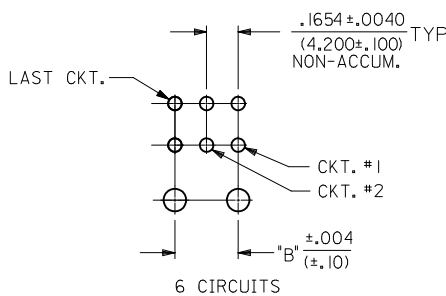
FINISHED PART LEGEND



NOTES:

- MATERIAL:
HOUSING: POLYESTER, UNFILLED, UL94 V-0, COLOR: SEE CHART
TERMINALS: BRASS
- TERMINAL PLATING:
5-.000100/(0.00254) MIN. MATTE TIN OVER
.000050/(0.00127) MIN. NICKEL
2-.000030/(0.00076) MIN. SELECT GOLD AND
.000100/(0.00254) MIN. SELECT MATTE TIN OVER
.000050/(0.00127) MIN. NICKEL OVERALL
- PRODUCT SPECIFICATION: PS-5556-003
- PACKAGING: BULK PER PK-30070-001
- PART MATES WITH MINI-FIT JR. TPA RECEPTACLE 30067.
- PARTS ARE NOT TO BE MATED OR UNMATED WHILE CIRCUITS ARE LIVE.
- DISCOLORATION ON THE BANDOLIER CARRIER AREA OF THE PIN IS ACCEPTABLE.
- PARTS CONFORM TO CLASS "B" REQUIREMENTS OF COSMETIC SPECIFICATION PS-45499-002.
- FORMING MARKS ARE ACCEPTABLE.
- PARTS ARE NOT DESIGNED FOR CURRENT SHARING.

OPTION 1 AND 3 PEG MOUNT SEE SHEET 2 FOR FLANGE MOUNT



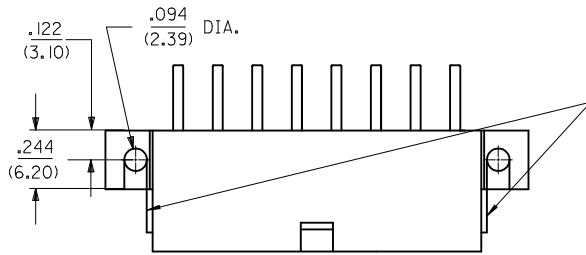
NOTE:
DIMENSIONS SHOWN IN THIS
VIEW ARE TYPICAL FOR ALL
P.C.B. CONFIGURATIONS FROM
6-16 CIRCUITS.

RECOMMENDED HOLE LAYOUT FOR .070/(1.78) MAX. P.C.BOARD VIEWED FROM COMPONENT SIDE OF BOARD

CHANGE PLATING EC NO: UCP2012-1560 DRWINHNGUYEN 2012/01/19 CHKD:JBELL 2012/01/19 APPR:FSMITH 2012/02/02	QUALITY SYMBOLS ▽=0 ▽=0 ▽=0	GENERAL TOLERANCES (UNLESS SPECIFIED)		DIMENSION STYLE IN/MM		SCALE 4:1	DESIGN UNITS METRIC	THIRD ANGLE PROJECTION
		mm	INCH	DRAWN BY TGREGORI	DATE 2006/03/28	MINI-FIT TPA RIGHT ANGLE HEADER ASSY		
		4 PLACES ±---	±---	CHECKED BY JCOMERCI	DATE 2006/03/28			
		3 PLACES ±---	±.010	APPROVED BY FSMITH	DATE 2010/04/09			
2 PLACES ±0.25	±.014	MATERIAL NO. SEE TABLE		DOCUMENT NO. SD-30070-001		SHEET NO. 1 OF 2		
1 PLACE ±0.36	±---	DRAFT WHERE APPLICABLE MUST REMAIN WITHIN DIMENSIONS		THIS DRAWING CONTAINS INFORMATION THAT IS PROPRIETARY TO MOLEX INCORPORATED AND SHOULD NOT BE USED WITHOUT WRITTEN PERMISSION				

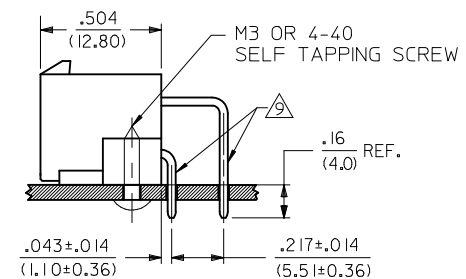
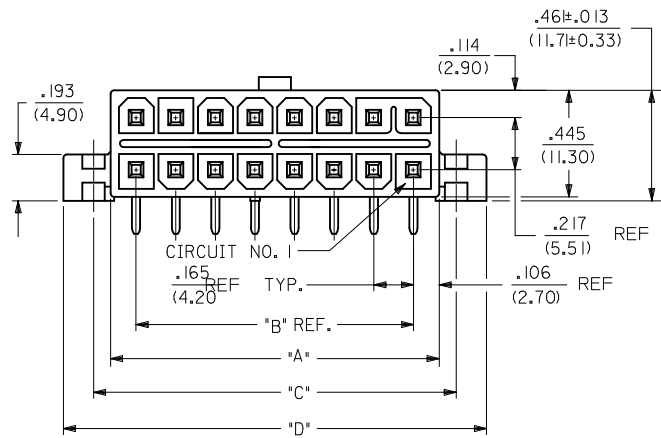
BLACK FLANGE MOUNT HEADERS

CKT. SIZE	PART NUMBER	PLATING	DIM. "A"	DIM. "B"	DIM. "C"	DIM. "D"
2	30070-0225	TIN	.213 (5.40)	—	.354 (9.00)	.606 (15.40)
	30070-0222	GOLD	.213 (5.40)	—	.354 (9.00)	.606 (15.40)
4	30070-0425	TIN	.378 (9.60)	.165 (4.20)	.520 (13.20)	.772 (19.60)
	30070-0422	GOLD	.378 (9.60)	.165 (4.20)	.520 (13.20)	.772 (19.60)
6	30070-0625	TIN	.543 (13.80)	.331 (8.40)	.685 (17.40)	.937 (23.80)
	30070-0622	GOLD	.543 (13.80)	.331 (8.40)	.685 (17.40)	.937 (23.80)
8	30070-0825	TIN	.709 (18.00)	.496 (12.60)	.850 (21.60)	1.102 (28.00)
	30070-0822	GOLD	.709 (18.00)	.496 (12.60)	.850 (21.60)	1.102 (28.00)
10	30070-1025	TIN	.874 (22.20)	.661 (16.80)	1.016 (25.80)	1.268 (32.20)
	30070-1022	GOLD	.874 (22.20)	.661 (16.80)	1.016 (25.80)	1.268 (32.20)
12	30070-1225	TIN	1.039 (26.40)	.827 (21.00)	1.181 (30.00)	1.433 (36.40)
	30070-1222	GOLD	1.039 (26.40)	.827 (21.00)	1.181 (30.00)	1.433 (36.40)
16	30070-1625	TIN	1.370 (34.80)	1.157 (29.40)	1.512 (38.40)	1.764 (44.80)
	30070-1622	GOLD	1.370 (34.80)	1.157 (29.40)	1.512 (38.40)	1.764 (44.80)

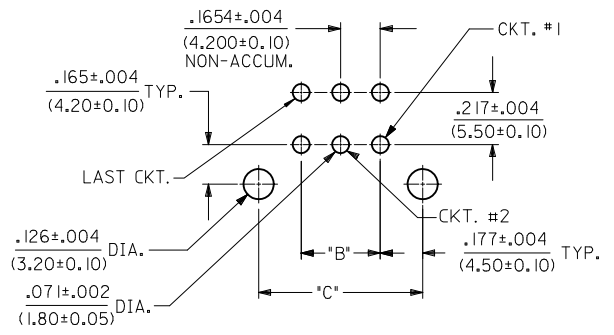
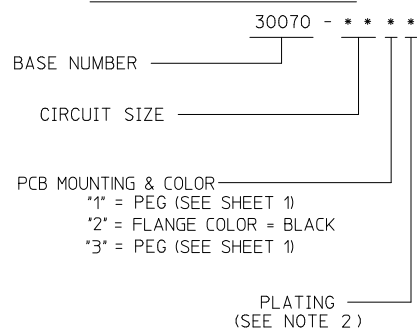


THIS FEATURE IS NOT PRESENT ON 12 AND 16 CIRCUIT PARTS.

OPTION 2 FLANGE MOUNT SEE SHEET 1 FOR PEG MOUNT



FINISHED PART LEGEND



RECOMMENDED HOLE LAYOUT FOR .070/(1.78) MAX. P.C. BOARD
VIEWED FROM COMPONENT SIDE OF BOARD

SEE SHEET 1 EC NO: UCP2012-1560 DRW: NGUYEN 2012/01/19 CHKD: J.BELL 2012/01/19 APPR: FSMITH 2012/02/02	QUALITY SYMBOLS ▽=0 ▽=0 ▽=0	GENERAL TOLERANCES (UNLESS SPECIFIED)	DIMENSION STYLE IN/MM		SCALE 4:1	DESIGN UNITS METRIC	THIRD ANGLE PROJECTION
		4 PLACES ± --- ± ---	mm	INCH	DRAWN BY TGREGORI	DATE 2006/03/28	MINI-FIT TPA RIGHT ANGLE HEADER ASSY
		3 PLACES ± --- ± .010			CHECKED BY JCOMERCI	DATE 2006/03/28	
		2 PLACES ± 0.25 ± .014			APPROVED BY FSMITH	DATE 2010/04/09	
		1 PLACE ± 0.36 ± ---	ANGULAR ± 1/2°		MATERIAL NO. SEE TABLE	DOCUMENT NO. SD-30070-001	SHEET NO. 2 OF 2
DRAFT WHERE APPLICABLE MUST REMAIN WITHIN DIMENSIONS		THIS DRAWING CONTAINS INFORMATION THAT IS PROPRIETARY TO MOLEX INCORPORATED AND SHOULD NOT BE USED WITHOUT WRITTEN PERMISSION					