

CIRCUIT SIZE	DIM. "A"	DIM. "B"	DIM. "C"	DIM. "D"
6	.54 (13.8)	.33 (8.4)	.807 (20.50)	.945 (24.00)
8	.71 (18.0)	.50 (12.6)	.972 (24.70)	1.110 (28.20)
10	.87 (22.2)	.66 (16.8)	1.138 (28.90)	1.276 (32.40)
12	1.04 (26.4)	.83 (21.0)	1.303 (33.10)	1.441 (36.60)
14	1.20 (30.6)	.99 (25.2)	1.469 (37.30)	1.606 (40.80)
16	1.37 (34.8)	1.16 (29.4)	1.643 (41.50)	1.772 (45.00)
18	1.54 (39.0)	1.32 (33.6)	1.799 (45.70)	1.937 (49.20)
20	1.70 (43.2)	1.49 (37.8)	1.965 (49.90)	2.102 (53.40)
22	1.87 (47.4)	1.65 (42.0)	2.130 (54.10)	2.268 (57.60)
24	2.03 (51.6)	1.82 (46.2)	2.295 (58.30)	2.433 (61.80)

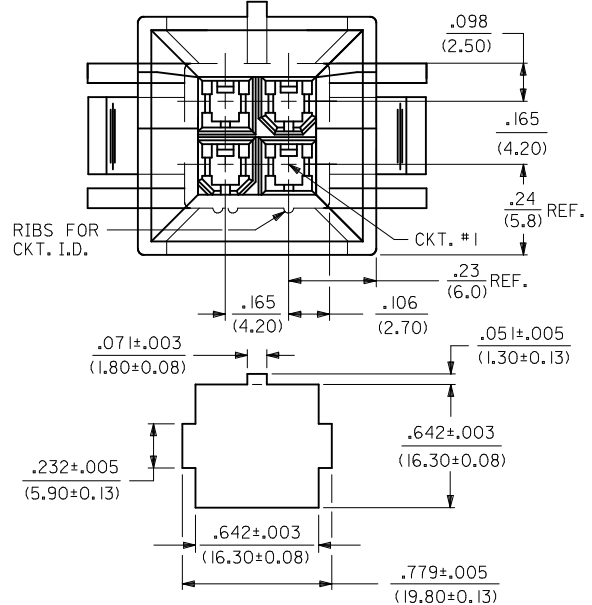
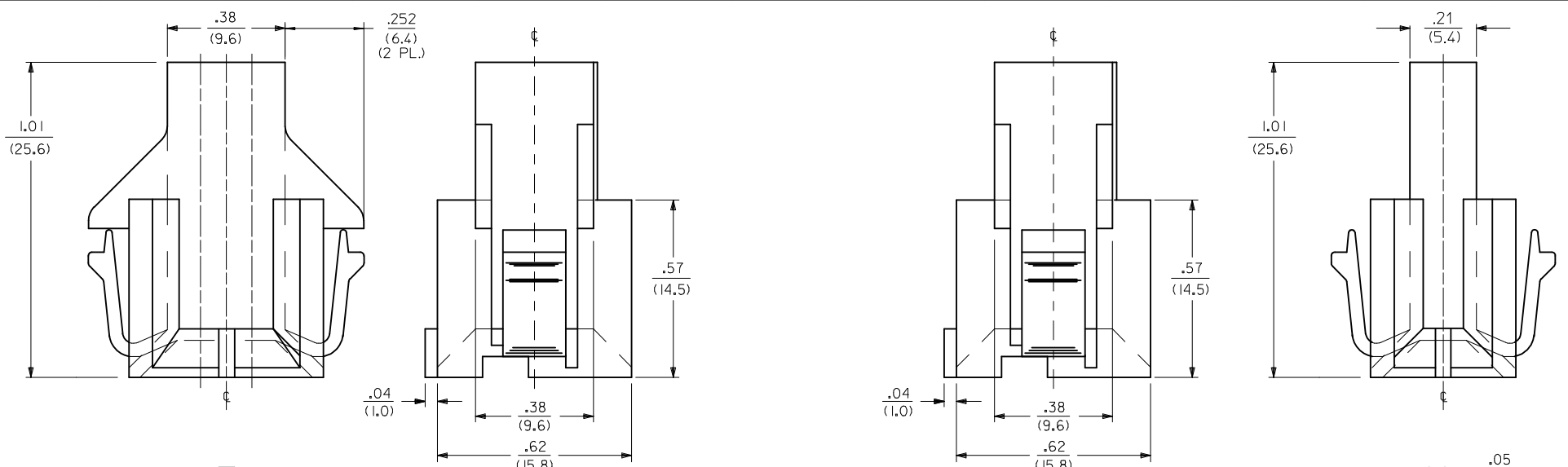
- NOTES:
- MATERIAL:
    - 1 = NYLON (PA6/6), UNFILLED, UL94 V-2, COLOR: NATURAL
    - 2 = NYLON (PA6/6), UNFILLED, UL94 V-0, COLOR: NATURAL
    - 3 = NYLON (PA6/6), UNFILLED, UL94 V-2, COLOR: BLACK
    - 4 = NYLON (PA6/6), UNFILLED, UL94 V-0, COLOR: BLACK
  - FINISH NOT APPLICABLE.
  - PRODUCT SPECIFICATION: PS-5556-002
  - PACKAGING SPECIFICATION: PK-42474-001
  - 6-24 CKT. PARTS MATE WITH MOLEX RECEPTACLES 5557, 42385 AND 42474. 2 AND 4 CKT. PARTS MATE WITH 42385 AND 42474 ONLY.
  - PART IS FOR USE WITH MALE TERMINAL #5558.
  - PART ALLOWS FOR UP TO .100/(2.54) MISALIGNMENT WITH MATING RECEPTACLE IN ANY DIRECTION. SEE MATING CONNECTOR DRAWINGS FOR SPECIFIC ALLOWANCES.
  - PANEL CUT-OUT TO BE PUNCHED IN THE SAME DIRECTION AS CONNECTOR INSERTION.
  - PART CONFORMS TO CLASS "B" REQUIREMENTS OF COSMETIC SPECIFICATION PS-45499-022.

- FOR MANUFACTURING EASE PARTS MAY HAVE OPTIONAL EJECTOR RIBS. SEE SHT. 3 FOR LOCATION.
- DIMENSION DOES NOT INCLUDE EJECTOR RIBS (SEE PAGE #3 FOR PARTS WITH RIBS, RIB DIMENSIONS AND LOCATION).
- IF THIS PRODUCT IS STORED IN AN ENVIRONMENT WITH A RELATIVE HUMIDITY OF LESS THAN 50%, MOISTURE MUST BE ADDED. REFER TO TECHNICAL ADVISORY AS-45499-001 FOR INSTRUCTIONS.
- INTERIOR RIB LOCATION MAY VARY.

- CONNECTOR ASSEMBLIES ARE NOT TO BE MATED OR UNMATED WHILE CIRCUITS ARE LIVE.
- WIRES ARE TO BE DRESSED IN SUCH A MANNER TO ALLOW THE TERMINALS TO FLOAT FREELY IN THE POCKET.
- PARTS MAY HAVE OPTIONAL GUSSET

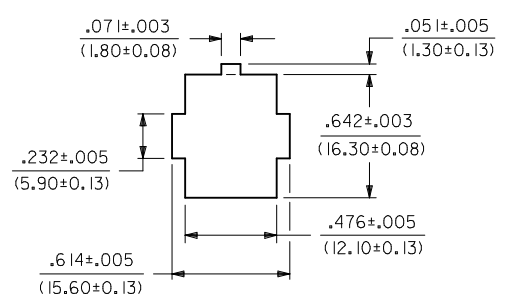
SEE SHEET 2 FOR 2 & 4 CKT. PARTS

UPDATE 18CKT RIBS EC NO: UCP2013-1918 DRWN:BBEE CHKD:JBELL APPR:FSMITH 2012/11/13 2012/11/13 2012/11/17	QUALITY SYMBOLS ∇=0 ∇=0 ∇=0	GENERAL TOLERANCES (UNLESS SPECIFIED) <table border="1"> <thead> <tr> <th></th> <th>mm</th> <th>INCH</th> </tr> </thead> <tbody> <tr> <td>4 PLACES</td> <td>± ---</td> <td>± ---</td> </tr> <tr> <td>3 PLACES</td> <td>± ---</td> <td>± .010</td> </tr> <tr> <td>2 PLACES</td> <td>± 0.25</td> <td>± .015</td> </tr> <tr> <td>1 PLACE</td> <td>± 0.38</td> <td>± ---</td> </tr> </tbody> </table>		mm	INCH	4 PLACES	± ---	± ---	3 PLACES	± ---	± .010	2 PLACES	± 0.25	± .015	1 PLACE	± 0.38	± ---	DIMENSION STYLE <b>IN/MM</b>	SCALE <b>4:1</b>	DESIGN UNITS <b>METRIC</b>	THIRD ANGLE PROJECTION	PLUG HOUSING B.M.I. 2-24 CIRCUITS MINI-FIT SERIES	MOLEX INCORPORATED	SHEET NO. 1 OF 4
				mm	INCH																			
4 PLACES	± ---	± ---																						
3 PLACES	± ---	± .010																						
2 PLACES	± 0.25	± .015																						
1 PLACE	± 0.38	± ---																						
DRAWN BY GEP DATE 1989/07/18	CHECKED BY RJF DATE 1989/07/18	APPROVED BY FSMITH DATE 2011/09/02	MATERIAL NO. <b>SEE SHEET 4</b>	DOCUMENT NO. <b>SD-42475-***1</b>																				
DRAFT WHERE APPLICABLE MUST REMAIN WITHIN DIMENSIONS		THIS DRAWING CONTAINS INFORMATION THAT IS PROPRIETARY TO MOLEX INCORPORATED AND SHOULD NOT BE USED WITHOUT WRITTEN PERMISSION																						



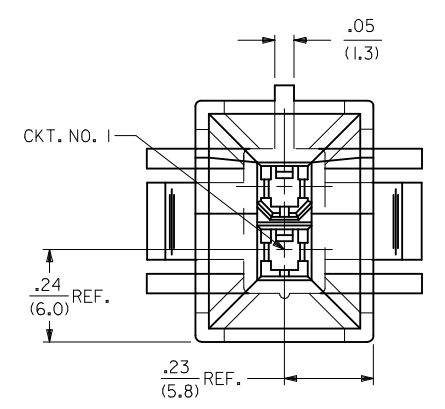
RECOMMENDED CUT-OUT FOR .063/(1.60)  
 MAX. THICK PANEL (4 CKT'S.)  
 SCALE: 2X

4 CKT.

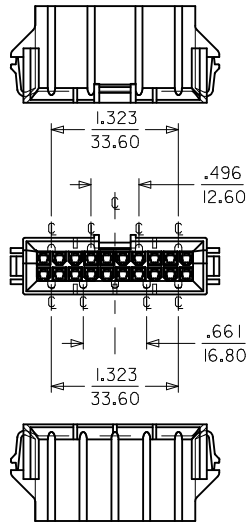


RECOMMENDED CUT-OUT FOR .063/(1.60)  
 MAX. THICK PANEL #1 (2 CKT'S.)  
 SCALE: 2X

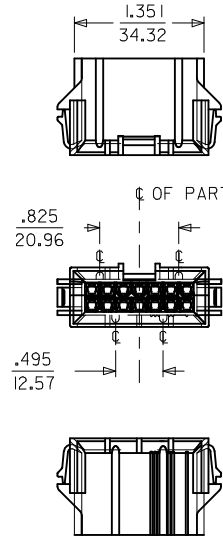
2 CKT.



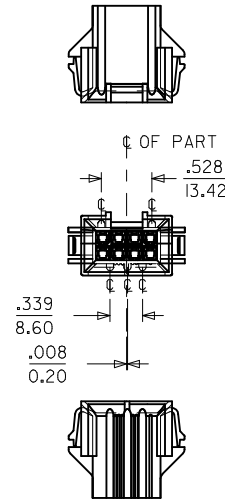
SEE SHEET 1 EC NO: UCP2013-1918 DRWN:BBEE 2012/11/13 CHKD:JBELL 2012/11/13 APPR:FSMITH 2012/11/27 S11	QUALITY SYMBOLS $\nabla = 0$ $\nabla = 0$ $\nabla = 0$	GENERAL TOLERANCES (UNLESS SPECIFIED) 4 PLACES $\pm$ --- $\pm$ --- 3 PLACES $\pm$ --- $\pm$ .010 2 PLACES $\pm$ .025 $\pm$ .015 1 PLACE $\pm$ 0.38 $\pm$ --- ANGULAR $\pm$ 1/2°	DIMENSION STYLE IN/MM DRAWN BY DATE GEP 1989/07/18 CHECKED BY DATE RJF 1989/07/18 APPROVED BY DATE FSMITH 2011/09/02	SCALE 4:1 DESIGN UNITS METRIC THIRD ANGLE PROJECTION	TITLE PLUG HOUSING B.M.I. 2-24 CIRCUITS MINI-FIT SERIES	MATERIAL NO. SEE SHEET 4 DOCUMENT NO. SD-42475-***1	SHEET NO. 2 OF 4	
	DRAFT WHERE APPLICABLE MUST REMAIN WITHIN DIMENSIONS		THIS DRAWING CONTAINS INFORMATION THAT IS PROPRIETARY TO MOLEX INCORPORATED AND SHOULD NOT BE USED WITHOUT WRITTEN PERMISSION		MOLEX MOLEX INCORPORATED			



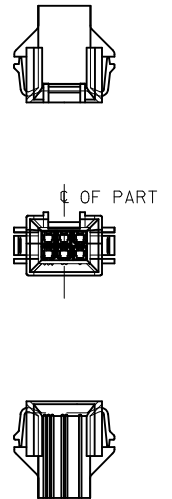
20 CIRCUIT



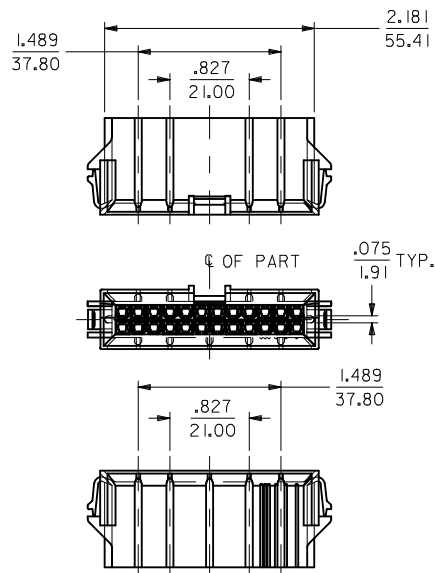
OR



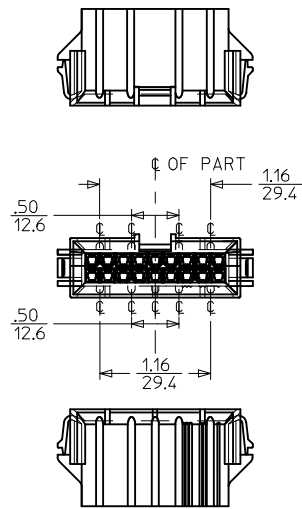
8 CIRCUIT



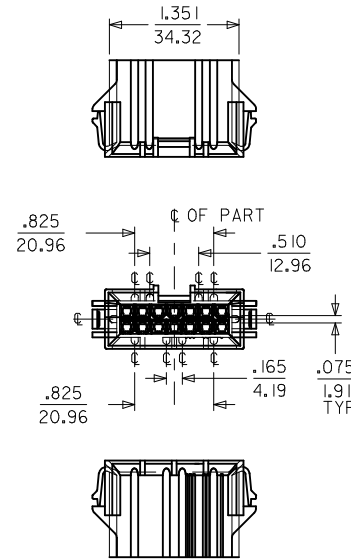
6 CIRCUIT



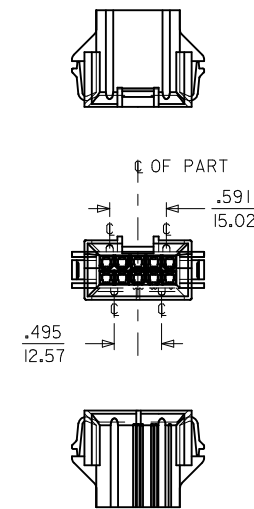
24 CIRCUIT



18 CIRCUIT



14 CIRCUIT



10 CIRCUIT

**NOTES:**

1) DIMENSIONS GIVEN ACROSS CENTERLINES ARE SYMMETRICAL ABOUT THOSE CENTERLINES WITHIN HALF THE TOTAL TOLERANCE.

SEE SHEET 1  
 IEC NO: UCP2013-1918  
 DRAWN:BBEE  
 CHKD:JBELL  
 APPR:FSMITH  
 2012/11/13  
 2012/11/13  
 2012/11/27

REV	DESCRIPTION
1	QUALITY SYMBOLS
2	QUALITY SYMBOLS
3	QUALITY SYMBOLS

GENERAL TOLERANCES (UNLESS SPECIFIED)

	mm	INCH
4 PLACES	± .010	± .0004
3 PLACES	± .015	± .0006
2 PLACES	± 0.25	± .010
1 PLACE	± 0.38	± .015

ANGULAR ±1/2°

DRAFT WHERE APPLICABLE MUST REMAIN WITHIN DIMENSIONS

DIMENSION STYLE: IN/MM

SCALE: 1:1

DESIGN UNITS: METRIC

THIRD ANGLE PROJECTION

DRAWN BY: GEP DATE: 1989/07/18

CHECKED BY: RJF DATE: 1989/07/18

APPROVED BY: FSMITH DATE: 2011/09/02

MATERIAL NO. SEE SHEET 4

TITLE: PLUG HOUSING B.M.I. 2-24 CIRCUITS MINI-FIT SERIES

MOLEX INCORPORATED

DOCUMENT NO. SD-42475-\*\*\*1

SHEET NO. 3 OF 4

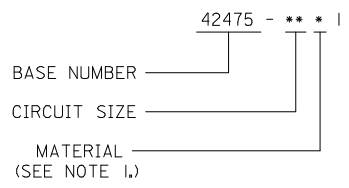
THIS DRAWING CONTAINS INFORMATION THAT IS PROPRIETARY TO MOLEX INCORPORATED AND SHOULD NOT BE USED WITHOUT WRITTEN PERMISSION

13	12	11	10	9	8	7	6	5	4	3	2	1
PART NUMBER	ENG. NUMBER	CKT. SIZE	MATERIAL (SEE NOTE 1.)	PART NUMBER	CKT. SIZE	MATERIAL (SEE NOTE 1.)						
							42475-***2I, 5558-GS*	42474-***2I, 5556-PBGS*P	94V-0			
							42475-***1I, 5558-GS*	42474-***1I, 5556-PBGS*P	94V-2	PHOS. BRZ.	GOLD	
							42475-***2I, 5558-GS*	42474-***2I, 5556-GS*P	94V-0			
							42475-***1I, 5558-GS*	42474-***1I, 5556-GS*P	94V-2	BRASS	GOLD	
							42475-***2I, 5558-PBS*	42474-***2I, 5556-PBS*P	94V-0			
							42475-***1I, 5558-PBS*	42474-***1I, 5556-PBS*P	94V-2	PHOS. BRZ.	TIN	
							42475-***2I, 5558-S*	42474-***2I, 5556-S*P	94V-0			
							42475-***1I, 5558-S*	42474-***1I, 5556-S*P	94V-2	BRASS	TIN	
							42475-***2I, 5558-GS*	A-42385-***D2	94V-0			
							42475-***1I, 5558-GS*	A-42385-***C2	94V-2	PHOS. BRZ.	GOLD	
							42475-***2I, 5558-GS*	A-42385-***B2	94V-0			
							42475-***1I, 5558-GS*	A-42385-***A2	94V-2	BRASS	GOLD	
							42475-***2I, 5558-PBS*	A-42385-***D1	94V-0			
							42475-***1I, 5558-PBS*	A-42385-***C1	94V-2	PHOS. BRZ.	TIN	
							42475-***2I, 5558-S*	A-42385-***B1	94V-0			
							42475-***1I, 5558-S*	A-42385-***A1	94V-2	BRASS	TIN	
							PLUG HOUSING/ MALE TERMINAL	MATING CONNECTOR	HSG. MAT'L. MATING CONNECTOR FEATURES	TERM. MAT'L.	PLATING	

O = OBSOLETE

O = OBSOLETE

LEGEND:



<b>SEE SHEET 1</b> EC NO: UCP2013-1918 DRWN:BBEE CHKD:JBELL APPR:FSMITH 2012/11/13 2012/11/13 2012/11/27	QUALITY SYMBOLS ▽=0 ▽=0 ▽=0	GENERAL TOLERANCES (UNLESS SPECIFIED) <table border="1"> <tr> <th></th> <th>mm</th> <th>INCH</th> </tr> <tr> <td>4 PLACES ±</td> <td>---</td> <td>---</td> </tr> <tr> <td>3 PLACES ±</td> <td>---</td> <td>±.010</td> </tr> <tr> <td>2 PLACES ±</td> <td>0.25</td> <td>±.015</td> </tr> <tr> <td>1 PLACE ±</td> <td>0.38</td> <td>±---</td> </tr> </table>		mm	INCH	4 PLACES ±	---	---	3 PLACES ±	---	±.010	2 PLACES ±	0.25	±.015	1 PLACE ±	0.38	±---	DIMENSION STYLE <b>IN/MM</b> DRAWN BY: GEP DATE: 1989/07/18 CHECKED BY: RJF DATE: 1989/07/18 APPROVED BY: FSMITH DATE: 2011/09/02	SCALE: 1:1 DESIGN UNITS: METRIC THIRD ANGLE PROJECTION	TITLE: <b>PLUG HOUSING B.M.I.          2-24 CIRCUITS          MINI-FIT SERIES</b>
		mm	INCH																	
	4 PLACES ±	---	---																	
	3 PLACES ±	---	±.010																	
2 PLACES ±	0.25	±.015																		
1 PLACE ±	0.38	±---																		
DRAFT WHERE APPLICABLE MUST REMAIN WITHIN DIMENSIONS		MATERIAL NO. SEE CHART DOCUMENT NO. SD-42475-***1	SHEET NO. 4 OF 4																	
THIS DRAWING CONTAINS INFORMATION THAT IS PROPRIETARY TO MOLEX INCORPORATED AND SHOULD NOT BE USED WITHOUT WRITTEN PERMISSION																				