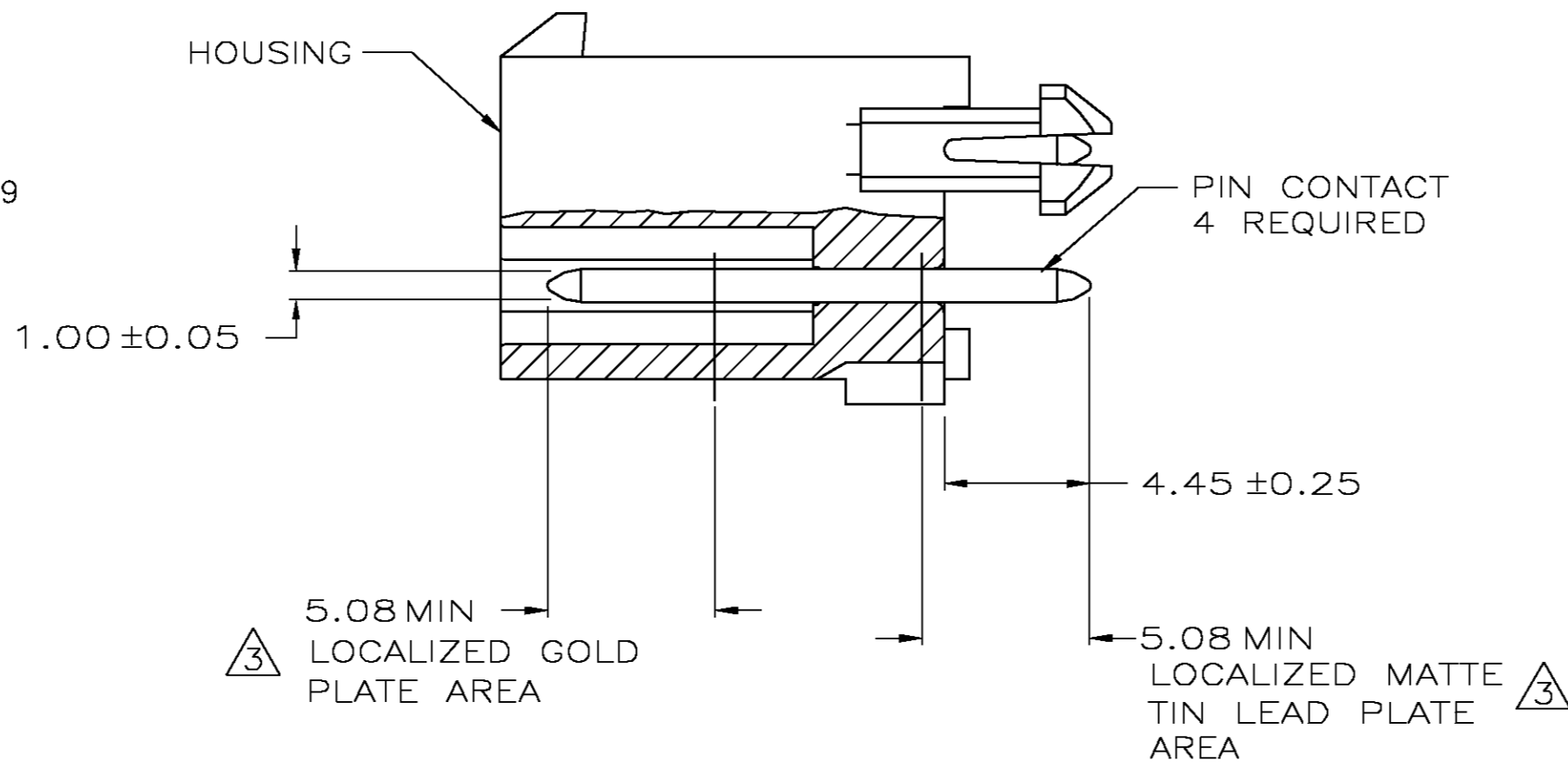
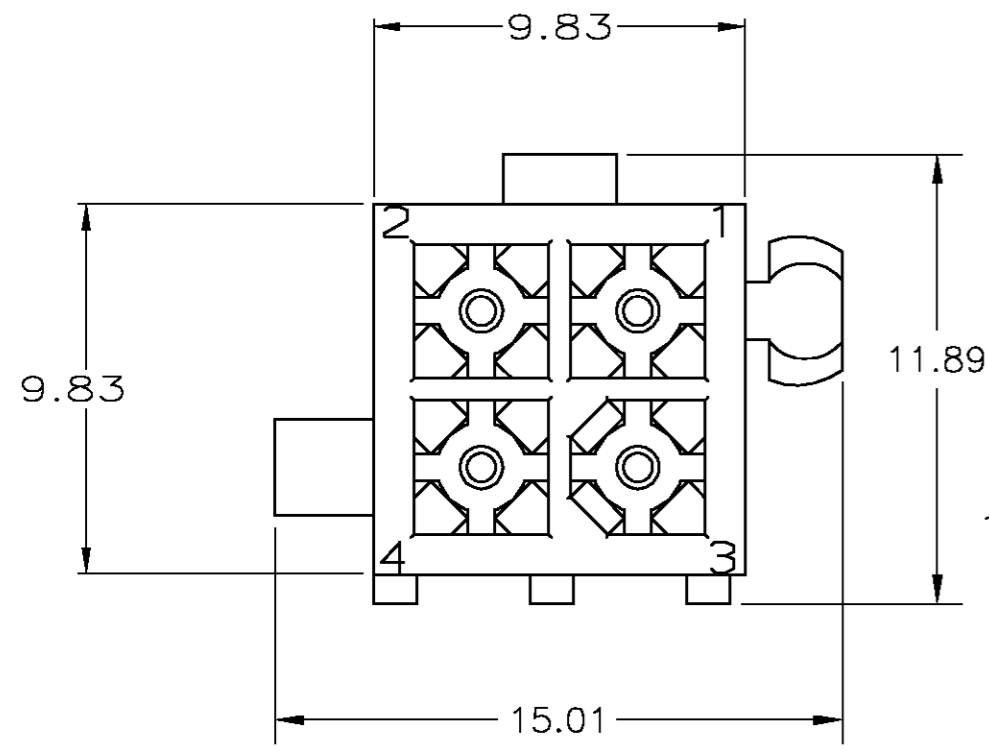
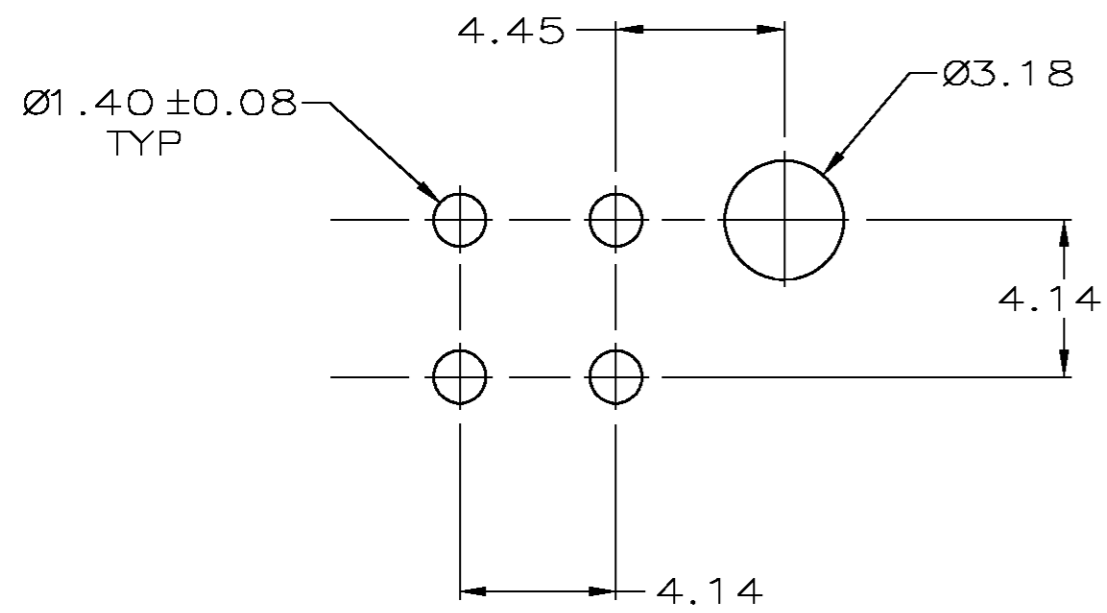


THIS DRAWING IS UNPUBLISHED. RELEASED FOR PUBLICATION
 © COPYRIGHT BY TYCO ELECTRONICS CORPORATION. ALL RIGHTS RESERVED.

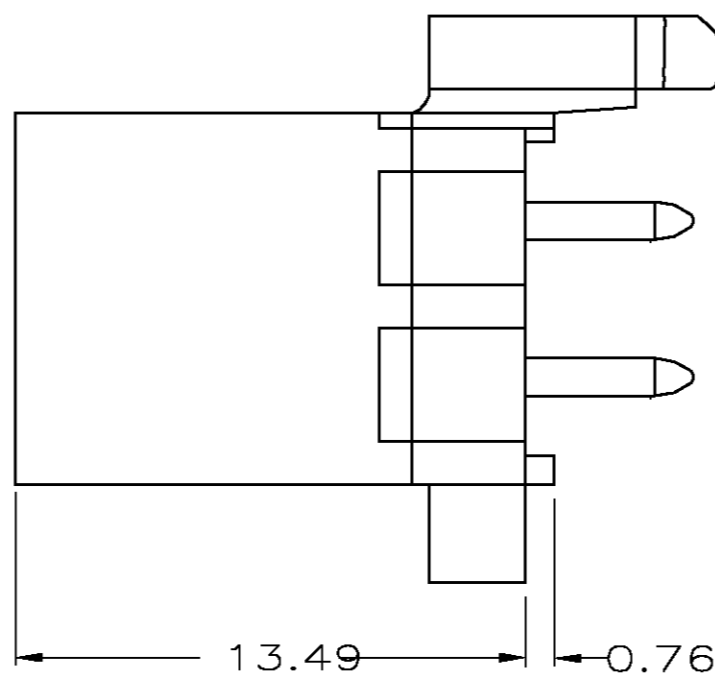
LOC	DIST	REVISIONS			
P	LTR	DESCRIPTION	DATE	DWN	APVD
CM	00	REV PER ECN 0G3B-03B2-03	28JUL03	SC	CJ



- PINS TO COMPLY WITH AMP SOLDERABILITY SPEC. 109-11-3.
- 0.00381 MIN MATTE TIN LEAD PLATE OVER 0.00127 MIN NICKEL.
- 0.00076 MIN GOLD PLATE IN THE LOCALIZED PLATE AREA, 0.00381 MATTE TIN LEAD IN THE LOCALIZED PLATE AREA, BOTH OVER 0.00127 MIN NICKEL.
- 0.00381 MIN MATTE TIN PLATE OVER 0.00127 MIN NICKEL.



RECOMMENDED LAYOUT FOR 1.57 THICK BOARD
 TOLERANCES NON-ACCUMULATIVE



MM	IN	MM	IN
1.00	.039	-	-
0.76	.030	13.49	.531
0.25	.010	9.83	.387
0.13	.005	5.08	.200
0.08	.003	4.45	.175
0.05	.002	4.14	.163
0.00381	.000150	3.18	.125
0.00127	.000050	1.57	.062
0.00076	.000030	1.40	.055

CONVERSION TABLE

METRIC

BRASS, TIN	△4	NYLON, UL94V-0	WHITE	1-770174-0
BRASS, GOLD	△3	NYLON, UL94V-0	WHITE	770174-2
BRASS, TIN-LEAD	△2	NYLON, UL94V-0	WHITE	770174-1
MATERIAL	FINISH	MATERIAL	COLOR	PART NO.

THIS DRAWING IS A CONTROLLED DOCUMENT.		DWN S. CARPENTER 28JUL2003	Tyco Electronics Corporation Harrisburg, PA 17105	
DIMENSIONS: INCHES		CHK C. JONES 28JUL2003	NAME C. JONES 28JUL2003	
TOLERANCES UNLESS OTHERWISE SPECIFIED: 0 PLC ± 1 PLC ± 2 PLC ± 0.13 3 PLC ± 4 PLC ± ANGLES ± 0°30'		APVD C. JONES 28JUL2003	PRODUCT SPEC	
MATERIAL SEE TABLE		FINISH SEE TABLE	APPLICATION SPEC	
WEIGHT		SIZE A2	CAGE CODE 00779	DRAWING NO C=770174
CUSTOMER DRAWING		SCALE 5:1	SHEET 1 OF 1	REV K

CUSTOMER DRAWING

770174

B

A

A/C BUSINESS GROUP 3323 177-34 LARRY H. SMITH