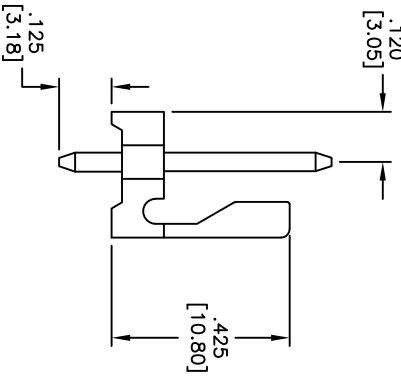
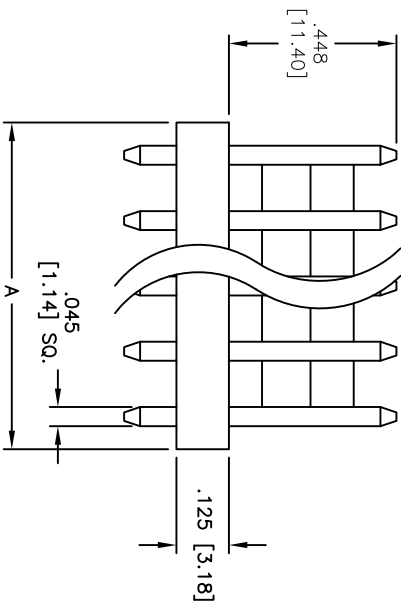
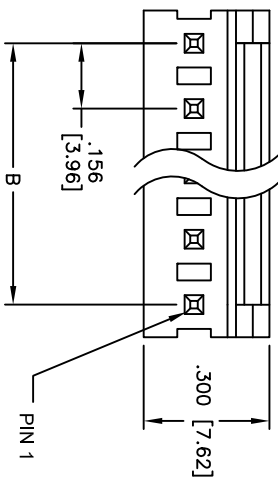


Rev	AWO #	Description	Date	Appr
-		RELEASED	1/14/09	

APPROVED: \_\_\_\_\_  
 DATE: \_\_\_\_\_ TITLE: \_\_\_\_\_



Positions: 2 thru 20  
 A = .156 [3.96] x No. of Positions  
 B = .156 [3.96] x No. of Spaces

**SPECIFICATIONS:**  
 Material: Nylon PA66, rated UL 94V-0  
 Insulator color: White  
 Electrical:  
 Operating voltage: 250 VAC max  
 Current rating: 7 Amps max  
 Insulation resistance: 1,000 Mohms min  
 Dielectric withstanding voltage: 1,000 VAC for 1 minute  
 Temperature Rating:  
 Operating temperature: -40°C to +85°C  
 Environmental:  
 Lead free, RoHS compliant  
 Recommended soldering temp: 235°C for 5 seconds

UNLESS OTHERWISE SPECIFIED ALL DIMENSIONS ARE INCHES [MM]	
TOLERANCES: EXCEPT AS NOTED	
INCHES	HOLDS
.X ± .10	ØXX ± .10
.XX ± .020	ØXXX ± .015
.XXX ± .015	ØXXXX ± .010
APPROVALS	DATE
DRAWN	SS
CHECKED	1/4/09
APPROVED	

**ADAM TECH**  
 909 Rahway Avenue, Union, NJ 07083  
 Phone: 908-687-5000 Fax: 908-687-5710

TITLE	.156 [3.96] HEADER, STRAIGHT	
SIZE	PART NO.	REV.
X	LHD-XX-TS-V0	-
REF:	SCALE: NTS	SHEET 1 OF 1