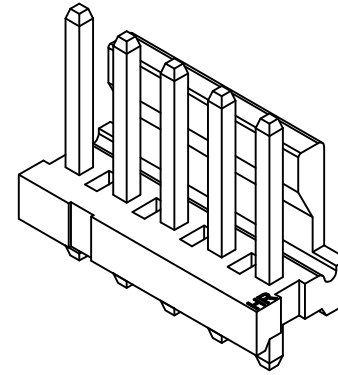


P.C.B LAYOUT



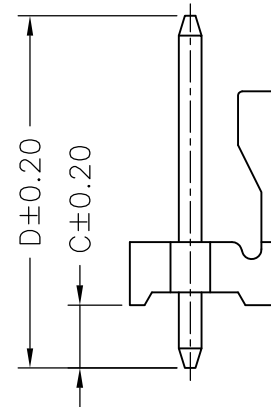
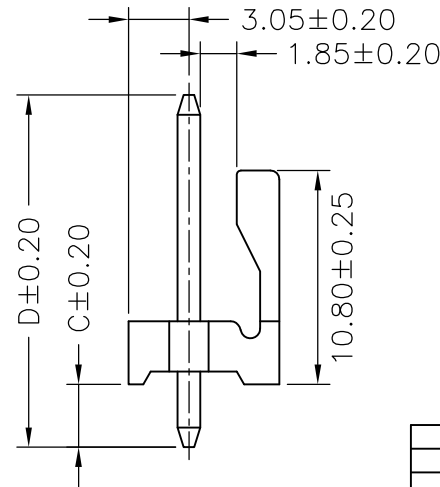
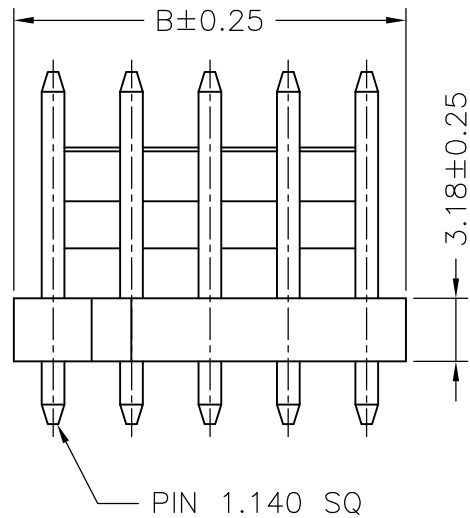
Ordering code

A3963										WV	XP	N	0	W	T1	N	XX	G	
①	②	③	④	⑤	⑥	⑦	⑧	⑨	⑩										
① Series No.																			
② Connector type: WV=Vertical																			
③ No. of circuits																			
④ N=Halogen Free																			
⑤ Material: 0=Nylon 66-V0																			
⑥ Color: W=White																			
⑦ Plating code for contacts: T1=Tin-plated																			
⑧ Plating code: N=Non-plating																			
⑨ Option code:																			
00=Dim. C:3.18mm, D:17.80mm(Standard)																			
Y1=Dim. C:4.45mm, D:19.05mm																			
⑩ Packing code: G=Bag																			

SPECIFICATIONS

Current Rating: 7A AC,DC  
 Voltage Rating: 600V AC,DC  
 Temperature Range: -25°C ~ +85°C  
 Contact Resistance: 3mΩ Max.  
 Insulation Resistance: 5000MΩ Min.  
 Withstanding Voltage: 2200V AC/minute  
 Pin Material: Brass/Tin-plated  
 Material: Nylon 66,UL94V-0  
 Color: Natural(White)

Circuit No.	Dimensions		Circuit No.	Dimensions	
	A	B		A	B
02P	3.96	7.92	12P	43.56	47.52
03P	7.92	11.88	13P	47.52	51.48
04P	11.88	15.84	14P	51.48	55.44
05P	15.84	19.80	15P	55.44	59.40
06P	19.80	23.76	16P	59.40	63.36
07P	23.76	27.72	17P	63.36	67.32
08P	27.72	31.68	18P	67.32	71.28
09P	31.68	35.64	19P	71.28	75.24
10P	35.64	39.60	20P	75.24	79.20
11P	39.60	43.56			



燦達電子工業股份有限公司 JOINT TECH ELECTRONIC IND. CO., LTD.					
UNIT	SCALE	SHEET	TITLE:		
mm		1 of 1			
DRAWN BY		APPROVED BY		3.96mm PITCH 180° WAFER	
歐陽小強		謝瑞清			
2008.09.30		2008.09.30			
GENERAL TOLERANCE					
A1	EN1001190044	2010.01.19	X. X±0.25	DRAW NO. : A3963WV-XPNXXXXXXXXX	
A0	NEW RELEASE	2008.09.30	X. XX±0.15		
REV.	DESCRIPTION	DATE	X. XXX±0.05		
				ANGLE±	REV. A1